

OCR10-M14407EN

P R E F A C E

1. This Parts Catalog develops Model 3HM35, 3HM35C & 3HM35F engines.

2. This Parts Catalog Covers all parts of engines massproduced since May, 1984.

3. Specification and Model Code.

Model	Specification	Cooling System	Model Code
3HM35	Marine main engine	Sea water cooling	128671 (N,G)
3HM35C	For sail drive		128671 E
3HM35F	Marine main engine	Fresh water cooling	128691 (N,G)

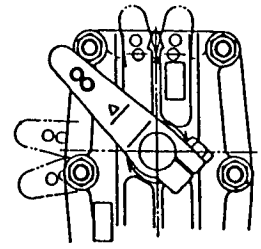
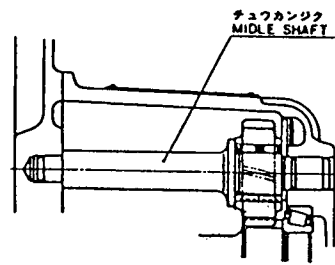
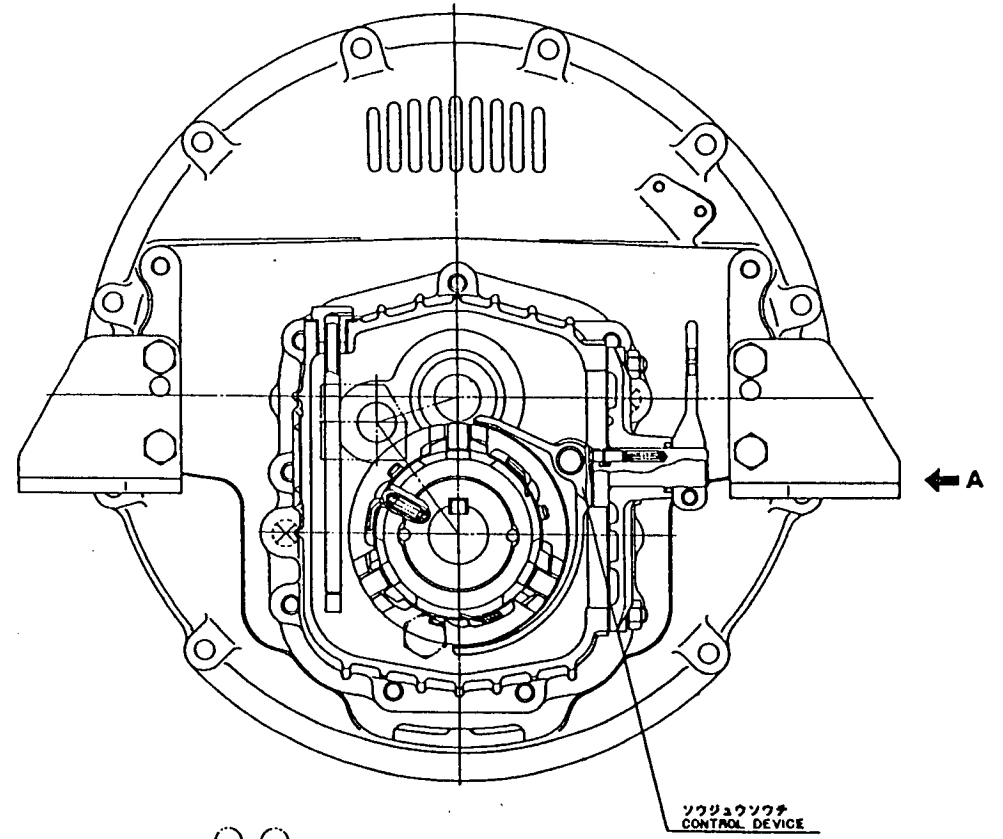
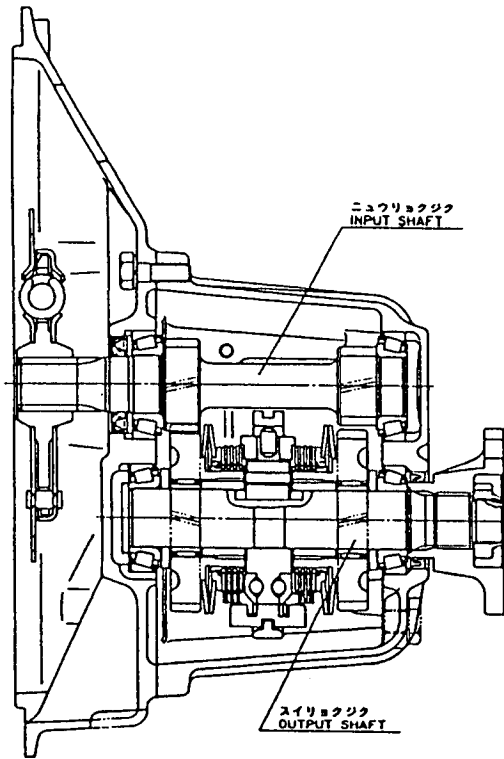
4. Parts of Sail Drive are not listed in this Parts Catalog. For these Parts, please refer to the separate volume "SD20/SD30 Sail Drive Parts Catalog" (Pub.No.000YEOF1291)

5. Engine Painting Color.....Urethane Metallic Echol Silver

Replacement parts painted in Metallic Echol Silver are supplied.

<u>Parts No.</u>	<u>Description</u>
977620-10070	1 l (can)
977620-40070	4 l (can)
977620-30071	Spray, one

KBW10-E ダンメンズ
SECTIONAL VIEW



AB 114
VIEWED FROM A

Contents

OCR10-M14407

Fig. No.	Fig. Name
3HM35(C.F) STANDARD PARTS	
1.	CYLINDER BLOCK
2.	CYLINDER BLOCK
3.	GEARS HOUSING
4.	LUB. OIL SUMP
5.	FLYWHEEL HOUSING
6.	MAIN BEARING HOUSING
7.	CAMSHAFT BEARING
8.	DECOMPRESSION
9.	BREATHER
10.	LABELS
11.	ENGINE LIFTER
12.	ENGINE LIFTER
13.	ENGINE BRACKET
14.	ENGINE BRACKET
15.	FLEXIBLE MOUNT
16.	ANTI-CORROSIVE ZINC
17.	CYLINDER HEAD
18.	CYLINDER HEAD
19.	BONNET
20.	SUCTION SILENCER
21.	EXHAUST MANIFOLD
22.	MIXING ELBOW
23.	CAMSHAFT
24.	CRANKSHAFT & FLYWHEEL

Fig. No.	Fig. Name
25.	CRANKSHAFT & FLYWHEEL
26.	PISTON
27.	CONNECTING ROD
28.	LUB. OIL PUMP
29.	LUB. OIL DIPSTICK
30.	LUB. OIL STRAINER
31.	LUB. OIL PRESS. REGULATING VALVE
32.	LUB. OIL PIPE
33.	COOLING SEA WATER PUMP
34.	COOLING FRESH WATER PUMP
35.	COOLING FRESH WATER COOLER
36.	SUB-TANK
37.	COOLING WATER PIPE
38.	COOLING WATER PIPE
39.	THERMOSTAT
40.	THERMOSTAT
41.	COOLING WATER PIPE
42.	FUEL INJECTION PUMP
43.	FUEL FEED PUMP
44.	FUEL INJECTION VALVE
45.	FUEL STRAINER
46.	FUEL INJECTION PIPE
47.	FUEL INJECTION PIPE
48.	FUEL PIPE
49.	FUEL PIPE

Contents

OCR10-M14407

Fig. No. Fig. Name

- 50. FUEL RETURN PIPE
- 51. GOVERNOR DRIVING
- 52. CONTROL DEVICE
- 53. IDLE ADJUSTER
- 54. FUEL INJECTION CONTROLLER
- 55. ENGINE STOP DEVICE
- 56. SPEED REMOTE CONTROL
- 57. STARTING MOTOR
- 58. GENERATOR
- 59. GENERATOR
- 60. WIRE HARNESS
- 61. CLUTCH
- 62. DAMPER DISK
- 63. CLUTCH REMOTE CONTROL
- 64. TOOLS
- 65. SPECIAL TOOLS
- 66. STARTING MOTOR INNER PARTS
- 67. GENERATOR INNER PARTS

3HM35(C.F) OPTIONAL PARTS

- 68. MIXING ELBOW
- 69. MIXING ELBOW
- 70. LUB. OIL WASTE PUMP
- 71. BILGE PUMP 12V
- 72. KINGSTON COCK

Fig. No. Fig. Name

- 73. FUEL TANK
- 74. ENGINE STOP CABLE
- 75. BATTERY SWITCH
- 76. TAPER COUPLING
- 77. COUPLING
- 78. STRAIGHT COUPLING
- 79. SLIT COUPLING
- 80. SINGLE LEVER CONTROL
- 81. INSTRUMENT PANEL
- 82. INSTRUMENT PANEL
- 83. INSTRUMENT PANEL
- 84. EXTENSION WIRE
- 85. REPAIR SET
- 86. REPAIR SET
- 87. GASKET SET

CLUTCH INNER PARTS

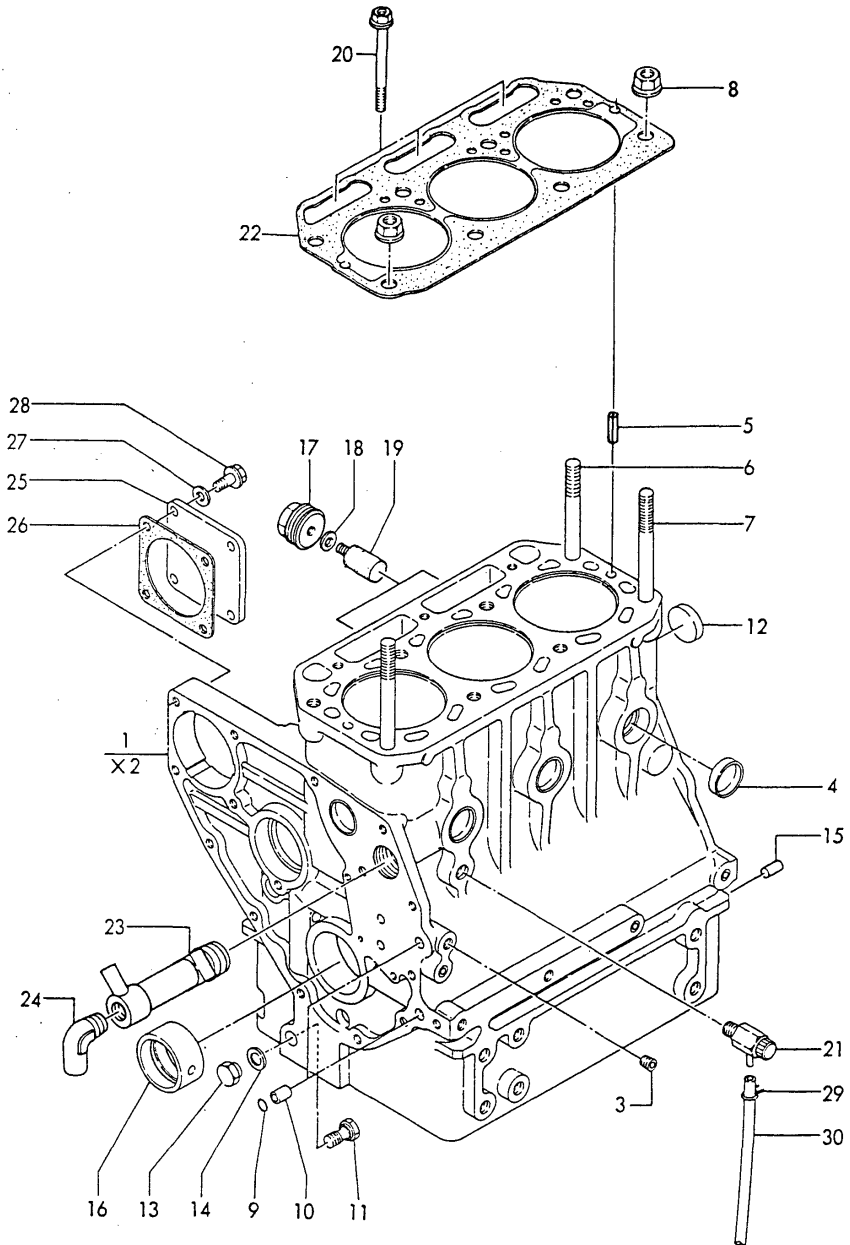
- 88. CLUTCH HOUSING
- 89. INPUT SHAFT & IDLE GEAR SHAFT
- 90. OUTPUT SHAFT
- 91. REMOTE CONTROL DEVICE
- 92. TOOLS(OPTIONAL PARTS)

Fig.1. CYLINDER BLOCK

(A)=3HM35
(B)=3HM35C
(C)=3HM35F

(D)=
(E)=
(F)=

Fig. 1 シリンダブロック
CYLINDER BLOCK



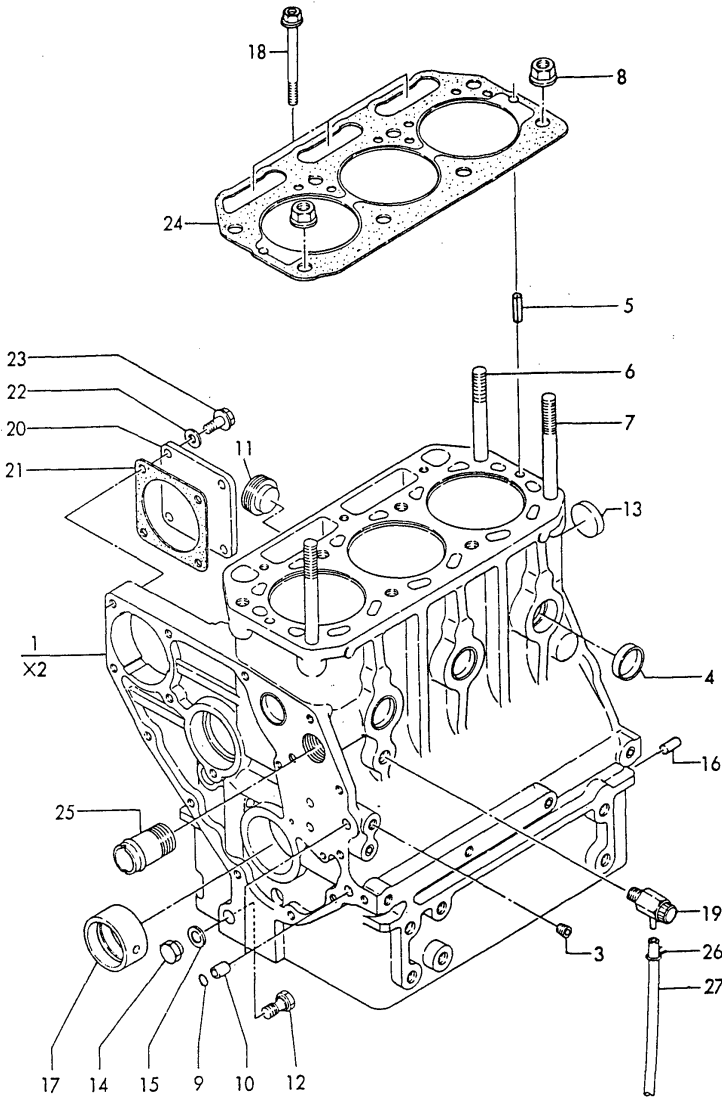
No.	Lev.	Parts No.	Description	Q'ty						I	R
				(A)	(B)	(C)	(D)	(E)	(F)		
1	1	728671-01560	BLOCK ASSY, CYLINDER	1	1						
3	2	124060-01050	PLUG, PT1/8	7	7						
4	2	105311-01090	PLUG, 30	5	5						
5	2	22351-060012	PIN, SPRING 6.0X12	2	2						
6	2	121575-01200	BOLT, HEAD	6	6						
7	2	121450-01210	BOLT, HEAD	2	2						
8	2	121450-01220	NUT, CYLINDER HEAD	8	8						
9	2	24311-000100	O-RING, 1AP10.0	2	2						
10	2	124085-01900	GUIDE	1	1						
11	2	124500-01950	BOLT	1	1						
12	2	27243-300000	PLUG, 30	1	1						
13	2	121550-35100	NUT, CAP PF1/4	1	1						
14	2	121550-35111	GASKET, 18	1	1						
15	2	*REF. 5= 2	PARALLEL PIN 8X16	2	2						
16	2	*REF. 6=15	MAIN BEARING	1	1						
17	2	*REF. 16= 1	PLUG NPTF1	2	2						
18	2	*REF. 16= 2	GASKET, ZINC	2	2						
19	2	*REF. 16= 5	ZINC, ANTI-CORROSIVE	2	2						
20	1	129350-01230	BOLT, HEAD	3	3						
21	1	120130-49350	COCK, 1/4	1	1						
22	1	128671-01330	GASKET, HEAD	1	1						
23	1	128670-01450	JOINT	1	1						
24	1	124070-13300	ELBOW, PT3/8	1	1						
25	1	124240-01871	COVER	1	1						
26	1	124240-01882	GASKET	1	1						
27	1	23414-080000	GASKET, 8X1.0	4	4						
28	1	26106-080142	BOLT, M8X 14 PLATED	4	4						
29	1	124460-77680	RETAINER	1	1						
30	1	23061-070200	PIPE, 7X 200	1	1						

Fig.2. CYLINDER BLOCK

(A)=3HM35
(B)=3HM35C
(C)=3HM35F

(D)=
(E)=
(F)=

Fig.2 シリンダブロック
CYLINDER BLOCK



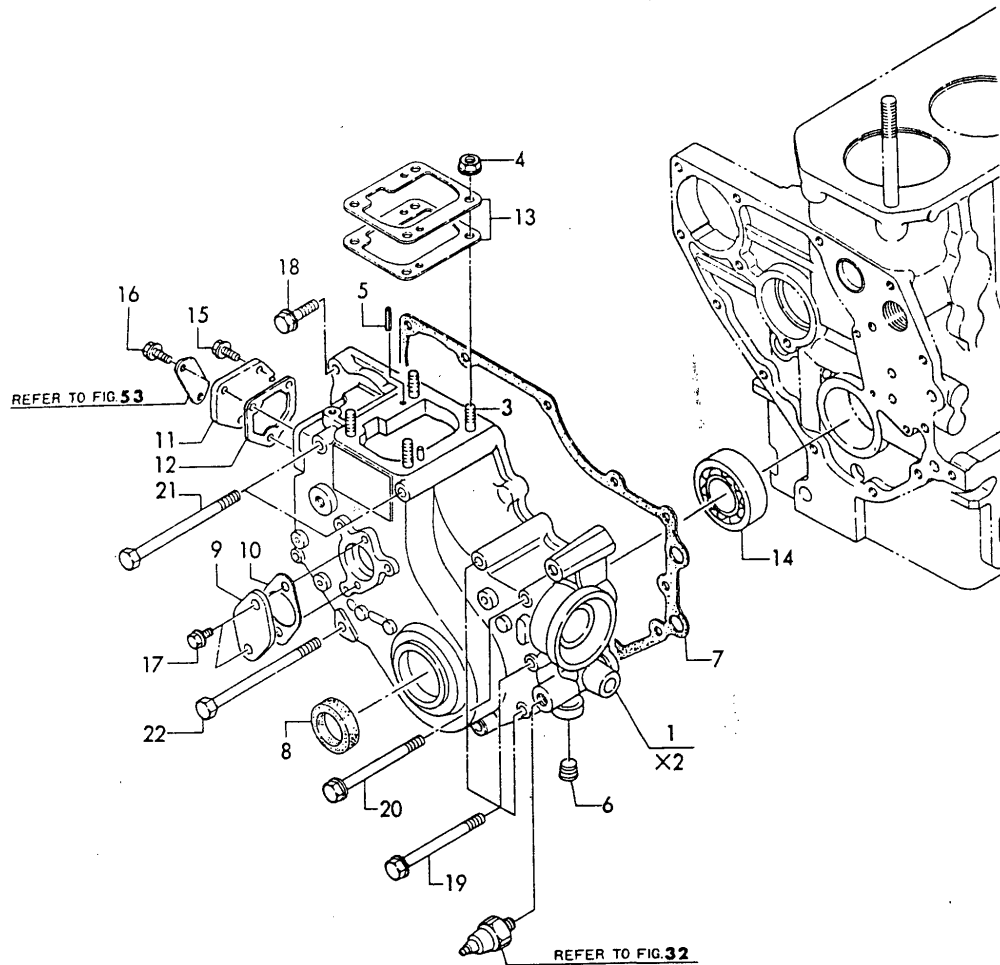
No.	Lev.	Parts No.	Description	Qty						I	R	
				(A)	(B)	(C)	(D)	(E)	(F)			
1	1	728671-01560	BLOCK ASSY, CYLINDER			1						A
3	2	124060-01050	PLUG, PT1/8			7						
4	2	105311-01090	PLUG, 30			5						
5	2	22351-060012	PIN, SPRING 6.0X12			2						
6	2	121575-01200	BOLT, HEAD			6						
7	2	121450-01210	BOLT, HEAD			2						
8	2	121450-01220	NUT, CYLINDER HEAD			8						
9	2	24311-000100	O-RING, 1AP10.0			2						
10	2	124085-01900	GUIDE			1						
11	2	171051-01921	PLUG, NPTF1			2						
12	2	124500-01950	BOLT			1						
13	2	27243-300000	PLUG, 30			1						
14	2	121550-35100	NUT, CAP PF1/4			1						
15	2	121550-35111	GASKET, 18			1						
16	2	*REF. 5= 2	PARALLEL PIN 8X16			2						
17	2	*REF. 6=15	MAINBEARING			1						
18	1	129350-01230	BOLT, HEAD			3						
19	1	120130-49350	COCK, 1/4			1						
20	1	124240-01871	COVER			1						
21	1	124240-01882	GASKET			1						
22	1	23414-080000	GASKET, 8X1.0			4						
23	1	26106-080142	BOLT, M8X 14 PLATED			4						
24	1	128671-01330	GASKET, HEAD			1						
25	1	124160-49480	JOINT, PIPE			1						
26	1	124460-77680	RETAINER			1						
27	1	23061-070200	PIPE, 7X 200			1						

Remarks

A)CYLINDER BLOCK ASSY OF MODEL 3HM35F IS SUPPLIED AS MODEL 3HM35. ALTHOUGH COMPONENT PARTS ARE PARTLY DIFFERET, BUT INTERCHANGEABLE.

Fig.3. GEARS HOUSING

Fig. 3 ギヤケース
GEARS HOUSING



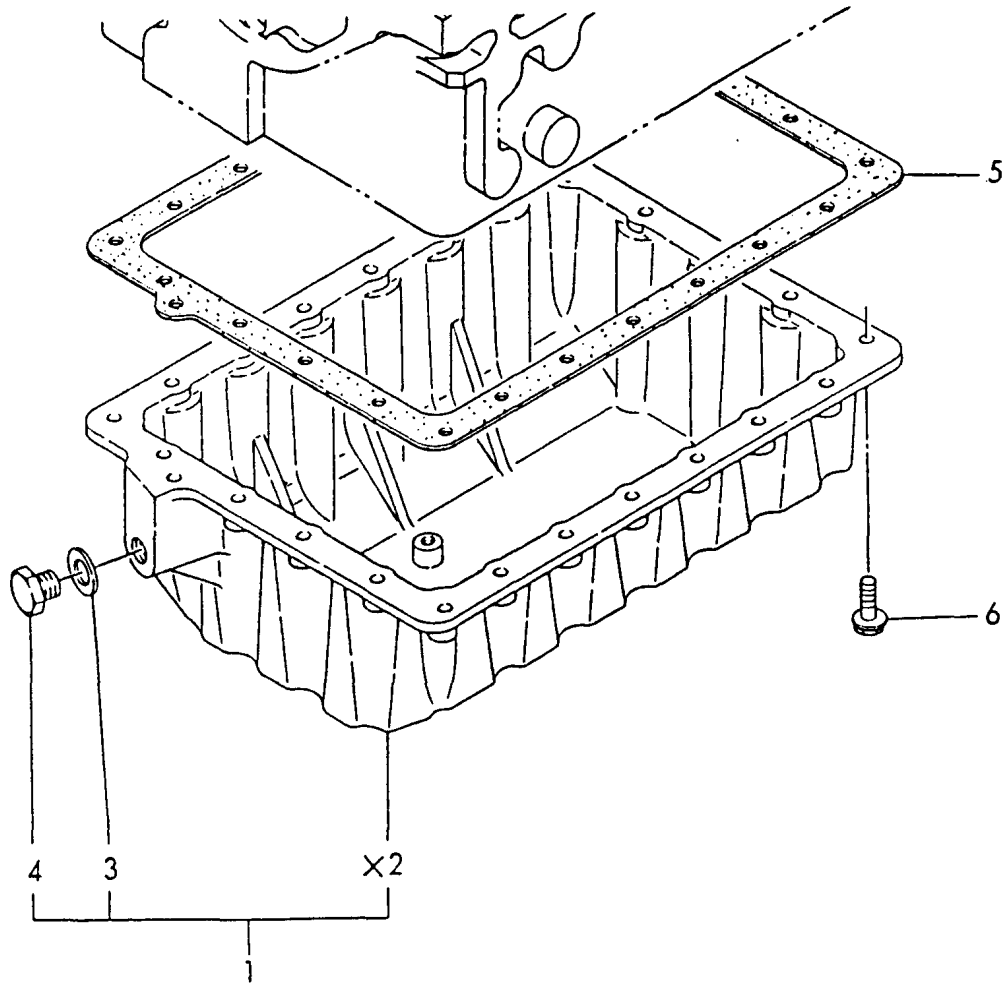
(A)=3HM35
(B)=3HM35C
(C)=3HM35F

(D)=
(E)=
(F)=

No.	Lev.	Parts No.	Description	Q'ty						I	R
				(A)	(B)	(C)	(D)	(E)	(F)		
1	1	728370-01610	CASE ASSY, GEAR	1	1	1					
3	2	121450-01560	STUD, M8X22	4	4	4					
4	2	26366-080002	NUT, M8	4	4	4					
5	2	22351-040010	PIN, SPRING 4.0X10	2	2	2					
6	2	124060-01050	PLUG, PT1/8	1	1	1					
7	1	121575-01510	GASKET, GEAR CASE	1	1	1					
8	1	121450-01801	SEAL, TC25408	1	1	1					
9	1	171016-01550	COVER	1	1	1					
10	1	128695-01840	GASKET	1	1	1					
11	1	121000-01850	COVER, BLOCK	1	1	1					
12	1	121575-01860	GASKET	1	1	1					
13	1	121450-01951	SHIM SET, ADJUSTING	1	1	1					
14	1	24101-063054	BEARING, BALL 6305	1	1	1					
15	1	26106-060122	BOLT, M6X 12 PLATED	1	1	1					
16	1	26106-060142	BOLT, M6X 14 PLATED	2	2	2					
17	1	26106-060122	BOLT, M6X 12 PLATED	2	2	2					
18	1	26106-080302	BOLT, M8X 30 PLATED	2	2	2					
19	1	26106-080852	BOLT, M8X 85 PLATED	5	5	5					
20	1	26106-080902	BOLT, M8X 90 PLATED	1	1	1					
21	1	26116-081152	BOLT, M8X115 PLATED	2	2	2					
22	1	26116-081152	BOLT, M8X115 PLATED	2	2	2					

Fig.4. LUB. OIL SUMP

Fig.4 オイルパン
LUB. OIL SUMP



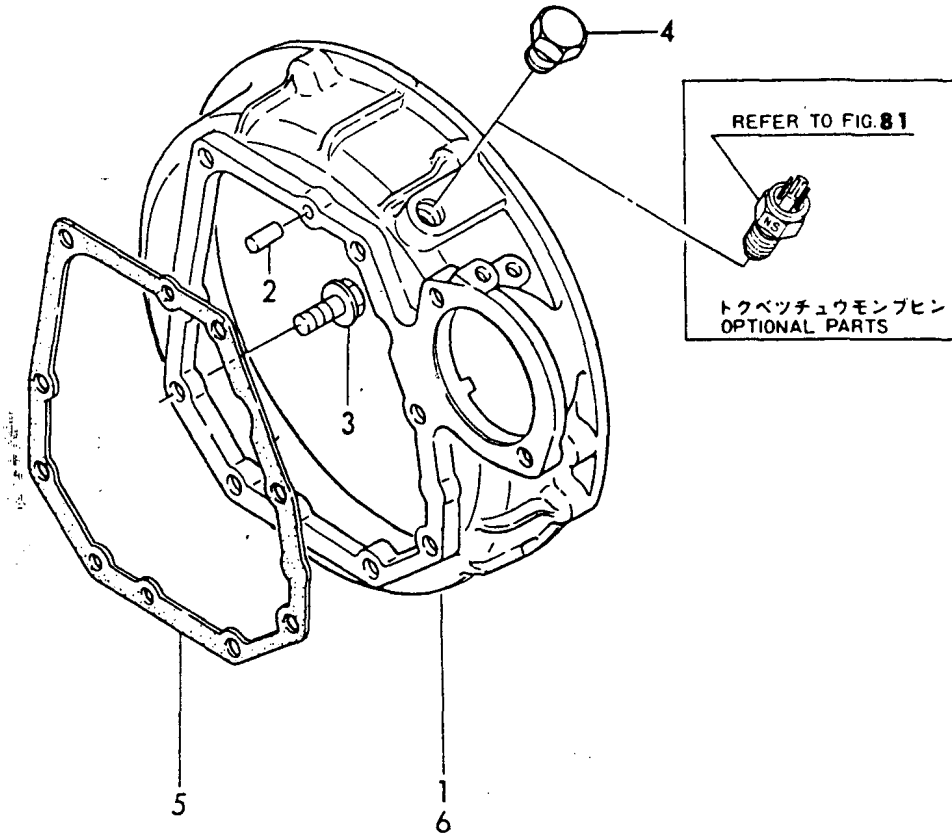
(A)=3HM35
(B)=3HM35C
(C)=3HM35F

(D)=
(E)=
(F)=

No.	Lev.	Parts No.	Description	Qty						I	R
				(A)	(B)	(C)	(D)	(E)	(F)		
1	1	721575-01540	SUMP ASSY, OIL	1	1	1					
3	2	23414-130000	GASKET, 13X1.0	1	1	1					
4	2	23893-020002	PLUG, G1/4	1	1	1					
5	1	121575-01750	GASKET, OIL SUMP	1	1	1					
6	1	26106-060222	BOLT, M6X 22 PLATED	23	23	23					

Fig.5. FLYWHEEL HOUSING

Fig. 5 フライホイールハウジング
FLYWHEEL HOUSING



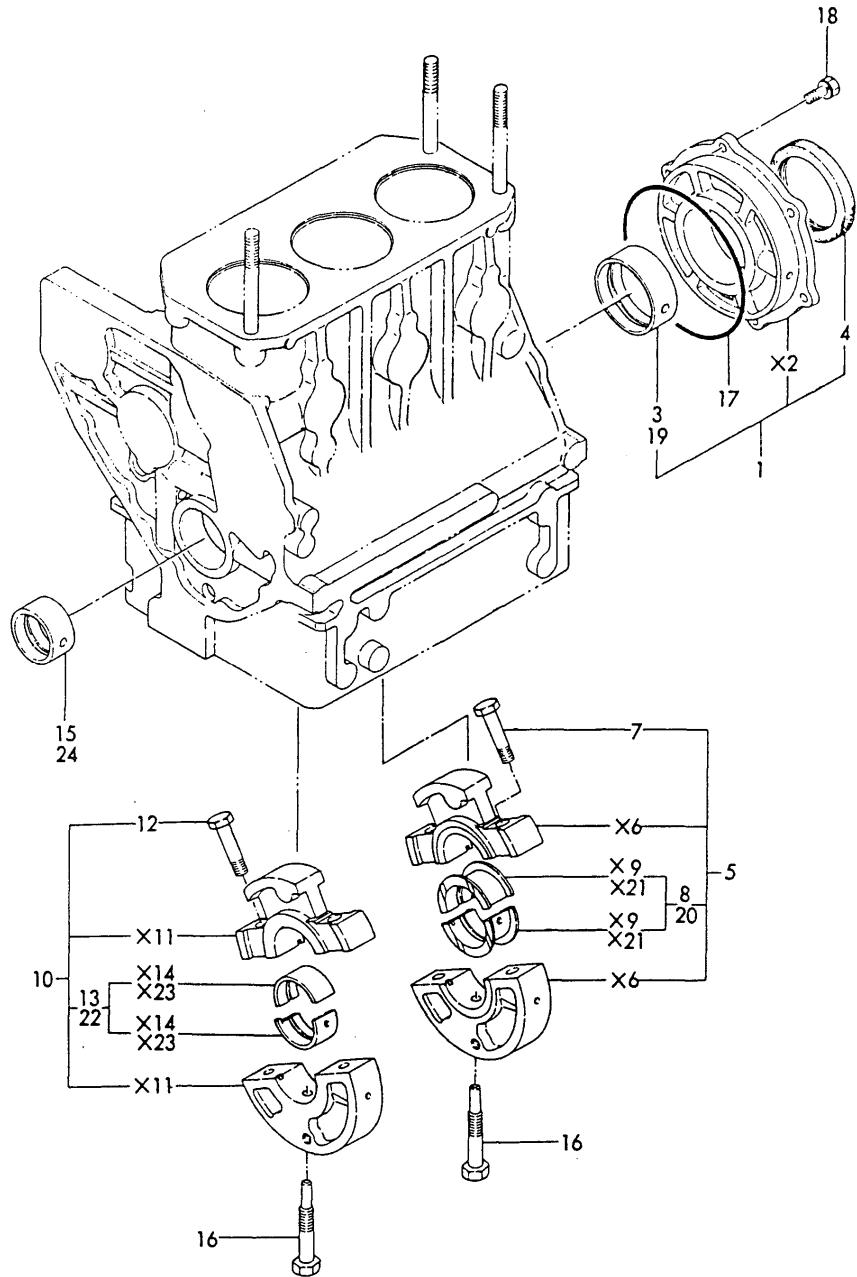
(A)=3HM35
(B)=3HM35C
(C)=3HM35F

(D)=
(E)=
(F)=

No.	Lev.	Parts No.	Description	Qty						I	R	
				(A)	(B)	(C)	(D)	(E)	(F)			
1	1	128670-01600	HOUSING, FLYWHEEL		1							
2	1	22312-080160	PIN, PARALLEL M8X16		2	2	2					
3	1	26106-100252	BOLT, M10X 25 PLATED		8	8	8					
4	1	23887-180002	PLUG, 18		1	1	1					
5	1	121574-01630	GASKET		1	1	1					
6	1	121574-01600	FLANGE, MOUNTING		1		1					

Fig.6. MAIN BEARING HOUSING

Fig.6 メタルドゥ
MAIN BEARING HOUSING



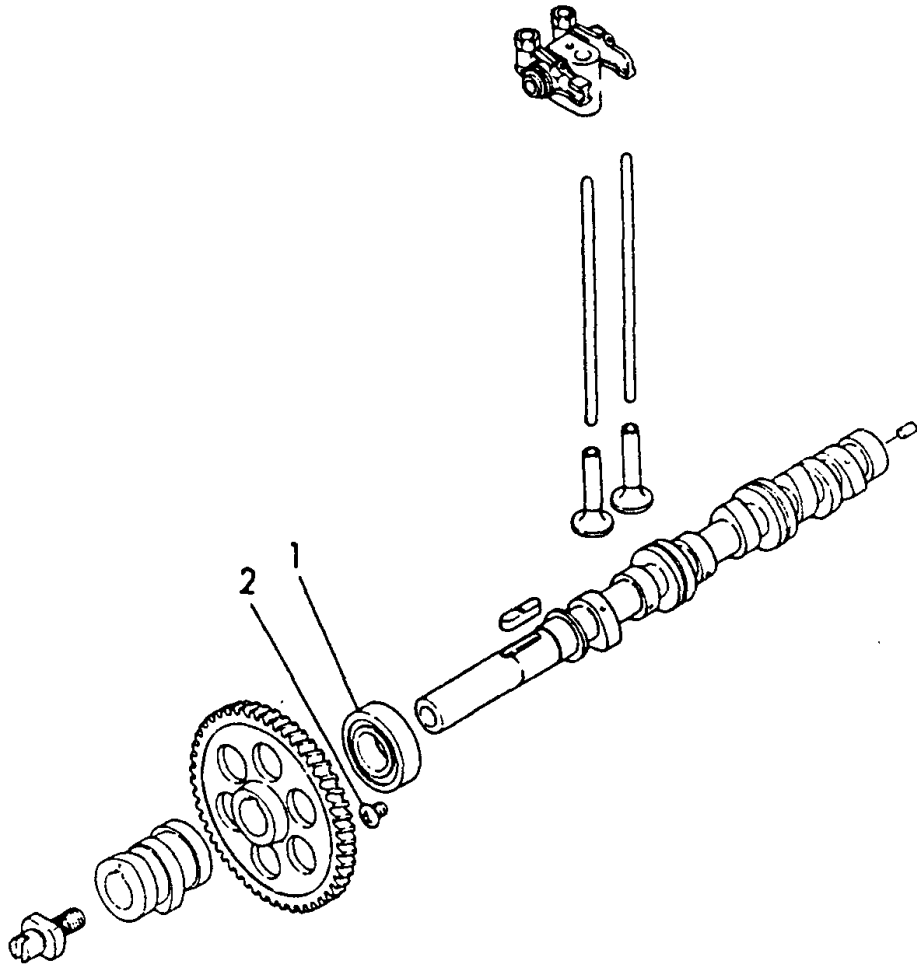
(A)=3HM35
(B)=3HM35C
(C)=3HM35F

(D)=
(E)=
(F)=

No.	Lev.	Parts No.	Description	Qty						I	R
				(A)	(B)	(C)	(D)	(E)	(F)		
1	1	721550-02500	HOUSING ASSY, METAL	1	1	1					
3	2	121550-02110	BEARING, MAIN	1	1	1					
4	2	121551-02220	SEAL, OIL	1	1	1					
5	1	721550-02610	HOUSING ASSY, METAL	1	1	1					
7	2	121250-02070	BOLT	2	2	2					
8	2	721550-02800	BEARING, MAIN	1	1	1					
10	1	721550-02620	HOUSING ASSY, METAL	1	1	1					
12	2	121250-02070	BOLT	2	2	2					
13	2	721550-02810	BEARING, MAIN	1	1	1					
15	1	121520-02100	BEARING, MAIN	1	1	1					
16	1	121550-02300	BOLT	2	2	2					
17	1	24341-001350	O-RING, 1AS135.0	1	1	1					
18	1	26013-080202	BOLT, M8X 20	6	6	6					
19	1	121550-02320	BEARING, 0.25 US	1	1	1					
20	1	121550-02330	BEARING, 0.25 US	1	1	1					
22	1	121550-02350	BEARING, 0.25 US	1	1	1					
24	1	121520-02310	BEARING, 0.25 US	1	1	1					

Fig.7. CAMSHAFT BEARING

Fig. **7** カムシャフトウケ
CAMSHAFT BEARING



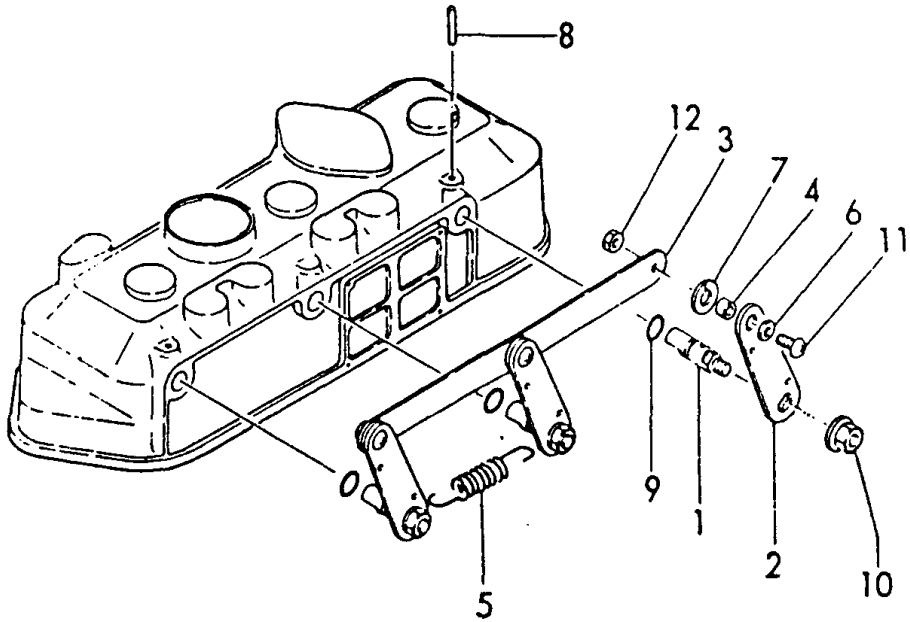
(A)=3HM35
(B)=3HM35C
(C)=3HM35F

(D)=
(E)=
(F)=

No.	Lev.	Parts No.	Description	Qty						I	R
				(A)	(B)	(C)	(D)	(E)	(F)		
1	1	24101-062054	BEARING, BALL 6205	1	1	1					
2	1	26587-080102	SCREW, M8X10	1	1	1					

Fig.8. DECOMPRESSION

Fig. 8 デコンプ
DECOMPRESSION



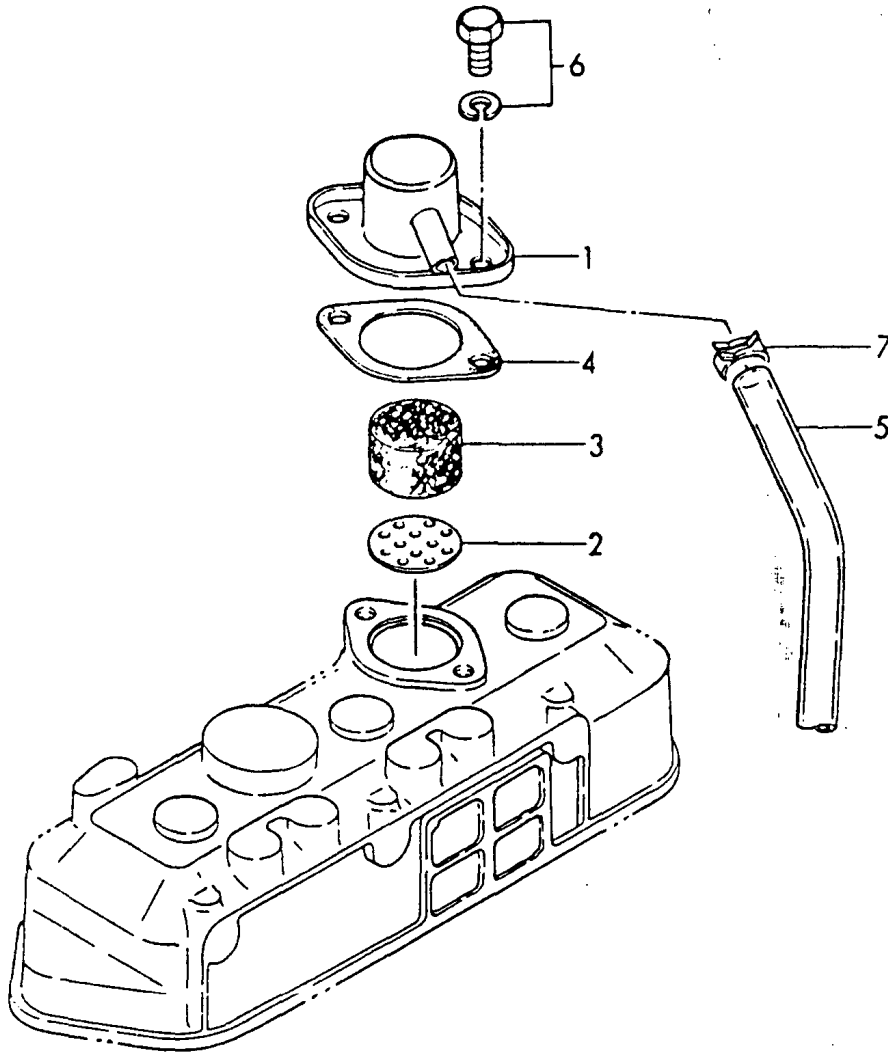
(A)=3HM35
(B)=3HM35C
(C)=3HM35F

(D)=
(E)=
(F)=

No.	Lev.	Parts No.	Description	Q'ty						I	R
				(A)	(B)	(C)	(D)	(E)	(F)		
1	2	121450-03610	SHAFT, DECOMPRESSION	3	3	3					
2	2	121462-03740	LEVER, DECOMPRESSION	3	3	3					
3	2	121550-03760	CONNECTOR	1	1	1					
4	2	121575-03770	COLLAR	3	3	3					
5	2	160110-66011	SPRING, REGULATOR	1	1	1					
6	2	22117-050000	WASHER, 5	3	3	3					
7	2	22287-080000	WASHER, 8	3	3	3					
8	2	22312-030220	PIN, PARALLEL M3X22	2	2	2					
9	2	24311-000070	O-RING, 1AP7.0	3	3	3					
10	2	26366-060002	NUT, M6	3	3	3					
11	2	26557-050122	SCREW, M5X12	3	3	3					
12	2	26756-050002	NUT, LOCK M5	3	3	3					

Fig.9. BREATHER

Fig. 9 ブリーザ
BREATHER



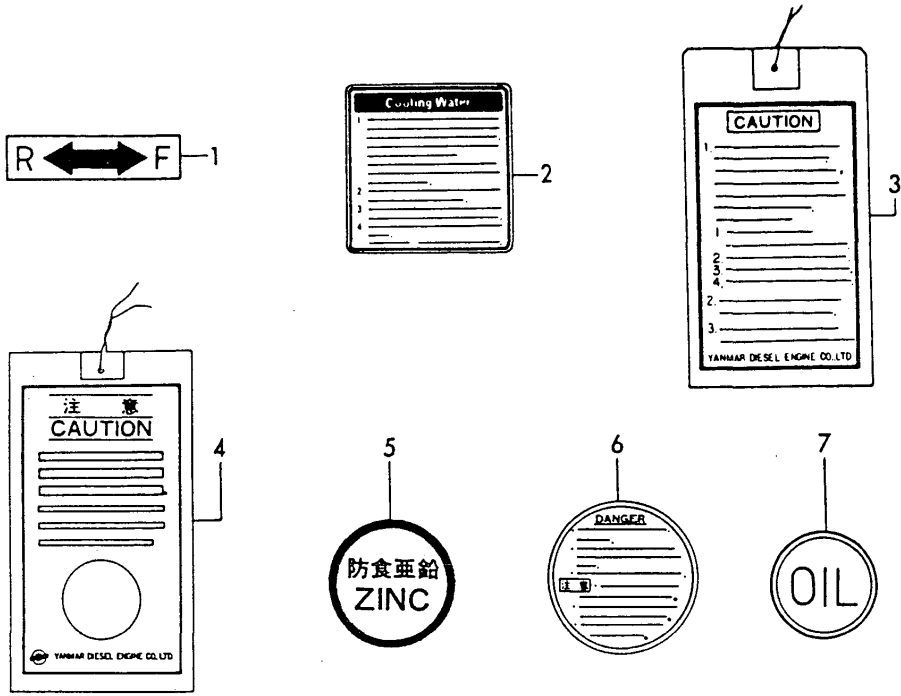
(A)=3HM35
(B)=3HM35C
(C)=3HM35F

(D)=
(E)=
(F)=

No.	Lev.	Parts No.	Description	Q'ty						I	R
				(A)	(B)	(C)	(D)	(E)	(F)		
1	1	128670-03010	BODY, BREATHER	1	1	1					
2	1	128670-03030	PLATE, BAFFLE	1	1	1					
3	1	128670-03040	WOOL, STEEL	1	1	1					
4	1	121450-03071	GASKET	1	1	1					
5	1	124000-03200	PIPE, BREATHER	1	1	1					
6	1	26013-080142	BOLT, M8X 14	2	2	2					
7	1	23080-013000	CLAMP, 13	2	2	2					

Fig.10. LABELS

Fig. 10 メイバン
LABELS



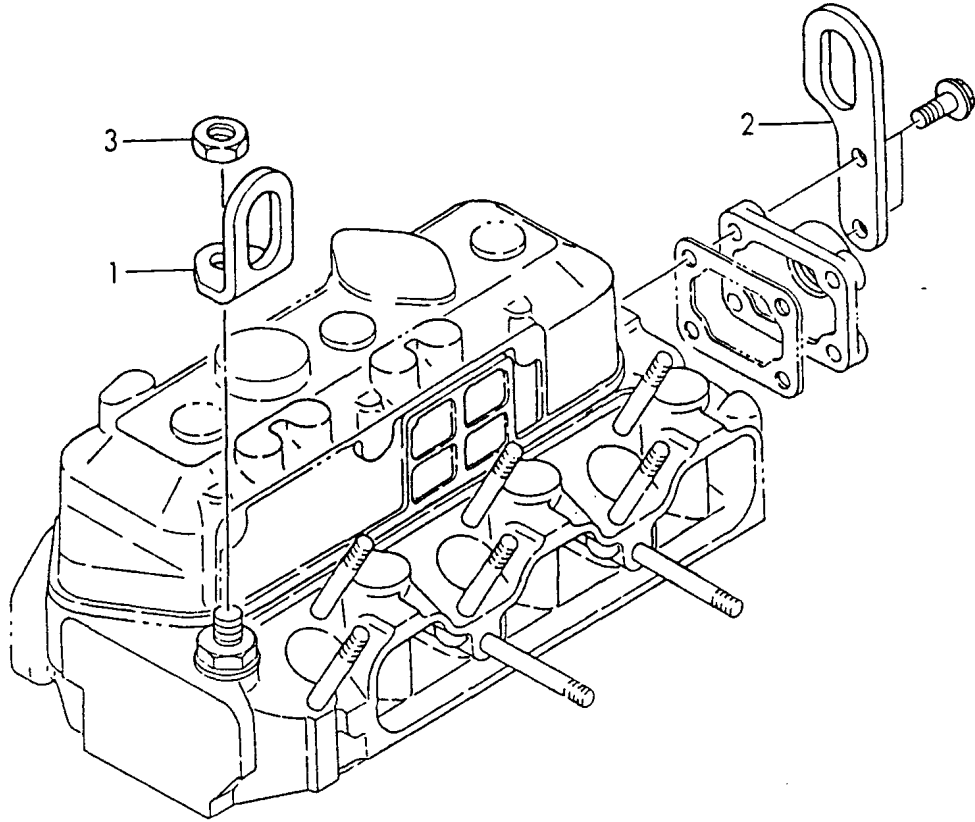
(A)=3HM35
(B)=3HM35C
(C)=3HM35F

(D)=
(E)=
(F)=

No.	Lev.	Parts No.	Description	Q'ty						I	R
				(A)	(B)	(C)	(D)	(E)	(F)		
1	1	177088-02430	LABEL	1		1					
2	1	127611-07350	LABEL			1					
3	1	126630-07370	LABEL			1					
4	1	123682-07850	LABEL, CAUTION					1			
5	1	124220-09340	LABEL	3	3						
6	1	120445-44620	LABEL, CAUTION					1			
7	1	42222-003550	LABEL	1		1					

Fig.11. ENGINE LIFTER

Fig. **11** ツリアゲカナグ
ENGINE LIFTER



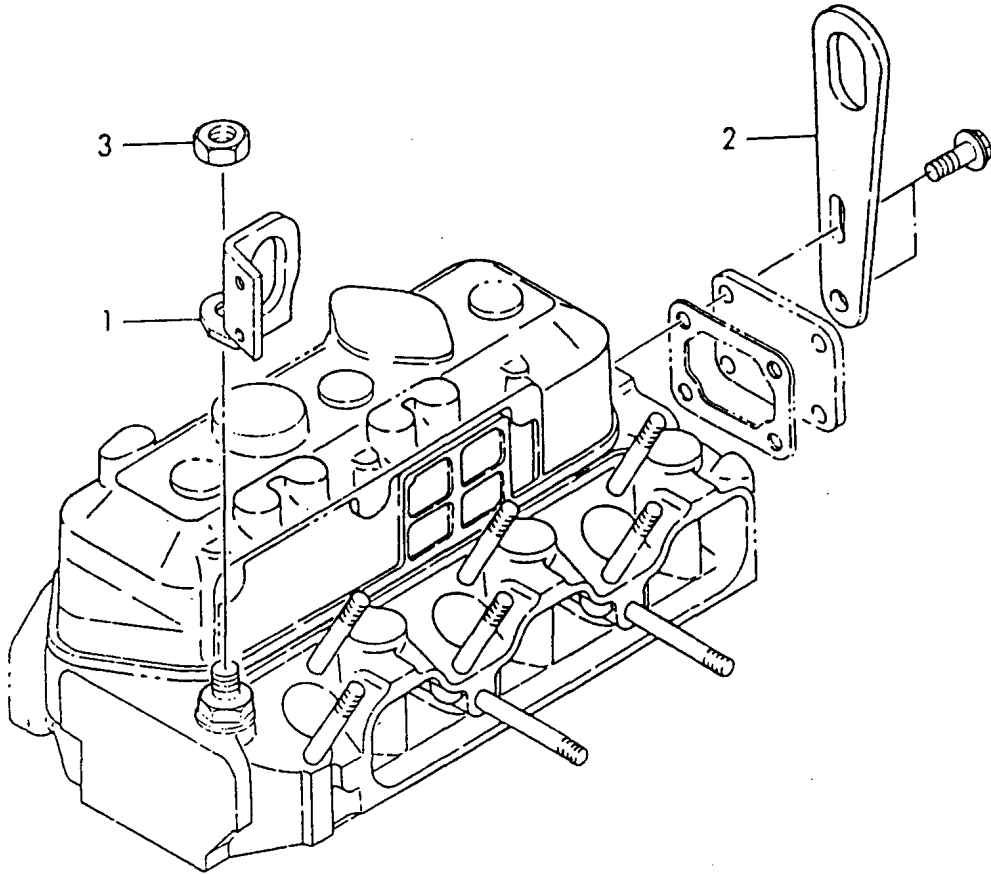
(A)=3HM35
(B)=3HM35C
(C)=3HM35F

(D)=
(E)=
(F)=

No.	Lev.	Parts No.	Description	Q'ty						I	R
				(A)	(B)	(C)	(D)	(E)	(F)		
1	1	121575-07230	LIFTER	1	1						
2	1	121575-07240	LIFTER	1	1						
3	1	26776-120002	NUT, LOCK M12	1	1						

Fig.12. ENGINE LIFTER

Fig. **12** ツリアゲカナグ
ENGINE LIFTER



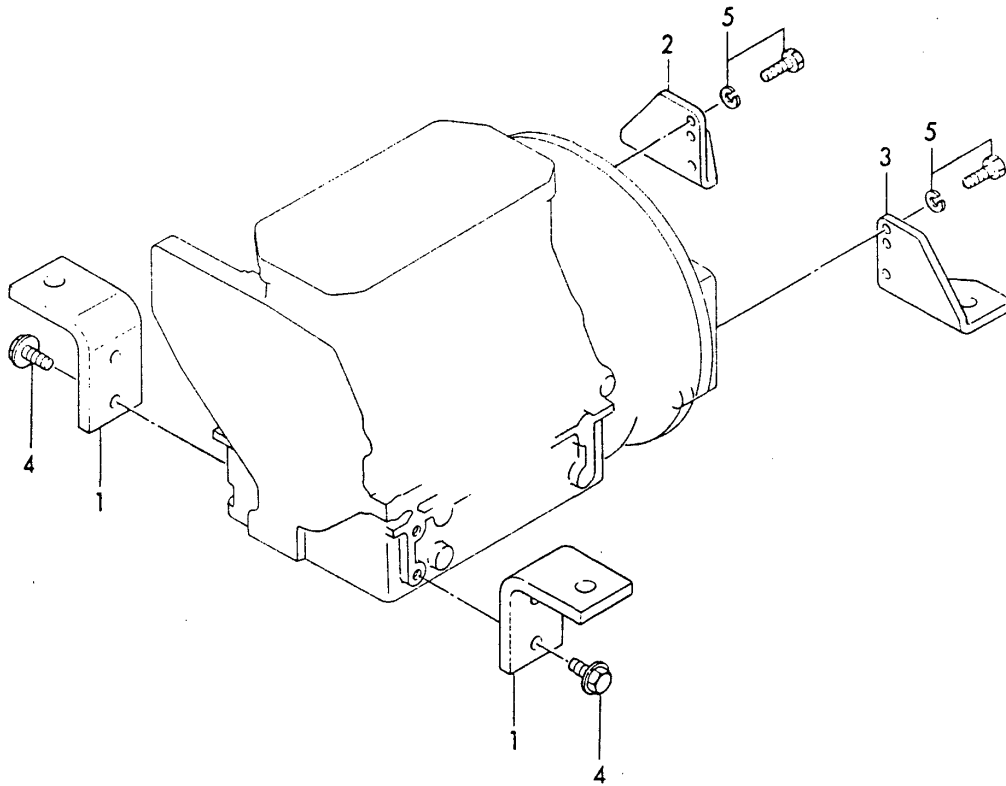
(A)=3HM35
(B)=3HM35C
(C)=3HM35F

(D)=
(E)=
(F)=

No.	Lev.	Parts No.	Description	Q'ty						I	R	
				(A)	(B)	(C)	(D)	(E)	(F)			
1	1	128695-07230	LIFTER			1						
2	1	124736-07900	LIFTER			1						
3	1	26776-120002	NUT, LOCK M12			1						

Fig.13. ENGINE BRACKET

Fig. **13** マウンティングフット
ENGINE BRACKET



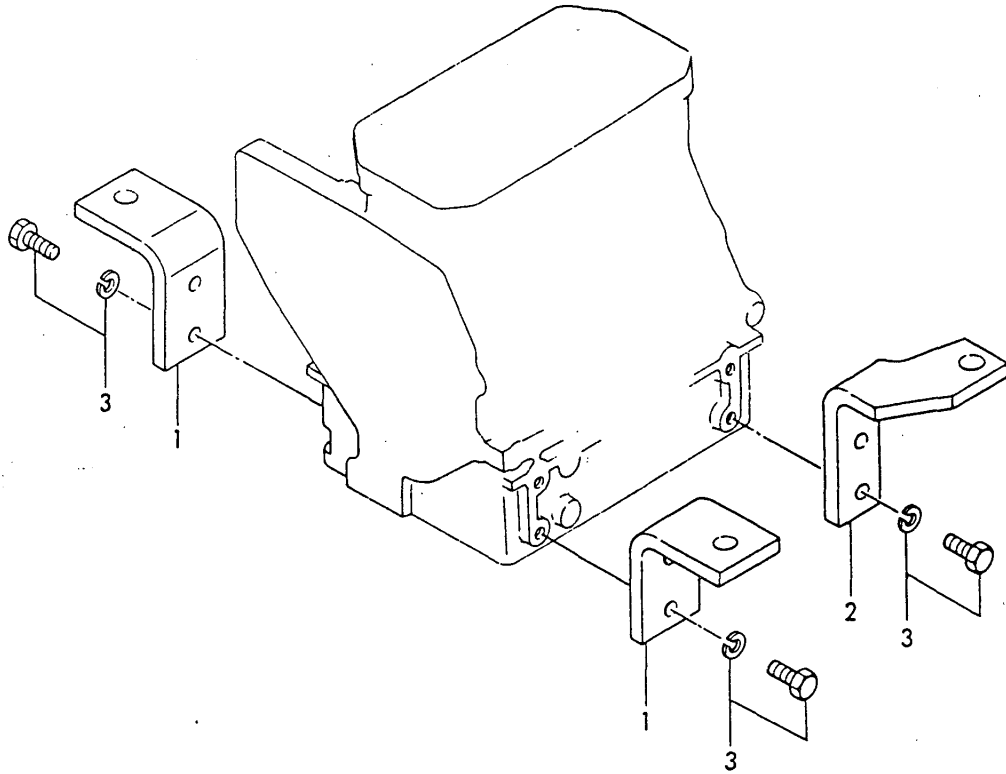
(A)=3HM35
(B)=3HM35C
(C)=3HM35F

(D)=
(E)=
(F)=

No.	Lev.	Parts No.	Description	Q'ty						
				(A)	(B)	(C)	(D)	(E)	(F)	
1	1	128670-08100	FOOT, MOUNTING	2		2				
2	1	128670-08120	FOOT, MOUNTING	1		1				
3	1	128670-08130	FOOT, MOUNTING	1		1				
4	1	26013-120302	BOLT, M12X 30	4		4				
5	1	26106-100282	BOLT, M10X 28 PLATED	4		4				

Fig.14. ENGINE BRACKET

Fig. **14** マウンティングフット
ENGINE BRACKET



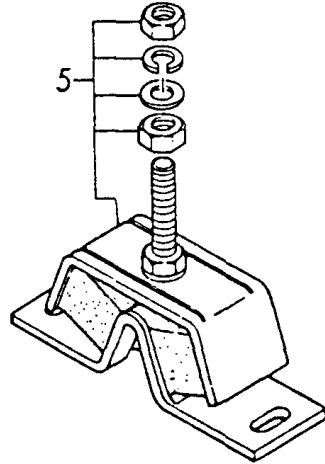
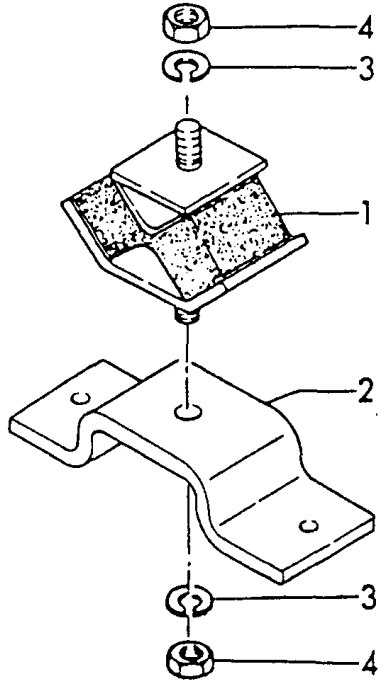
(A)=3HM35
(B)=3HM35C
(C)=3HM35F

(D)=
(E)=
(F)=

No.	Lev.	Parts No.	Description	Q'ty						I	R	
				(A)	(B)	(C)	(D)	(E)	(F)			
1	1	128670-08150	FOOT, MOUNTING		2							
2	1	128670-08160	FOOT, MOUNTING		2							
3	1	26013-120302	BOLT, M12X 30						8			

Fig.15. FLEXIBLE MOUNT

Fig. 15 フレキシブルマウント
FLEXIBLE MOUNT



(A)=3HM35
(B)=3HM35C
(C)=3HM35F

(D)=
(E)=
(F)=

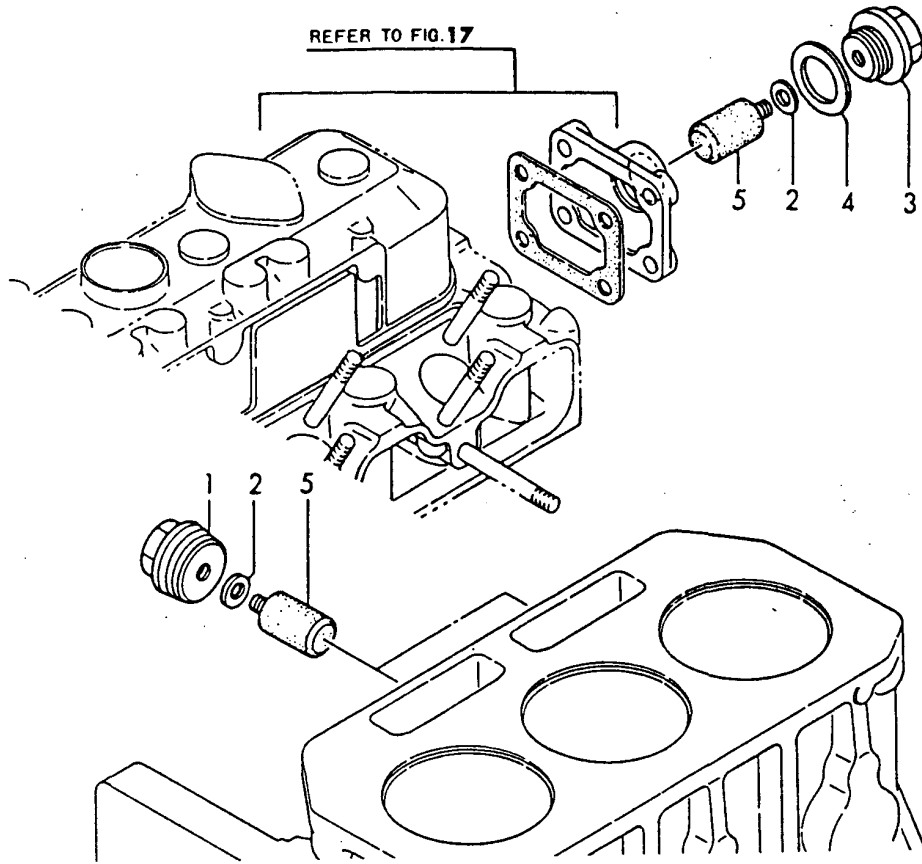
No.	Lev.	Parts No.	Description	Q'ty						I	R
				(A)	(B)	(C)	(D)	(E)	(F)		
1	1	196420-02310	ABSORBER, SHOCK 230		2						
2	1	128670-08400	BRACKET		2						
3	1	22217-120000	WASHER, SPRING 12		4						
4	1	26716-120002	NUT, M12		4						
5	1	124772-08341	MOUNT, FLEXIBLE 100	4		4					

Fig.16. ANTI-CORROSIVE ZINC

(A)=3HM35
(B)=3HM35C
(C)=3HM35F

(D)=
(E)=
(F)=

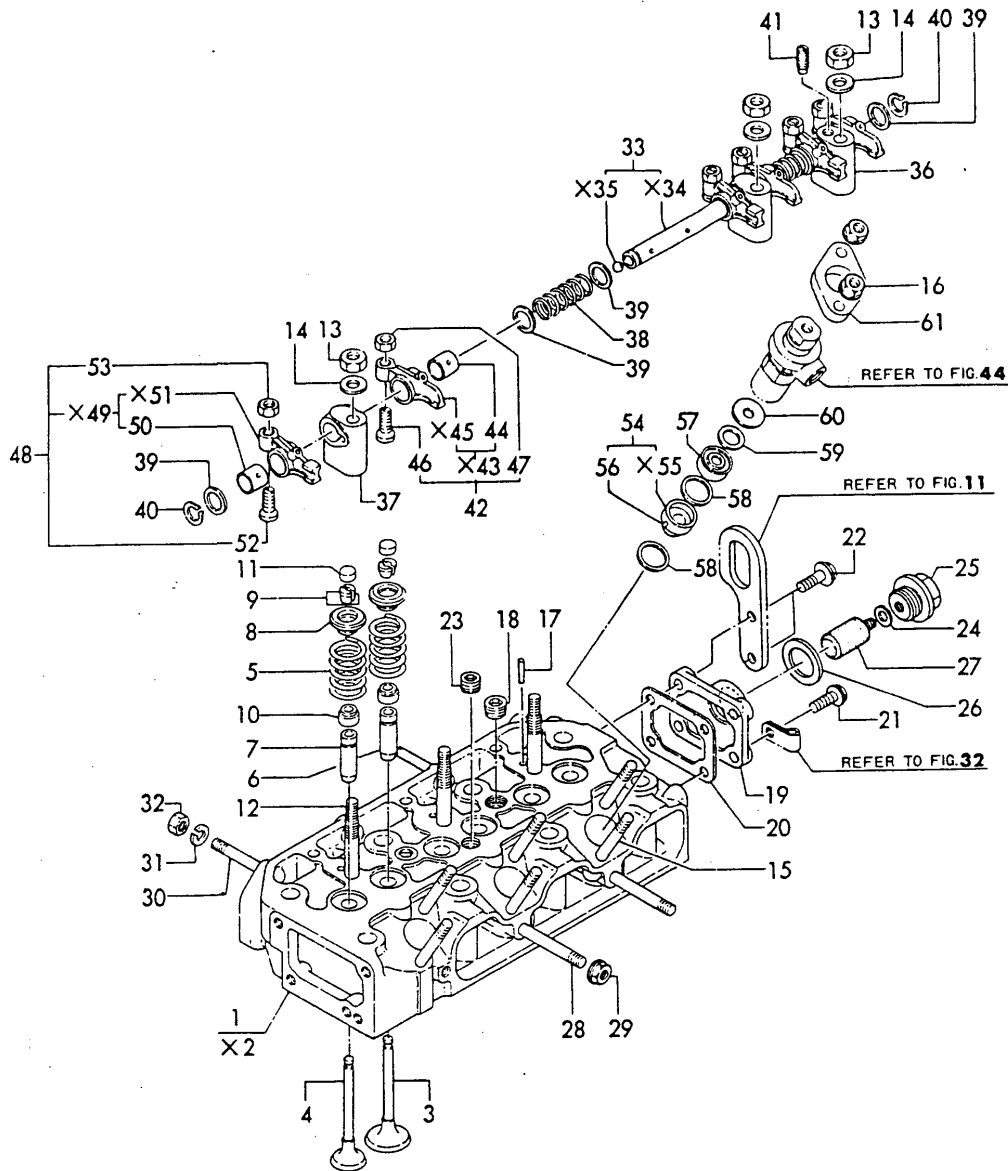
Fig. 16 ボウシヨクアエン
ANTI-CORROSIVE ZINC



No.	Lev.	Parts No.	Description	Q'ty						I	R
				(A)	(B)	(C)	(D)	(E)	(F)		
1	2	128270-09300	PLUG, NPTF1	2	2						
2	2	123210-09310	GASKET	3	3						
3	2	122780-09320	PLUG	1	1						
4	2	23414-250000	GASKET, 25X1.0	1	1						
5	2	27210-200300	ZINC, SCREW20X30	3	3						

Fig.17. CYLINDER HEAD

Fig. 17 シリンダヘッド
CYLINDER HEAD



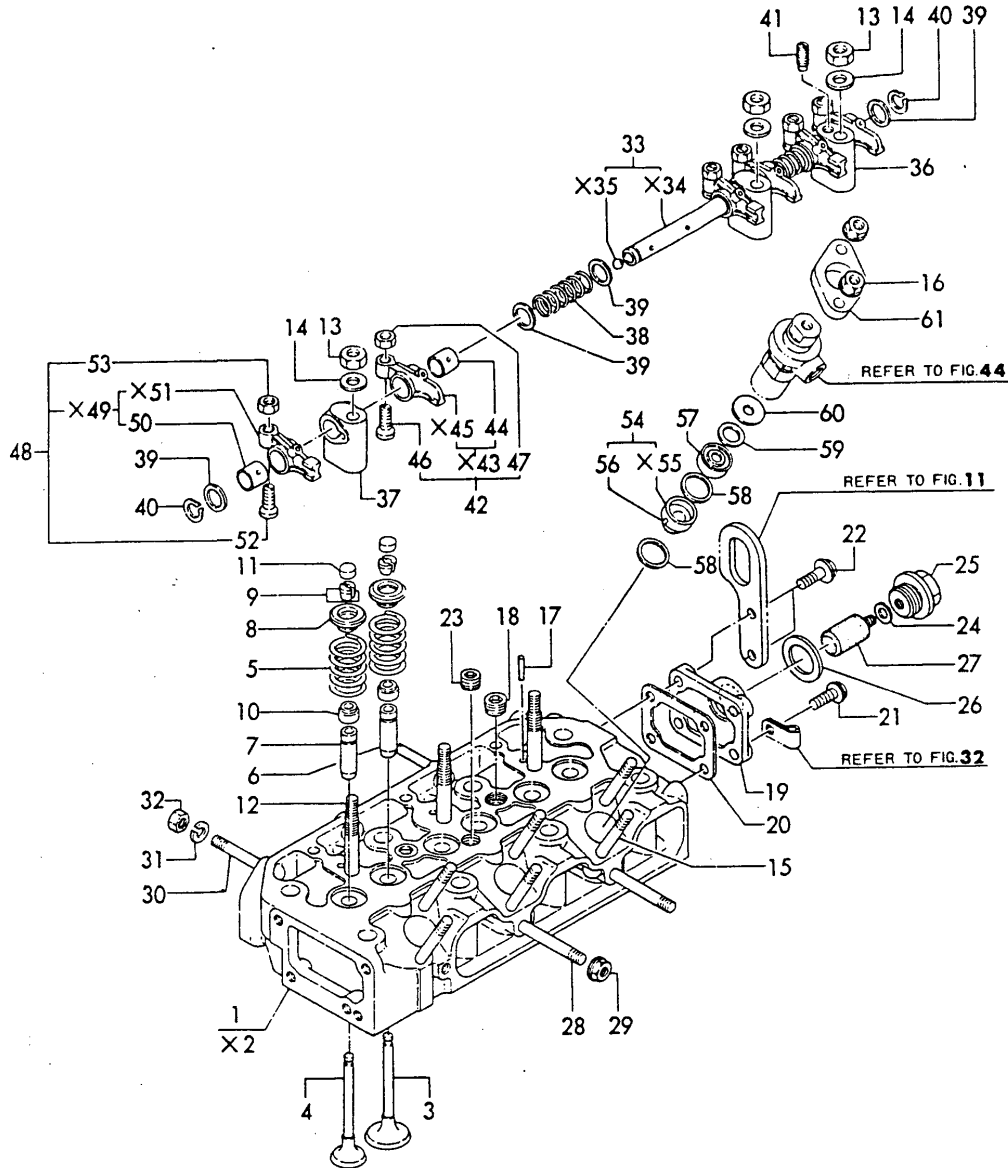
(A)=3HM35
(B)=3HM35C
(C)=3HM35F

(D)=
(E)=
(F)=

No.	Lev.	Parts No.	Description	Qty						I	R
				(A)	(B)	(C)	(D)	(E)	(F)		
1	1	721575-11702	HEAD ASSY, CYLINDER	1	1						
3	2	104211-11100	VALVE, INTAKE	3	3						
4	2	104211-11110	VALVE, EXHAUST	3	3						
5	2	121575-11121	SPRING, VALVE	6	6						
6	2	124060-11800	GUIDE, VALVE	3	3						
7	2	124060-11810	GUIDE, VALVE	3	3						
8	2	104211-11180	RETAINER, SPRING	6	6						
9	2	27310-070001	COTTER, 7	6	6						
10	2	124950-11340	SEAL, VALVE STEM	6	6						
11	2	104211-11370	CAP, VALVE	6	6						
12	2	105225-11350	STUD	3	3						
13	2	26776-100002	NUT, LOCK M10	3	3						
14	2	22137-100000	WASHER, 10	3	3						
15	2	26216-080702	STUD, M8X 70	6	6						
16	2	26366-080002	NUT, M8	6	6						
17	2	121000-11050	PIN, 4.5X12	1	1						
18	2	23873-030000	PLUG, R03	2	2						
19	2	121575-11670	COVER, HEAD	1	1						
20	2	121450-11680	GASKET	1	1						
21	2	26106-080302	BOLT, M8X 30 PLATED	2	2						
22	2	26106-080302	BOLT, M8X 30 PLATED	2	2						
23	2	23871-020000	PLUG, R02	1	1						
24	2	*REF. 16= 2	GASKET, ZINC	2	2						
25	2	*REF. 16= 3	PLUG, ZINC	2	2						
26	2	*REF. 16= 4	GASKET 25	1	1						
27	2	*REF. 16= 5	ZINC, ANTI-CORROSIVE	1	1						
28	2	*REF. 20=10	STUD M 8X57	2	2						
29	2	*REF. 20=11	NUT M 8	2	2						
30	2	*REF. 21=12	STUD M 8X80	2	2						
31	2	*REF. 21=13	SPRING WASHER 8	2	2						
32	2	*REF. 21=14	NUT M 8	2	2						
33	1	121550-11240	SHAFT ASSY, ROCKER	1	1						
36	1	121450-11260	SUPPORT, ROCKER ARM	1	1						
37	1	121450-11270	SUPPORT, ROCKER ARM	2	2						
38	1	121550-11280	SPRING	2	2						
39	1	121550-11290	WASHER	6	6						
40	1	22242-000140	RING, 14	2	2						
41	1	26921-080102	SCREW, M8X10	1	1						
42	1	721450-11650	ARM ASSY, ROCKER	3	3						
44	3	124060-11220	BUSH, ROCKER ARM	3	3						
46	2	101158-11230	SCREW, VALVE ADJUST	3	3						
47	2	26756-080002	NUT, LOCK M8	3	3						
48	1	721450-11660	ARM ASSY, ROCKER	3	3						
50	3	124060-11220	BUSH, ROCKER ARM	3	3						
52	2	101158-11230	SCREW, VALVE ADJUST	3	3						
53	2	26756-080002	NUT, LOCK M8	3	3						
54	1	121575-11421	CHAMBER	3	3						
56	2	103338-11430	PIN	3	3						
57	1	128695-11410	CHAMBER	3	3						
58	1	121550-11451	GASKET, CHAMBER	6	6						
59	1	128275-11490	PROTECTOR	3	3						

Fig.17. CYLINDER HEAD

Fig. 17 シリンダヘッド
CYLINDER HEAD



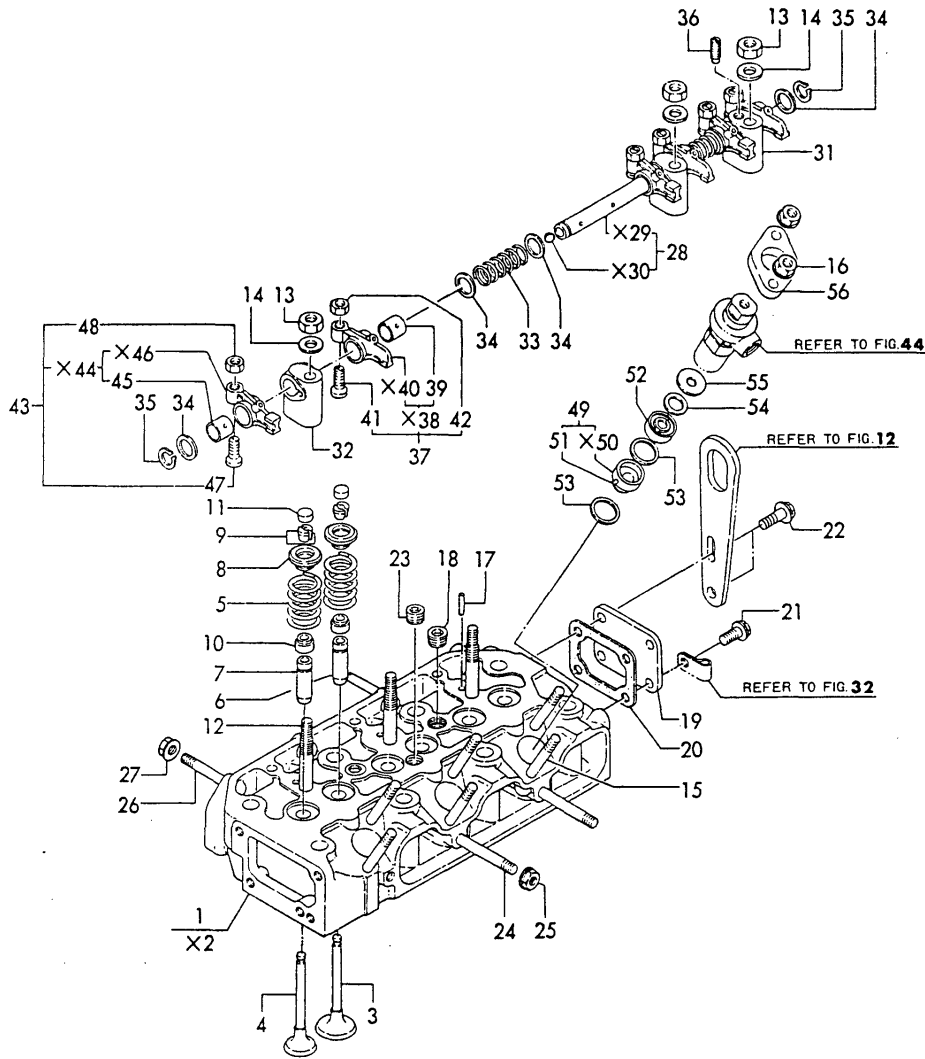
(A)=3HM35
(B)=3HM35C
(C)=3HM35F

(D)=
(E)=
(F)=

No.	Lev.	Parts No.	Description	Q'ty						I	R
				(A)	(B)	(C)	(D)	(E)	(F)		
60	1	128695-11500	COVER	3	3						
61	1	101147-11900	RETAINER	3	3						

Fig.18. CYLINDER HEAD

Fig. 18 シリンダヘッド
CYLINDER HEAD



(A)=3HM35
(B)=3HM35C
(C)=3HM35F

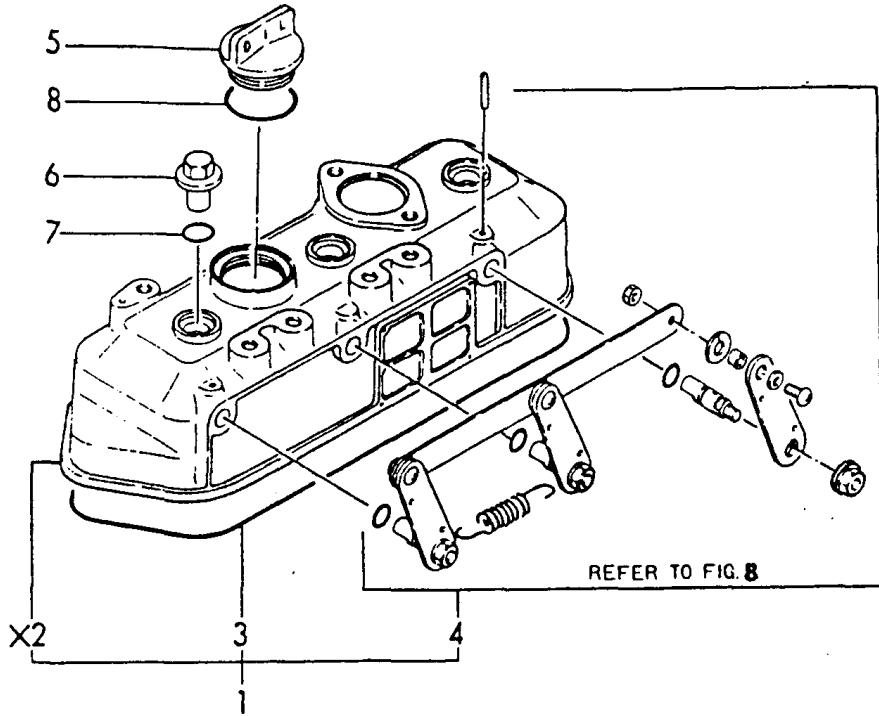
(D)=
(E)=
(F)=

No.	Lev.	Parts No.	Description	Qty						I	R
				(A)	(B)	(C)	(D)	(E)	(F)		
1	1	721575-11702	HEAD ASSY, CYLINDER	1							A
3	2	104211-11100	VALVE, INTAKE	3							
4	2	104211-11110	VALVE, EXHAUST	3							
5	2	121575-11121	SPRING, VALVE	6							
6	2	124060-11800	GUIDE, VALVE	3							
7	2	124060-11810	GUIDE, VALVE	3							
8	2	104211-11180	RETAINER, SPRING	6							
9	2	27310-070001	COTTER, 7	6							
10	2	124950-11340	SEAL, VALVE STEM	6							
11	2	104211-11370	CAP, VALVE	6							
12	2	105225-11350	STUD	3							
13	2	26776-100002	NUT, LOCK M10	3							
14	2	22137-100000	WASHER, 10	3							
15	2	26216-080702	STUD, M8X 70	6							
16	2	26366-080002	NUT, M8	6							
17	2	121000-11050	PIN, 4.5X12	1							
18	2	23873-030000	PLUG, R03	2							
19	2	121450-11670	COVER, HEAD	1							
20	2	121450-11680	GASKET	1							
21	2	26106-080122	BOLT, M8X 12 PLATED	2							
22	2	26106-080162	BOLT, M8X 16 PLATED	2							
23	2	23871-020000	PLUG, R02	1							
24	2	*REF. 20=10	STUD M 8X57	2							
25	2	*REF. 20=11	NUT M 8	2							
26	2	*REF. 35=31	STUD M 8X90	2							
27	2	*REF. 35=32	NUT M 8	2							
28	1	121550-11240	SHAFT ASSY, ROCKER	1							
31	1	121450-11260	SUPPORT, ROCKER ARM	1							
32	1	121450-11270	SUPPORT, ROCKER ARM	2							
33	1	121550-11280	SPRING	2							
34	1	121550-11290	WASHER	6							
35	1	22242-000140	RING, 14	2							
36	1	26921-080102	SCREW, M8X10	1							
37	1	721450-11650	ARM ASSY, ROCKER	3							
39	3	124060-11220	BUSH, ROCKER ARM	3							
41	2	101158-11230	SCREW, VALVE ADJUST	3							
42	2	26756-080002	NUT, LOCK M8	3							
43	1	721450-11660	ARM ASSY, ROCKER	3							
45	3	124060-11220	BUSH, ROCKER ARM	3							
47	2	101158-11230	SCREW, VALVE ADJUST	3							
48	2	26756-080002	NUT, LOCK M8	3							
49	1	121575-11421	CHAMBER	3							
51	2	103338-11430	PIN	3							
52	1	128695-11410	CHAMBER	3							
53	1	121550-11451	GASKET, CHAMBER	6							
54	1	128275-11490	PROTECTOR	3							
55	1	128695-11500	COVER	3							
56	1	101147-11900	RETAINER	3							

Remarks
A)CYLINDER HEAD ASSY. OF MODEL 3HM35F
IS SUPPLIED AS MODEL 3HM35F.
ALTHOUGH COMPONENT PARTS ARE PARTLY
DIFFERET, BUT INTERCHANGEABLE.

Fig.19. BONNET

Fig. 19 ボンネット
BONNET



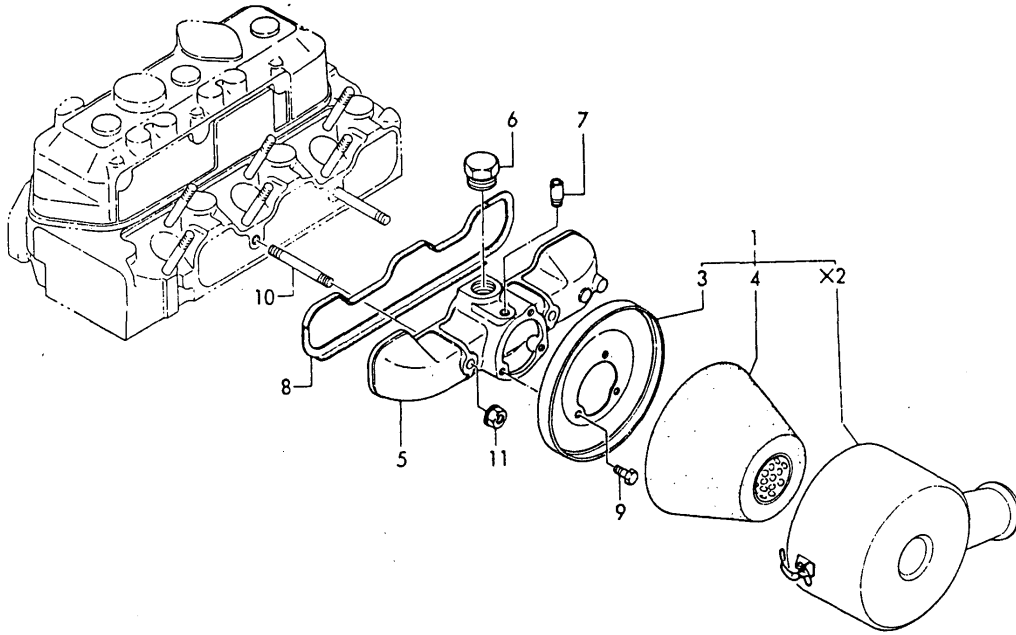
(A)=3HM35
(B)=3HM35C
(C)=3HM35F

(D)=
(E)=
(F)=

No.	Lev.	Parts No.	Description	Q'ty						I	R
				(A)	(B)	(C)	(D)	(E)	(F)		
1	1	728670-11521	BONNET ASSY, HEAD	1	1	1					
3	2	121550-11310	GASKET, BONNET	1	1	1					
4	2	*REF. 8	DECOMPRESSION	1	1	1					
5	1	124160-01751	COVER, FILLER	1	1	1					
6	1	124160-11360	KNOB	3	3	3					
7	1	24311-000120	O-RING, 1AP12.0	3	3	3					
8	1	24321-000350	O-RING, 1AG35.0	1	1	1					

Fig.20. SUCTION SILENCER

Fig. **20** キュウキサイレンサ
SUCTION SILENCER



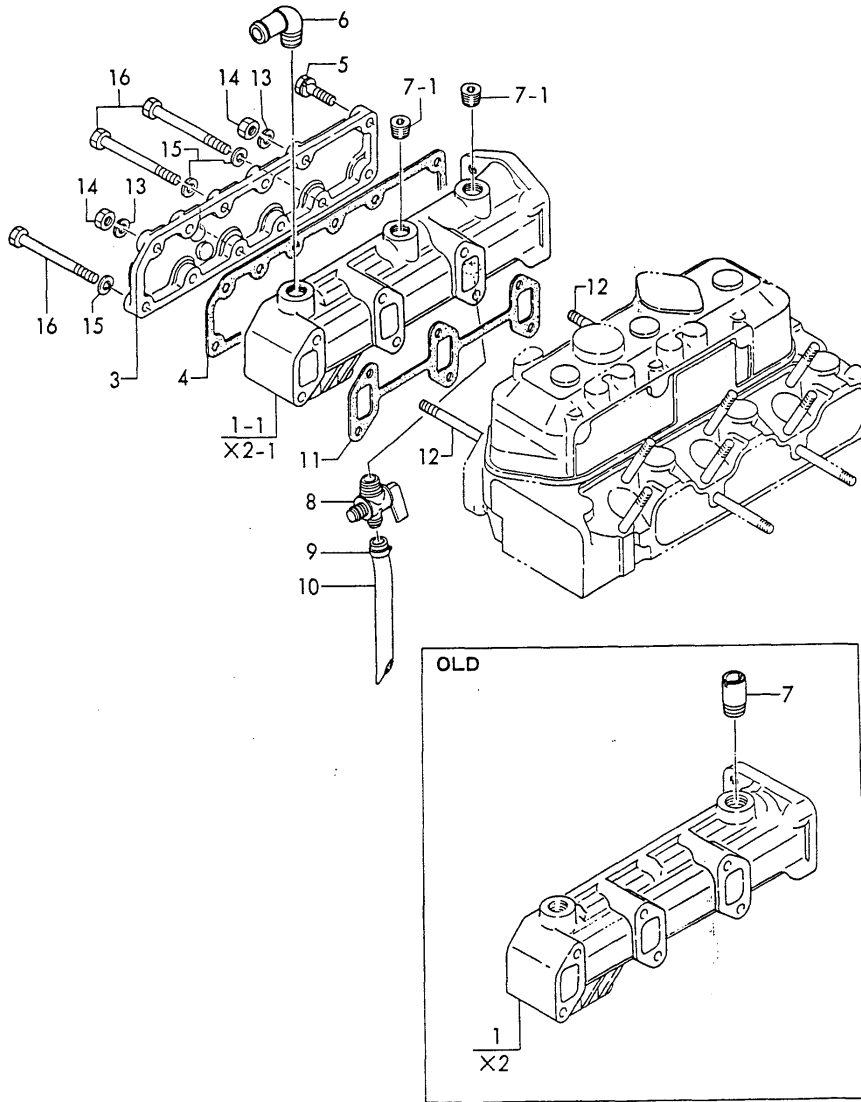
(A)=3HM35
(B)=3HM35C
(C)=3HM35F

(D)=
(E)=
(F)=

No.	Lev.	Parts No.	Description	Q'ty						I	R
				(A)	(B)	(C)	(D)	(E)	(F)		
1	1	124770-12500	SILENCER	1	1	1					
3	2	124770-12530	PLATE	1	1	1					
4	2	124770-12540	ELEMENT	1	1	1					
5	1	121575-12700	MANIFOLD, AIR INTAKE	1	1	1					
6	1	124450-11320	PLUG	1	1	1					
7	1	124770-11770	JOINT, PIPE PT1/8	1	1	1					
8	1	121551-12710	GASKET, MANIFOLD	1	1	1					
9	1	26016-060142	BOLT M 6X 14	3	3	3					
10	1	121250-11550	BOLT	2	2	2					
11	1	26366-080002	NUT, M8	2	2	2					

Fig.21. EXHAUST MANIFOLD

Fig. 21 ハイキマニホールド
EXHAUST MANIFOLD



(A)=3HM35
(B)=3HM35C
(C)=3HM35F

(D)=
(E)=
(F)=

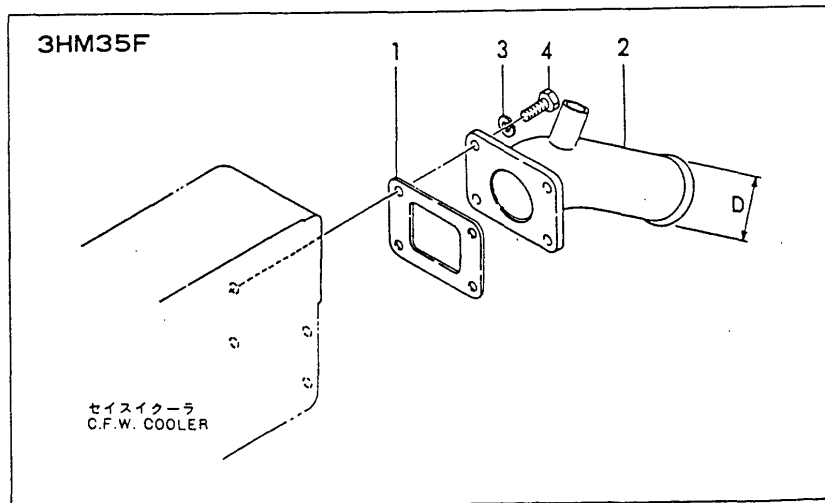
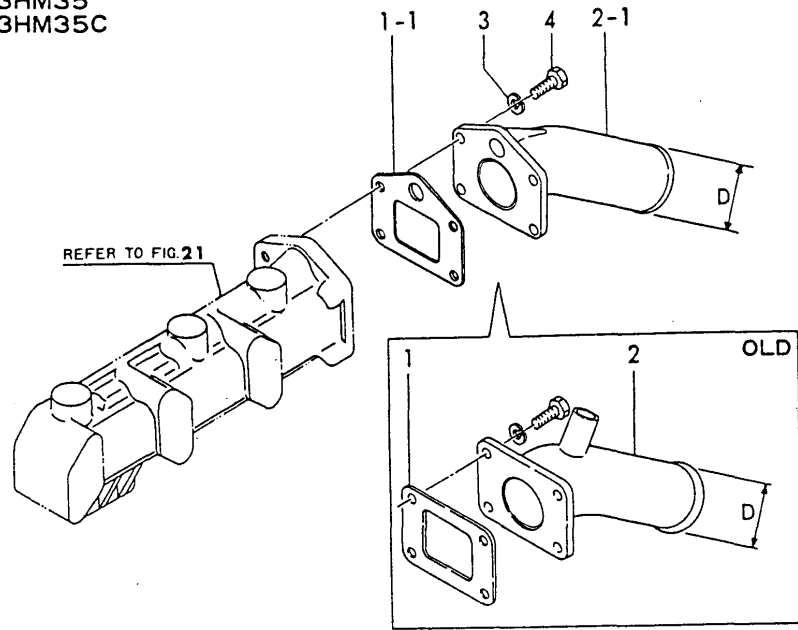
No.	Lev.	Parts No.	Description	Q'ty						I	R
				(A)	(B)	(C)	(D)	(E)	(F)		
1	1	728670-13500	MANIFOLD ASSY	1	1						
1-1	1	728670-13501	MANIFOLD ASSY	1	1						F A
(A=E00726)											
3	2	128670-13160	COVER, MANIFOLD	1	1						
4	2	128670-13180	GASKET	1	1						
5	2	26013-080252	BOLT, M8X 25	6	6						
6	2	124070-13300	ELBOW, PT3/8	1	1						
7	2	121575-49300	JOINT, PIPE	1	1						
7-1	2	23871-030000	PLUG, R03	2	2						S
(A=E00726)											
8	2	104200-11920	COCK, WATER	1	1						
9	1	124223-49750	CLIP, HOSE 13	1	1						
10	1	23061-100500	PIPE, 10X 500	1	1						
11	1	121550-13520	GASKET	1	1						
12	1	26213-080802	STUD, M8X 80	2	2						
13	1	22217-080000	WASHER, SPRING 8	2	2						
14	1	26706-080002	NUT, M8	2	2						
15	1	22217-080000	WASHER, SPRING 8	4	4						
16	1	26115-080802	BOLT, M8X 80	4	4						

Remarks
A) INTERCHANGEABLE BY SIMULTANEOUS REPLACEMENT WITH JOINT(121575-49300),SPACER(128370-13220) & GASKET(128370-13230).

Fig.22. MIXING ELBOW

Fig. **22** ミキシングエルボ
MIXING ELBOW

3HM35
3HM35C



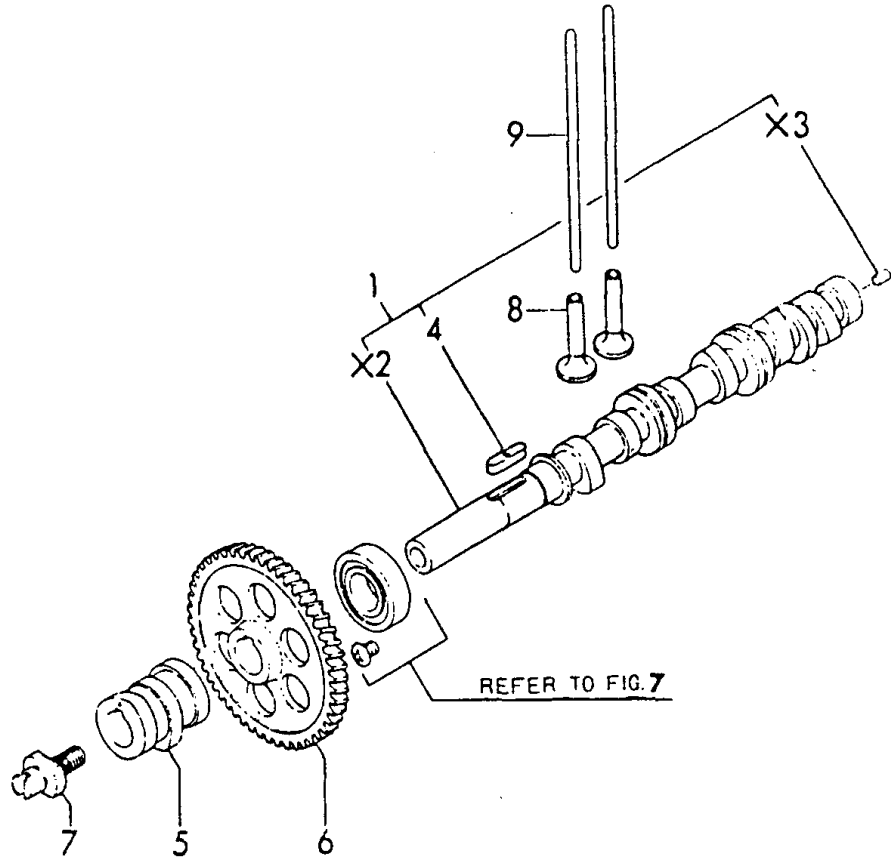
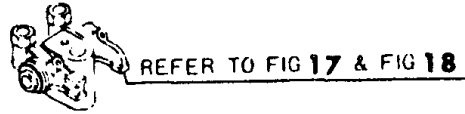
(A)=3HM35
(B)=3HM35C
(C)=3HM35F

(D)=
(E)=
(F)=

No.	Lev.	Parts No.	Description	Q'ty						I	R
				(A)	(B)	(C)	(D)	(E)	(F)		
1	1	128370-13200	GASKET	1	1	1					
1-1	1	128370-13230	GASKET	1	1						S
(A=E00726)											
2	1	128370-13530	ELBOW	1	1	1					
2-1	1	128370-13550	ELBOW	1	1						S
(A=E00726)											
3	1	22217-080000	WASHER, SPRING 8	4	4	4					
4	1	26115-080202	BOLT, M8X 20	4	4	4					

Fig.23. CAMSHAFT

Fig. **23** カムシャフトウケ
CAMSHAFT



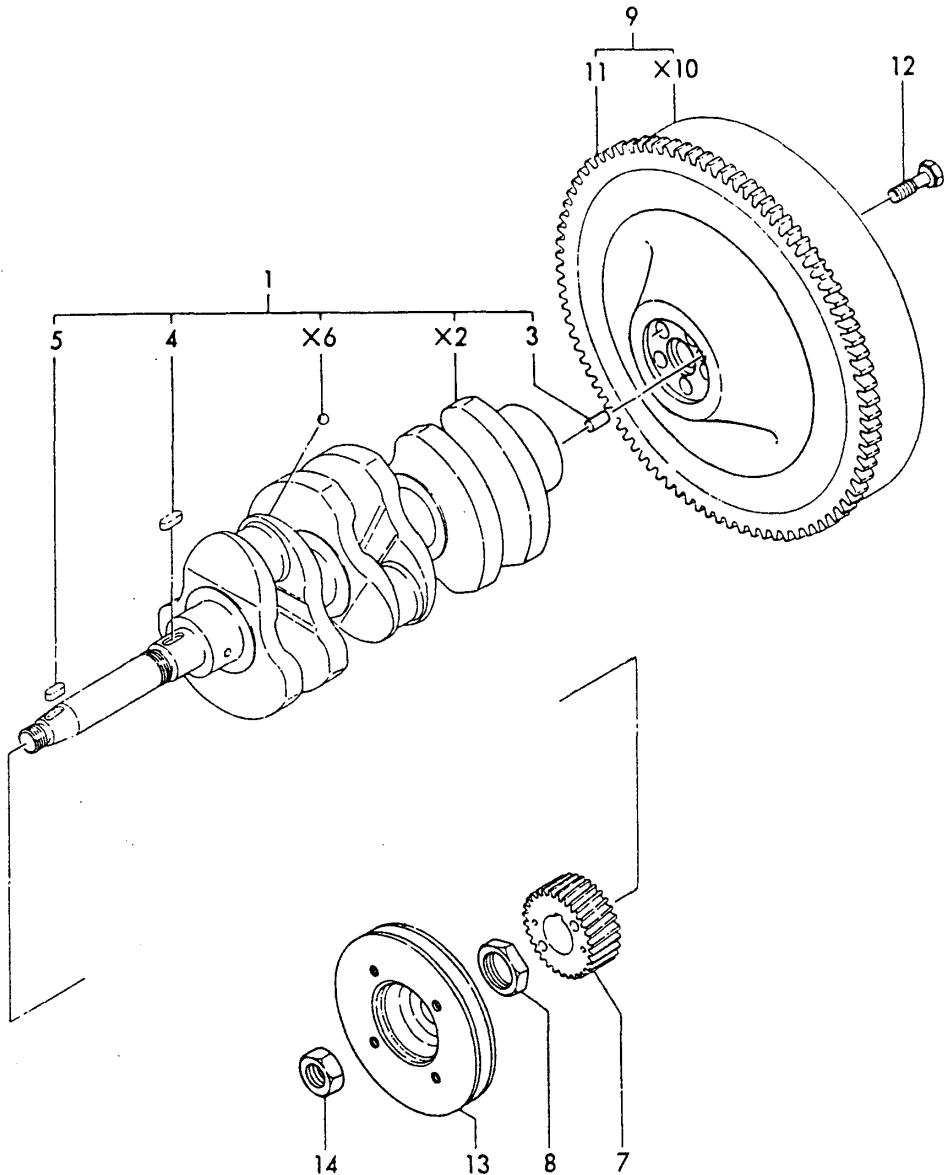
(A)=3HM35
(B)=3HM35C
(C)=3HM35F

(D)=
(E)=
(F)=

No.	Lev.	Parts No.	Description	Q'ty						I	R
				(A)	(B)	(C)	(D)	(E)	(F)		
1	1	721500-14580	CAMSHAFT ASSY	1	1	1					
4	2	22512-070300	KEY, 7X 30	1	1	1					
5	1	121575-14090	CAM, FUEL	1	1	1					
6	1	129350-14100	GEAR, CAMSHAFT	1	1	1					
7	1	121000-14110	BOLT, CAMSHAFT	1	1	1					
8	1	104200-14200	TAPPET	6	6	6					
9	1	121550-14400	ROD, PUSH	6	6	6					

Fig.24. CRANKSHAFT & FLYWHEEL

Fig. **24** クランクシャフト&フライホイール
CRANKSHAFT&FLYWHEEL



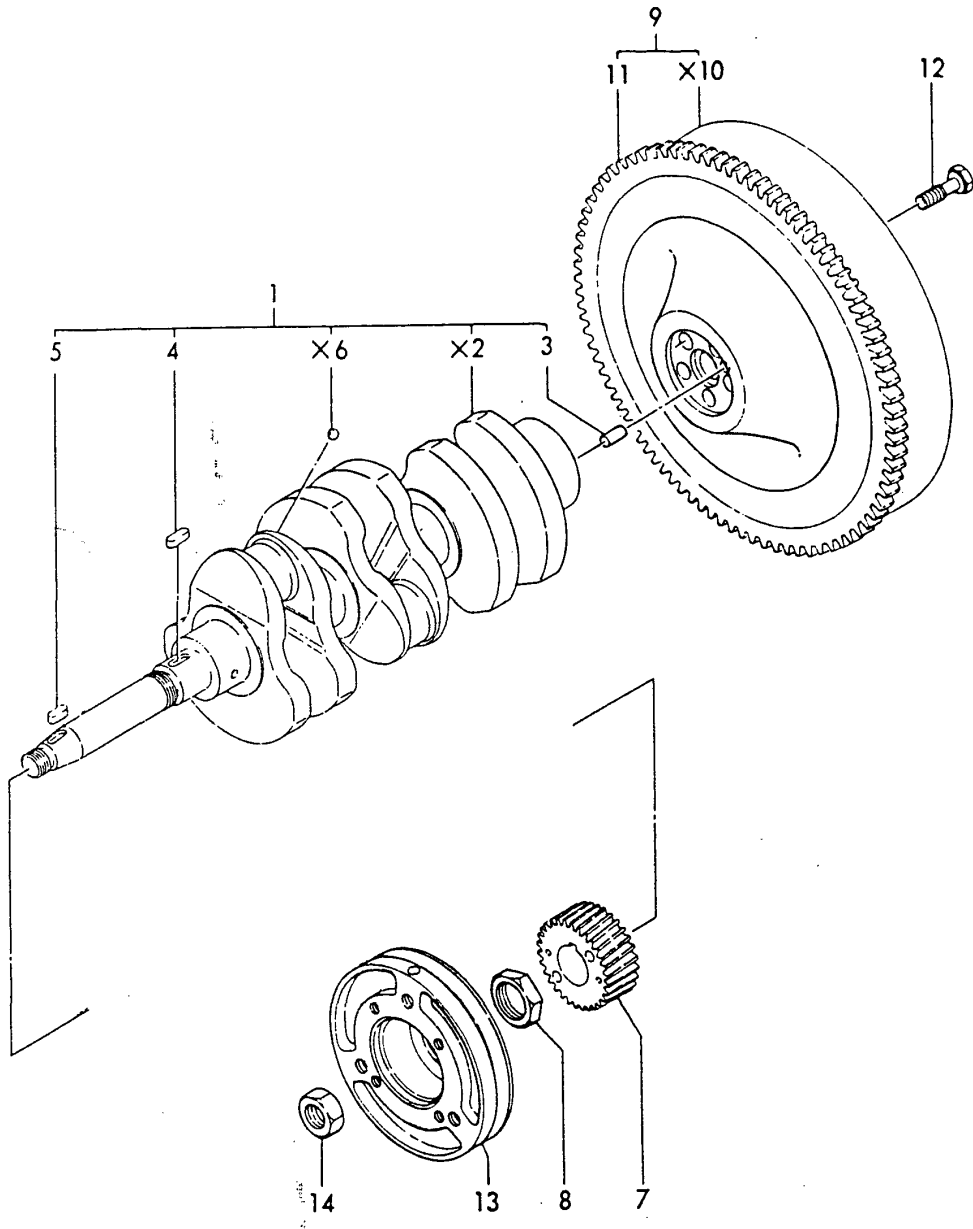
(A)=3HM35
(B)=3HM35C
(C)=3HM35F

(D)=
(E)=
(F)=

No.	Lev.	Parts No.	Description	Q'ty						I	R
				(A)	(B)	(C)	(D)	(E)	(F)		
1	1	728671-21700	CRANKSHAFT ASSY	1	1						
3	2	22312-080160	PIN, PARALLEL M8X16	1	1						
4	2	22512-070180	KEY, 7X 18	1	1						
5	2	22512-070180	KEY, 7X 18	1	1						
7	1	129350-21200	GEAR, CRANKSHAFT	1	1						
8	1	121450-21540	NUT, CRANKSHAFT GEAR	1	1						
9	1	128670-21590	FLYWHEEL ASSY	1	1						
11	2	105212-21600	GEAR, RING	1	1						
12	1	121574-21500	BOLT, FLYWHEEL 10 45	5	5						
13	1	128670-21650	V-PULLEY	1	1						
14	1	26776-180002	NUT, LOCK M18	1	1						

Fig.25. CRANKSHAFT & FLYWHEEL

Fig. **25** クランクシャフト&フライホイール
CRANKSHAFT&FLYWHEEL



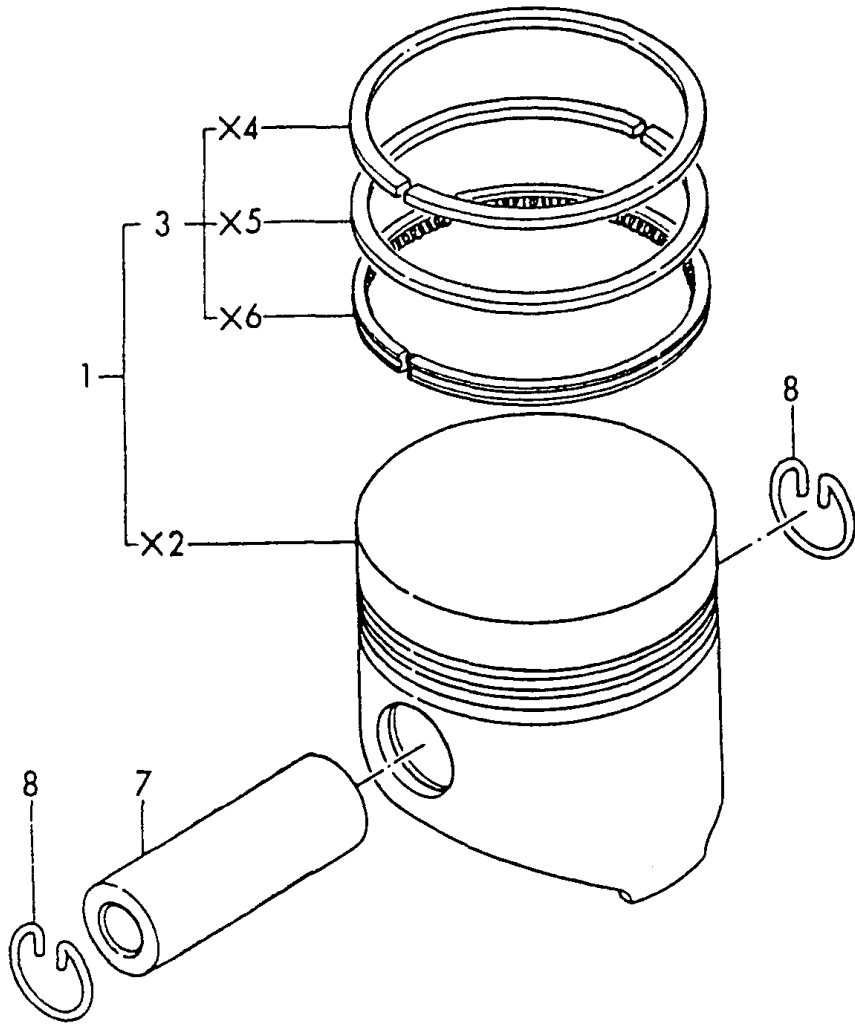
(A)=3HM35
(B)=3HM35C
(C)=3HM35F

(D)=
(E)=
(F)=

No.	Lev.	Parts No.	Description	Qty						I	R	
				(A)	(B)	(C)	(D)	(E)	(F)			
1	1	728671-21700	CRANKSHAFT ASSY			1						
3	2	22312-080160	PIN, PARALLEL M8X16			1						
4	2	22512-070180	KEY, 7X 18			1						
5	2	22512-070180	KEY, 7X 18			1						
7	1	129350-21200	GEAR, CRANKSHAFT			1						
8	1	121450-21540	NUT, CRANKSHAFT GEAR			1						
9	1	128670-21590	FLYWHEEL ASSY			1						
11	2	105212-21600	GEAR, RING			1						
12	1	121574-21500	BOLT, FLYWHEEL 10 45			5						
13	1	128695-21650	V-PULLEY			1						
14	1	26776-180002	NUT, LOCK M18			1						

Fig.26. PISTON

Fig. **26** ピストン
PISTON



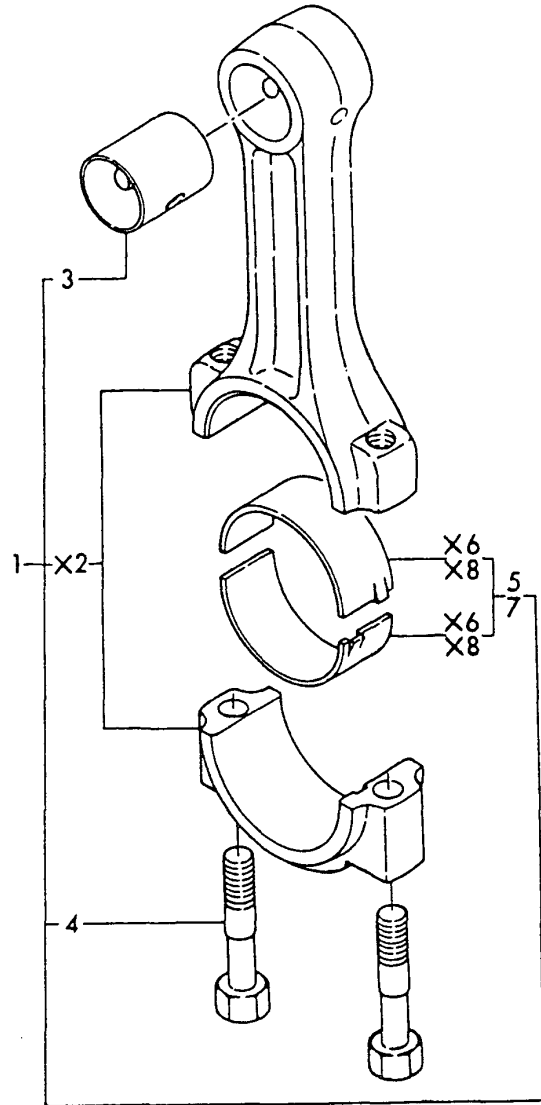
(A)=3HM35
(B)=3HM35C
(C)=3HM35F

(D)=
(E)=
(F)=

No.	Lev.	Parts No.	Description	Qty						I	R
				(A)	(B)	(C)	(D)	(E)	(F)		
1	1	128671-22090	PISTON ASSY	3	3	3					
3	2	728671-22500	RING SET, PISTON	3	3	3					
7	1	104200-22300	PIN, PISTON	3	3	3					
8	1	172100-22400	CIRCLIP	6	6	6					

Fig.27. CONNECTING ROD

Fig. **27** コネクティングロッド
CONNECTING ROD



(A)=3HM35
(B)=3HM35C
(C)=3HM35F

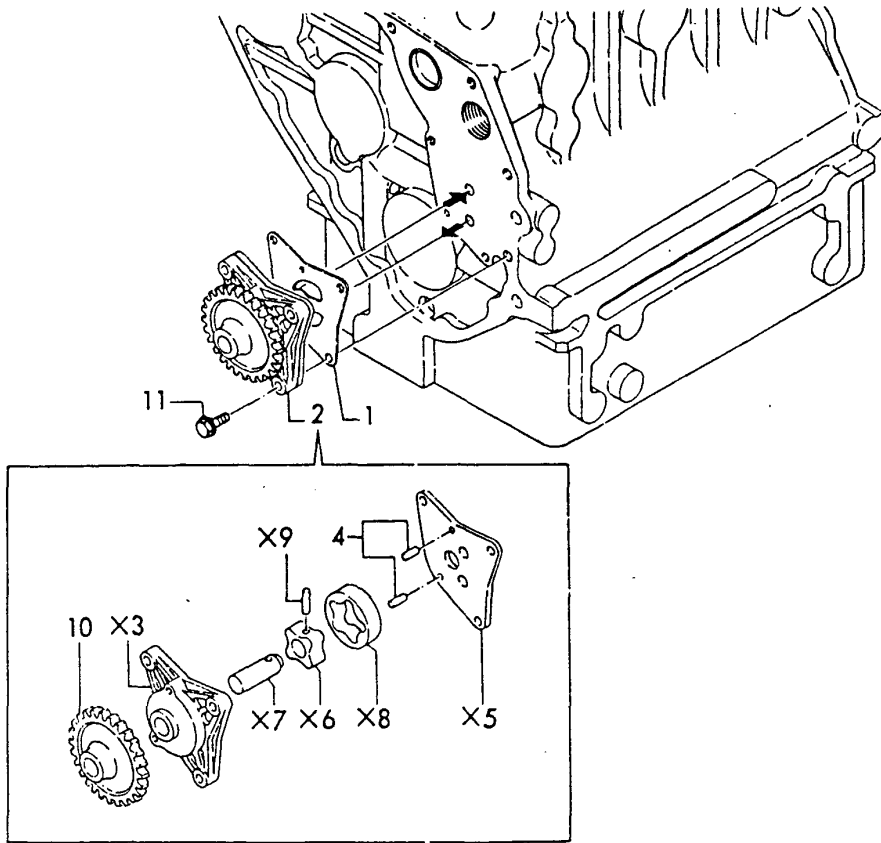
(D)=
(E)=
(F)=

No.	Lev.	Parts No.	Description	Qty						I	R
				(A)	(B)	(C)	(D)	(E)	(F)		
1	1	721550-23100	ROD ASSY, CONNECTING	3	3	3					
3	2	124060-23100	BEARING, PISTON PIN	3	3	3					
4	2	121550-23200	BOLT, CONNECTING ROD	6	6	6					
5	2	721550-23600	BEARING, CRANK PIN	3	3	3					
7	1	121550-23380	BEARING, 0.25 US	3	3	3					A

Remarks
A) FOR REPLACEMENT PARTS

Fig.28. LUB. OIL PUMP

Fig. **28** LOポンプ
LUB. OIL PUMP



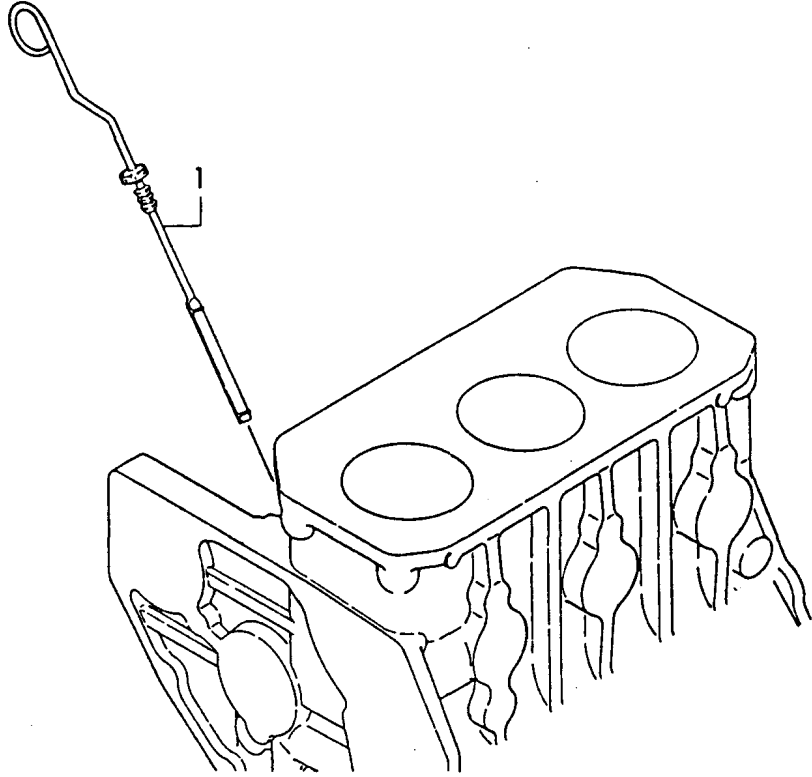
(A)=3HM35
(B)=3HM35C
(C)=3HM35F

(D)=
(E)=
(F)=

No.	Lev.	Parts No.	Description	Q'ty						I	R
				(A)	(B)	(C)	(D)	(E)	(F)		
1	1	121450-32021	GASKET, PUMP	1	1	1					
2	1	121575-32090	PUMP ASSY, OIL	1	1	1					
4	2	121450-32050	PIN	2	2	2					
10	2	121450-32200	GEAR, OIL PUMP	1	1	1					
11	1	26106-060202	BOLT, M6X 20 PLATED	3	3	3					

Fig.29. LUB. OIL DIPSTICK

Fig. **29** ケンユボウ
LUB. OIL DIPSTICK



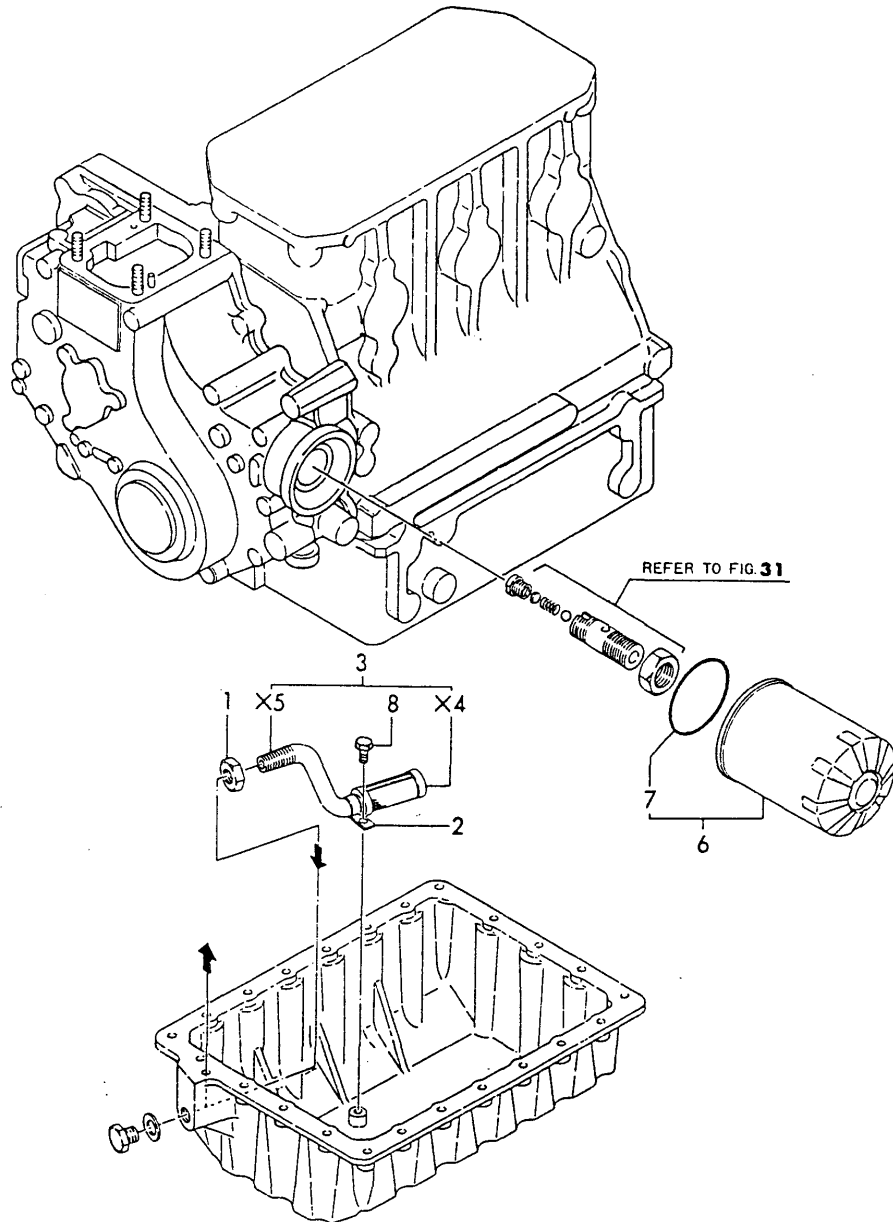
(A)=3HM35
(B)=3HM35C
(C)=3HM35F

(D)=
(E)=
(F)=

No.	Lev.	Parts No.	Description	Qty						I	R
				(A)	(B)	(C)	(D)	(E)	(F)		
1	1	128695-34800	DIPSTICK, OIL	1	1	1					

Fig.30. LUB. OIL STRAINER

Fig. **30** LOストレーナ
LUB. OIL STRAINER



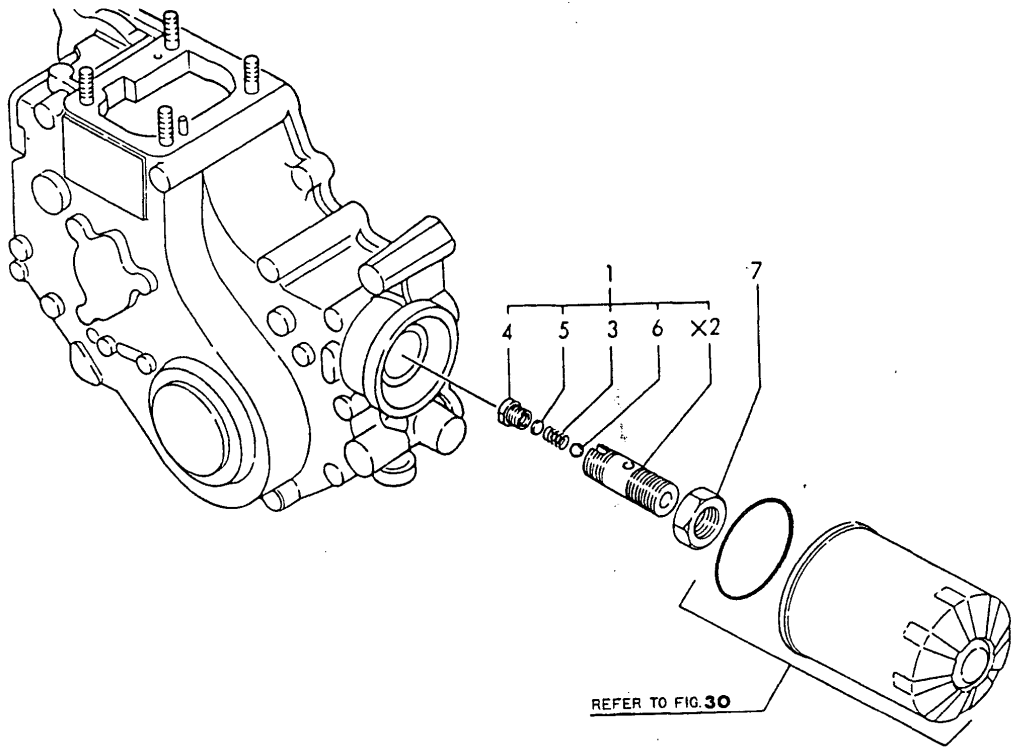
(A)=3HM35
(B)=3HM35C
(C)=3HM35F

(D)=
(E)=
(F)=

No.	Lev.	Parts No.	Description	Qty						I	R
				(A)	(B)	(C)	(D)	(E)	(F)		
1	1	124450-35070	NUT, PF1/4	1	1	1					
2	1	121370-35080	RETAINER, PIPE	1	1	1					
3	1	121575-35090	PIPE ASSY, OIL INLET	1	1	1					
6	1	124550-35110	ELEMENT	1	1	1					
7	2	124450-35110	O-RING	1	1	1					
8	1	26106-060142	BOLT, M6X 14 PLATED	1	1	1					

Fig.31. LUB. OIL PRESS. REGULATING VALVE

Fig. **31** LOチョウアツベン
L.O. PRESS. REGULATING VALVE



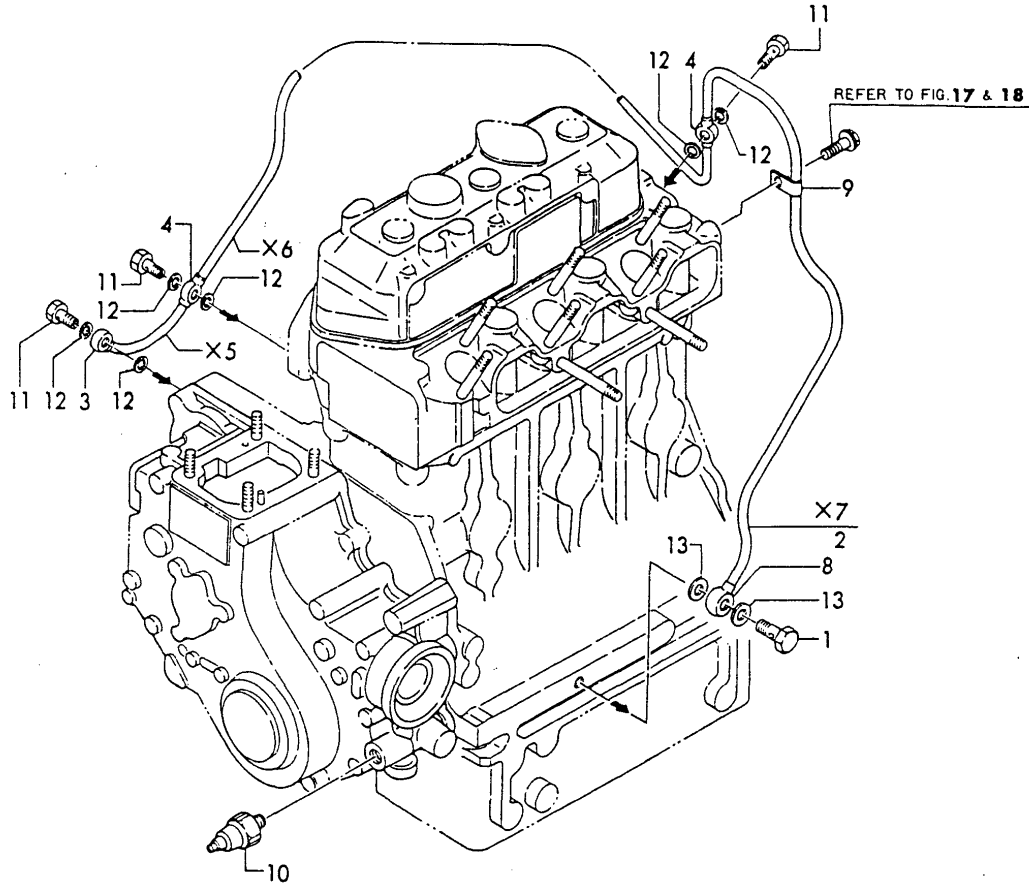
(A)=3HM35
(B)=3HM35C
(C)=3HM35F

(D)=
(E)=
(F)=

No.	Lev.	Parts No.	Description	Q'ty						I	R
				(A)	(B)	(C)	(D)	(E)	(F)		
1	1	124085-35300	VALVE ASSY, CONTROL	1	1	1					
3	2	121250-35320	SPRING, VALVE	1	1	1					
4	2	121250-35330	RETAINER, SPRING	1	1	1					
5	2	121250-35340	SHIM	1	1	1					
6	2	24190-100001	BALL, STEEL 5/16	1	1	1					
7	1	124085-35350	NUT, M20	1	1	1					

Fig.32. LUB. OIL PIPE

Fig. **32** LOパイプ
LUB. OIL LINES



(A)=3HM35
(B)=3HM35C
(C)=3HM35F

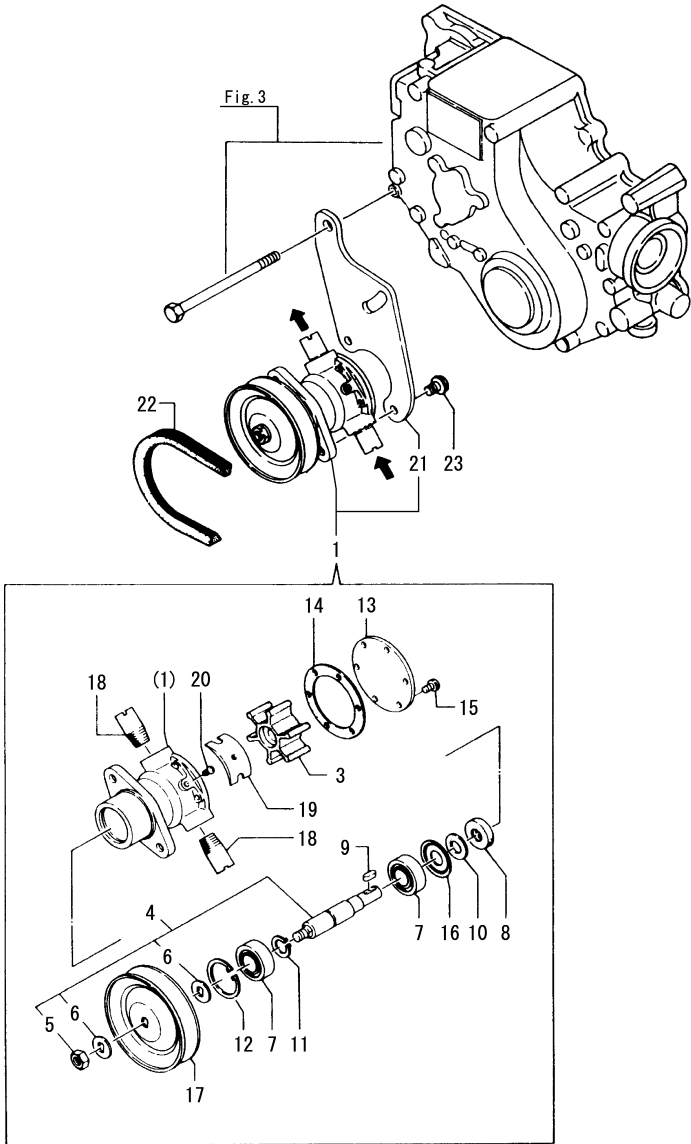
(D)=
(E)=
(F)=

No.	Lev.	Parts No.	Description	Q'ty						I	R
				(A)	(B)	(C)	(D)	(E)	(F)		
1	1	124160-39140	BOLT, PIPE JOINT M10	1	1	1					
2	1	121575-39200	PIPE ASSY, OIL	1	1	1					
3	2	103288-39170	JOINT, PIPE	1	1	1					
4	2	124450-39180	JOINT, PIPE	2	2	2					
8	2	124160-39540	JOINT, PIPE 10	1	1	1					
9	1	124450-39240	RETAINER, PIPE	1	1	1					
10	1	124060-39451	SWITCH, 0.2KG	1	1	1					
11	1	124550-59820	BOLT, PIPE JOINT M8	3	3	3					
12	1	23414-080000	GASKET, 8X1.0	6	6	6					
13	1	23414-100000	GASKET, 10X1.0	2	2	2					

Fig.33. COOLING SEA WATER PUMP

(A)=3HM35
(B)=3HM35C
(C)=3HM35F

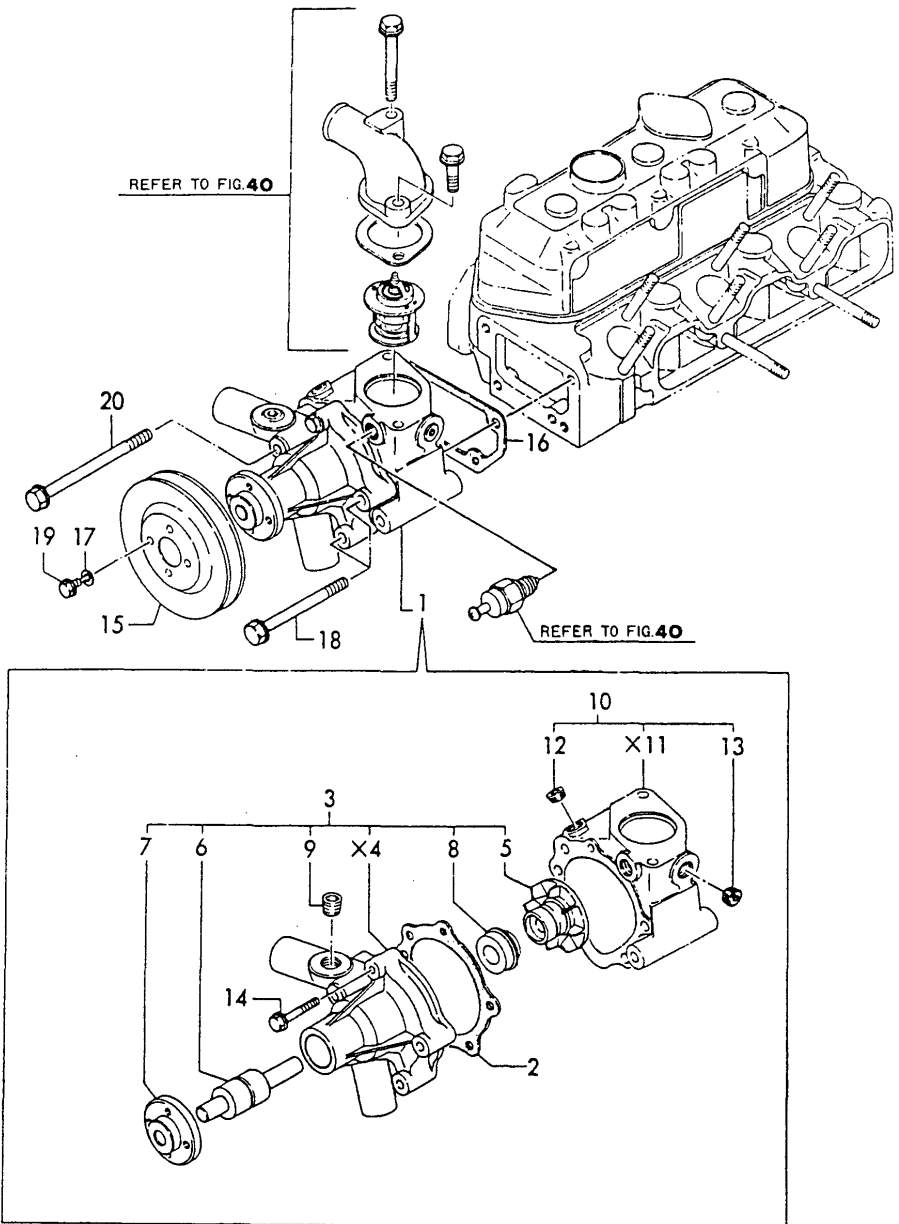
(D)=
(E)=
(F)=



No.	Lev.	Parts No.	Description	Qty						I	R
				(A)	(B)	(C)	(D)	(E)	(F)		
1	1	121575-42000	PUMP ASSY, WATER	1	1	1					
3	2	124223-42091	IMPELLER	1	1	1					
4	2	721575-42500	SHAFT ASSY	1	1	1					
5	3	26347-080002	NUT, M8	1	1	1					
6	3	124070-42420	WASHER	2	2	2					
7	2	24107-062024	BEARING, BALL 6202ZZ	2	2	2					
8	2	124223-42080	SEAL, TC13X28X7	1	1	1					
9	2	124223-42040	KEY	1	1	1					
10	2	124223-42070	PIECE	1	1	1					
11	2	22242-000150	RING, 15	1	1	1					
12	2	22252-000350	RING, 35	1	1	1					
13	2	121575-42150	COVER	1	1	1					
14	2	124223-42110	GASKET, WATER PUMP	1	1	1					
15	2	26554-040082	SCREW, M4X 8	6	6	6					
16	2	121575-42120	COVER, BEARING	1	1	1					
17	2	124070-42400	V-PULLEY	1	1	1					
18	2	121575-49300	JOINT, PIPE	2	2	2					
19	2	124323-42100	CAM, IMPELLER	1	1	1					
20	2	26554-040102	SCREW, M4X10	1	1	1					
21	2	128270-42150	BRACKET, PUMP	1	1	1					
22	1	104511-78780	V-BELT, M/19	1	1	1					
23	1	26106-080122	BOLT, M8X 12 PLATED	2	2	2					

Fig.34. COOLING FRESH WATER PUMP

Fig. **34** セイスイポンプ
COOLING FRESH WATER PUMP



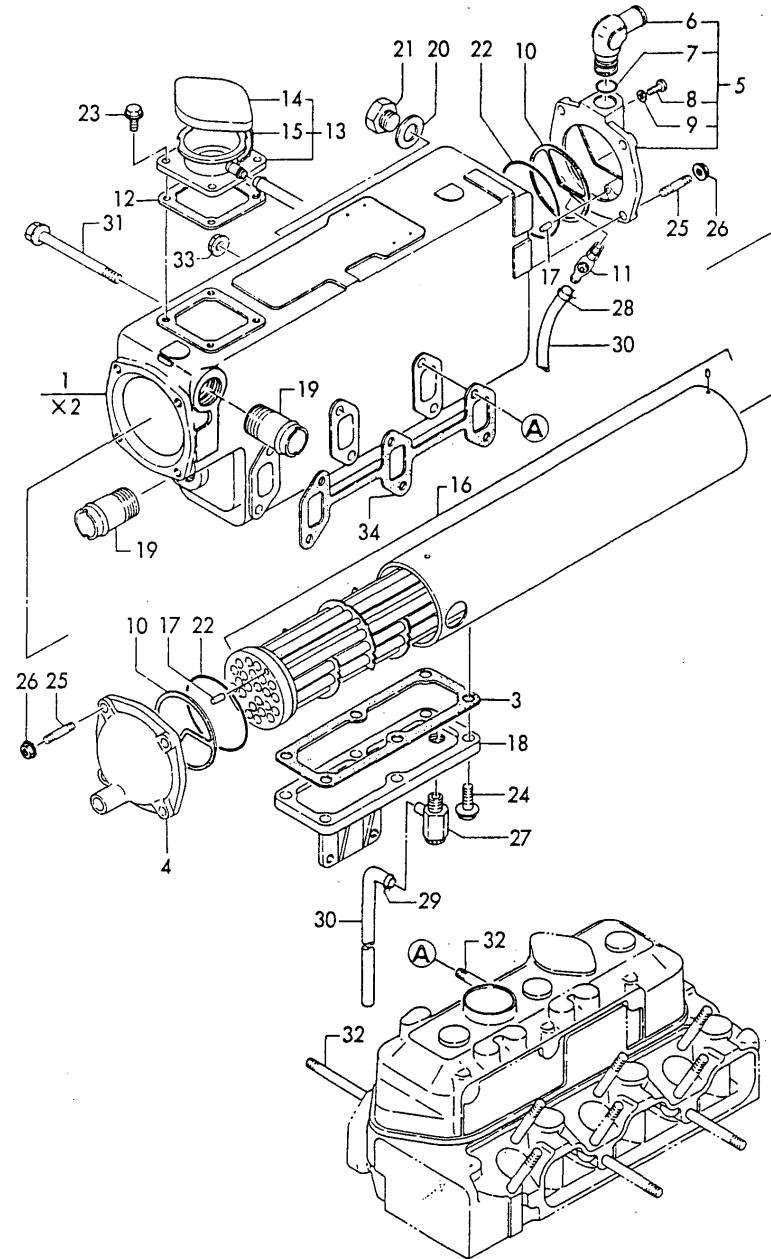
(A)=3HM35
(B)=3HM35C
(C)=3HM35F

(D)=
(E)=
(F)=

No.	Lev.	Parts No.	Description	Q'ty						I	R
				(A)	(B)	(C)	(D)	(E)	(F)		
1	1	128695-42010	PUMP ASSY, WATER			1					
2	2	121000-42051	GASKET, WATER PUMP			1					
3	2	121000-42100	PUMP ASSY, WATER			1					
5	3	129350-42200	IMPELLER			1					
6	3	121450-42240	BEARING, SHAFT			1					
7	3	121450-42260	FLANGE, V-PULLEY			1					
8	3	121450-42310	SEAL, MECHANICAL			1					
9	3	23873-030000	PLUG, R03			1					
10	2	728695-43500	BRACKET ASSY			1					
12	3	23871-020000	PLUG, R02			1					
13	3	23873-030000	PLUG, R03			1					
14	2	26106-060322	BOLT, M6X 32 PLATED			1					
15	1	128695-42350	V-PULLEY			1					
16	1	121450-44410	GASKET			1					
17	1	22217-060000	WASHER, SPRING 6			4					
18	1	26106-080902	BOLT, M8X 90 PLATED			3					
19	1	26106-060102	BOLT, M6X 10 PLATED			4					
20	1	26106-081102	BOLT, M8X110 PLATED			1					

Fig.35. COOLING FRESH WATER COOLER

Fig. **35** セイスクーラ
COOLING FRESH WATER COOLER



(A)=3HM35
(B)=3HM35C
(C)=3HM35F

(D)=
(E)=
(F)=

No.	Lev.	Parts No.	Description	Qty						I	R
				(A)	(B)	(C)	(D)	(E)	(F)		
1	1	728695-44502	COOLER ASSY, WATER			1					
3	2	120345-13160	GASKET, MANIFOLD			1					
4	2	128695-44050	COVER, COOLER			1					
5	2	728690-44710	COVER ASSY			1					
6	3	128690-49310	ELBOW			1					
7	3	24311-000160	O-RING, 1AP16.0			1					
8	3	26554-050102	SCREW, M5X10			1					
9	3	23414-050000	GASKET, 5X1.0			1					
10	2	128695-44070	GASKET			2					
11	2	128695-44090	COCK			1					
12	2	123682-44200	GASKET			1					
13	2	123682-44190	FILLER ASSY			1					
14	3	123682-44210	CAP, RADIATOR			1					
15	3	123682-44220	CHAIN			1					
16	2	128695-44400	PIPE ASSY, COOLING			1					
17	2	124790-44470	PIN			2					
18	2	128695-44480	COVER, TANK			1					
19	2	124160-49480	JOINT, PIPE			2					
20	2	23414-170022	GASKET, 17X1.0			1					
21	2	23893-030002	PLUG, G3/8			1					
22	2	24311-000700	O-RING, 1AP70.0			2					
23	2	26106-060142	BOLT, M6X 14 PLATED			4					
24	2	26106-080202	BOLT, M8X 20 PLATED			6					
25	2	26216-060202	STUD, M6X 20			8					
26	2	26366-060002	NUT, M6			8					
27	2	120130-49350	COCK, 1/4			1					
28	1	124722-59050	CLIP, HOSE 9			1					
29	1	124460-77680	RETAINER			1					
30	1	23061-070300	PIPE, 7X 300			2					
31	1	26106-080902	BOLT, M8X 90 PLATED			4					
32	1	26216-080902	STUD, M8X 90			2					
33	1	26366-080002	NUT, M8			2					
34	1	121550-13520	GASKET			1					

Fig.36. SUB-TANK

Fig. **36** サブタンク
SUB-TANK

(A)=3HM35
(B)=3HM35C
(C)=3HM35F

(D)=
(E)=
(F)=

No.	Lev.	Parts No.	Description	Qty						I	R	
				(A)	(B)	(C)	(D)	(E)	(F)			
1	1	720445-44200	TANK ASSY, SUB			1						
2	2	120445-44540	SUPPORT			1						
3	1	124790-44560	PIPE, WATER L=1000			1						
4	1	23010-013000	CLAMP 13			2						

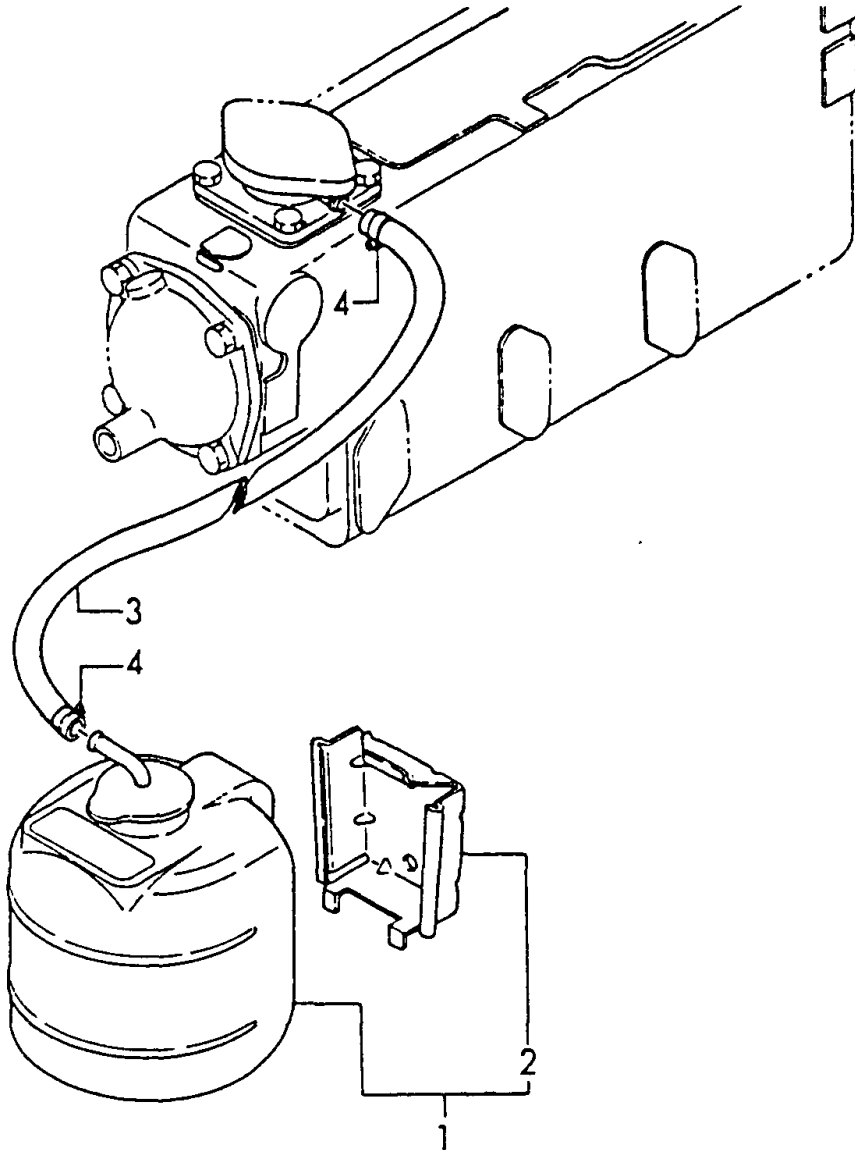
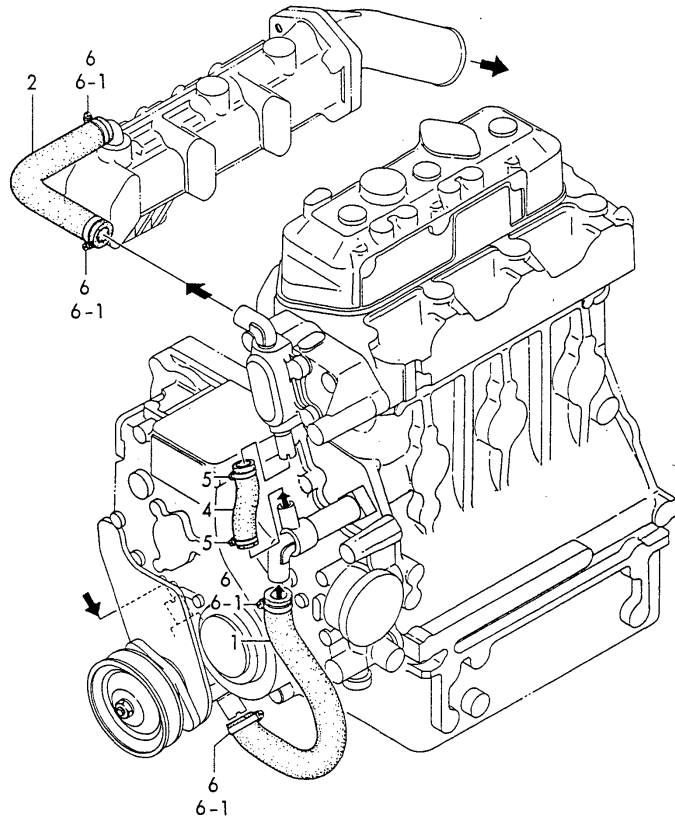
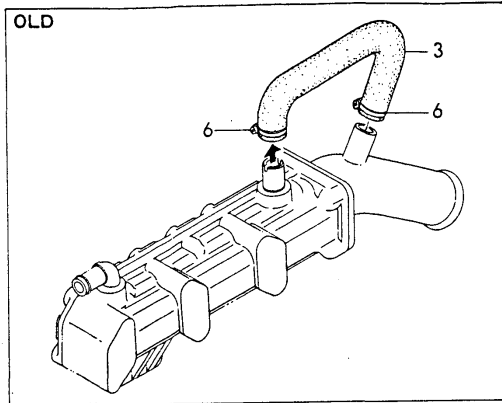


Fig.37. COOLING WATER PIPE

Fig. **37** CWパイプ
COOLING WATER LINES



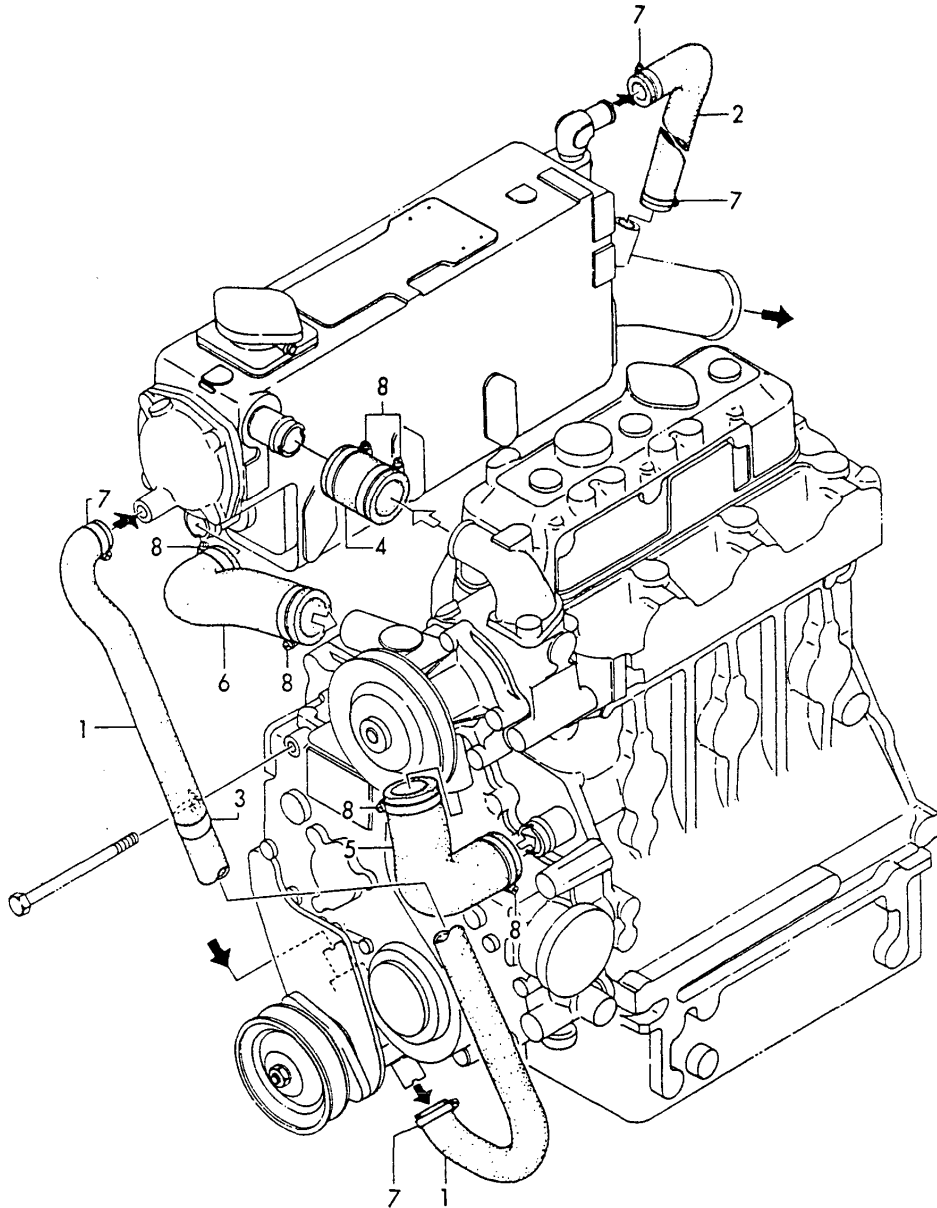
(A)=3HM35
(B)=3HM35C
(C)=3HM35F

(D)=
(E)=
(F)=

No.	Lev.	Parts No.	Description	Q'ty						I	R
				(A)	(B)	(C)	(D)	(E)	(F)		
1	1	128670-49010	PIPE, WATER	1	1						
2	1	121575-49020	PIPE, WATER	1	1						
3	1	121370-49040	PIPE, WATER	1	1						Z
(A=E00726)											
4	1	128270-49050	PIPE, WATER	1	1						
5	1	23000-022000	CLAMP, 22	2	2						
6	1	23000-025000	CLAMP, 25	6	6						
6-1	1	23000-025000	CLAMP, 25	4	4						K
(A=E00726)											

Fig.38. COOLING WATER PIPE

Fig. **38** CWパイプ
COOLING WATER LINES



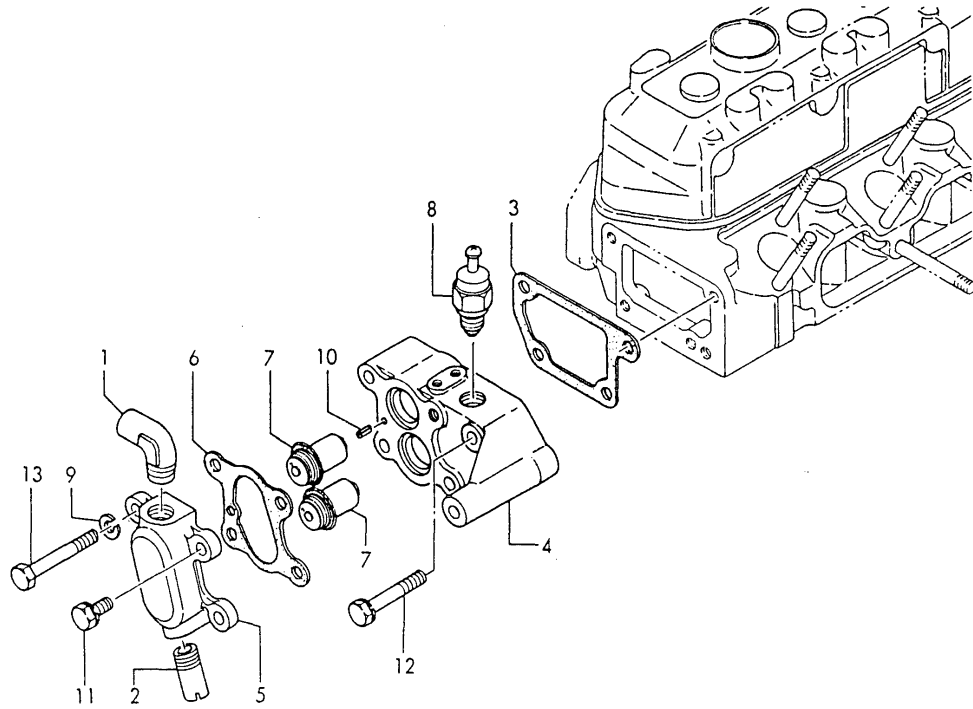
(A)=3HM35
(B)=3HM35C
(C)=3HM35F

(D)=
(E)=
(F)=

No.	Lev.	Parts No.	Description	Q'ty						I	R
				(A)	(B)	(C)	(D)	(E)	(F)		
1	1	128690-49010	PIPE, WATER			1					
2	1	124770-49040	PIPE, WATER			1					
3	1	121575-49310	RETAINER, PIPE			1					
4	1	128695-49520	PIPE, WATER			1					
5	1	128695-49530	PIPE, WATER			1					
6	1	128695-49530	PIPE, WATER			1					
7	1	23000-025000	CLAMP, 25			4					
8	1	23000-041000	CLAMP, 41			6					

Fig.39. THERMOSTAT

Fig. **39** サーモスタット
THERMOSTAT



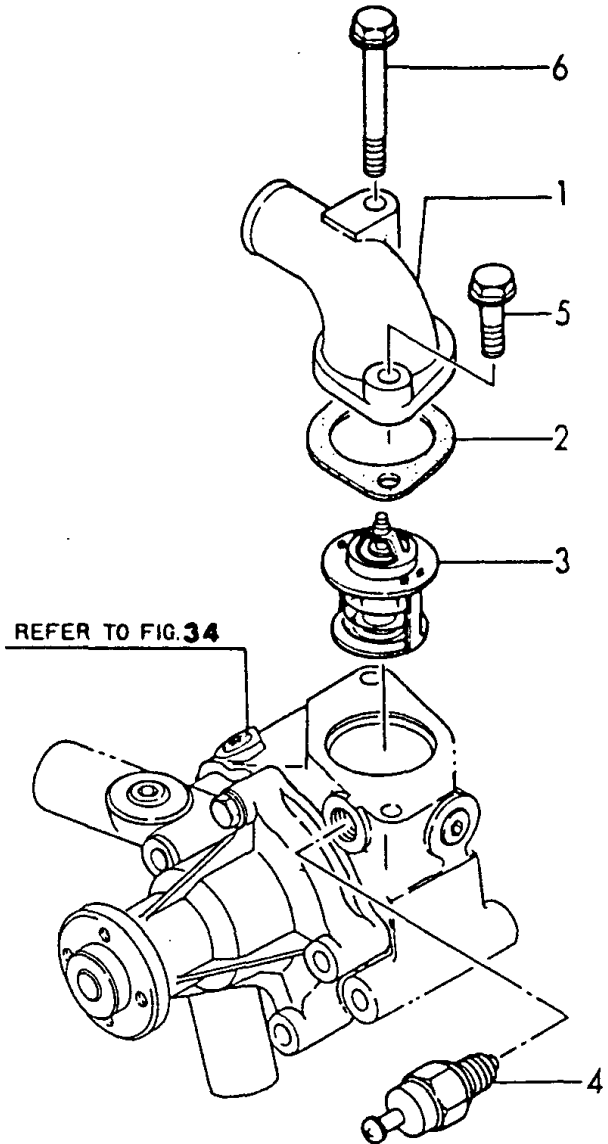
(A)=3HM35
(B)=3HM35C
(C)=3HM35F

(D)=
(E)=
(F)=

No.	Lev.	Parts No.	Description	Q'ty						I	R
				(A)	(B)	(C)	(D)	(E)	(F)		
1	1	124070-13300	ELBOW, PT3/8	1	1						
2	1	127610-42130	JOINT, PIPE	1	1						
3	1	121450-44410	GASKET	1	1						
4	1	121575-49100	BRACKET, THERMOSTAT	1	1						
5	1	121575-49150	COVER, THERMOSTAT	1	1						
6	1	121575-49160	GASKET	1	1						
7	1	105582-49200	THERMOSTAT	2	2						
8	1	128275-91340	SWITCH, 65	1	1						
9	1	22217-080000	WASHER, SPRING 8	3	3						
10	1	22351-040008	PIN, SPRING 4.0X 8	1	1						
11	1	26013-080202	BOLT, M8X 20	1	1						
12	1	26013-080502	BOLT, M8X 50	1	1						
13	1	26116-080602	BOLT, M8X 60 PLATED	3	3						

Fig.40. THERMOSTAT

Fig. **40** サーモスタット
THERMOSTAT



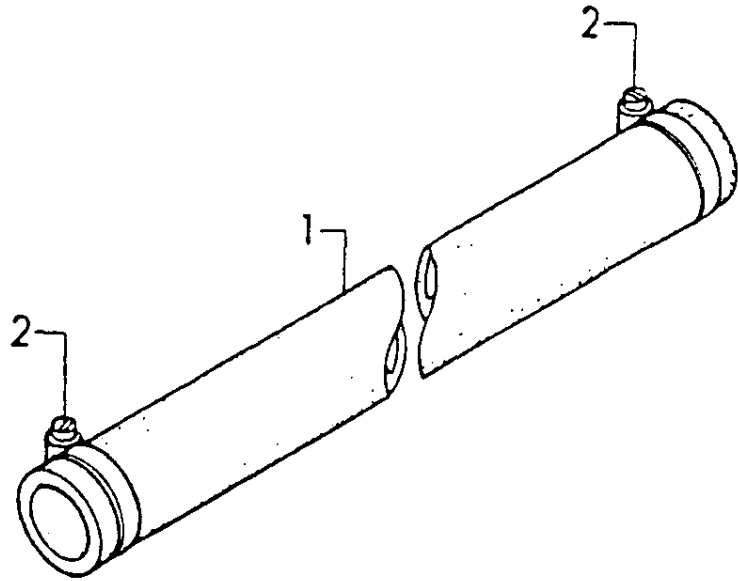
(A)=3HM35
(B)=3HM35C
(C)=3HM35F

(D)=
(E)=
(F)=

No.	Lev.	Parts No.	Description	Q'ty						I	R
				(A)	(B)	(C)	(D)	(E)	(F)		
1	1	128695-49550	COVER, THERMOSTAT			1					
2	1	129350-49540	GASKET			1					
3	1	121750-49800	THERMOSTAT			1					
4	1	127610-91350	SWITCH, 95			1					
5	1	26106-080302	BOLT, M8X 30 PLATED			1					
6	1	26106-080652	BOLT, M8X 65 PLATED			1					

Fig.41. COOLING WATER PIPE

Fig. **41** CWパイプ
COOLING WATER PIPE



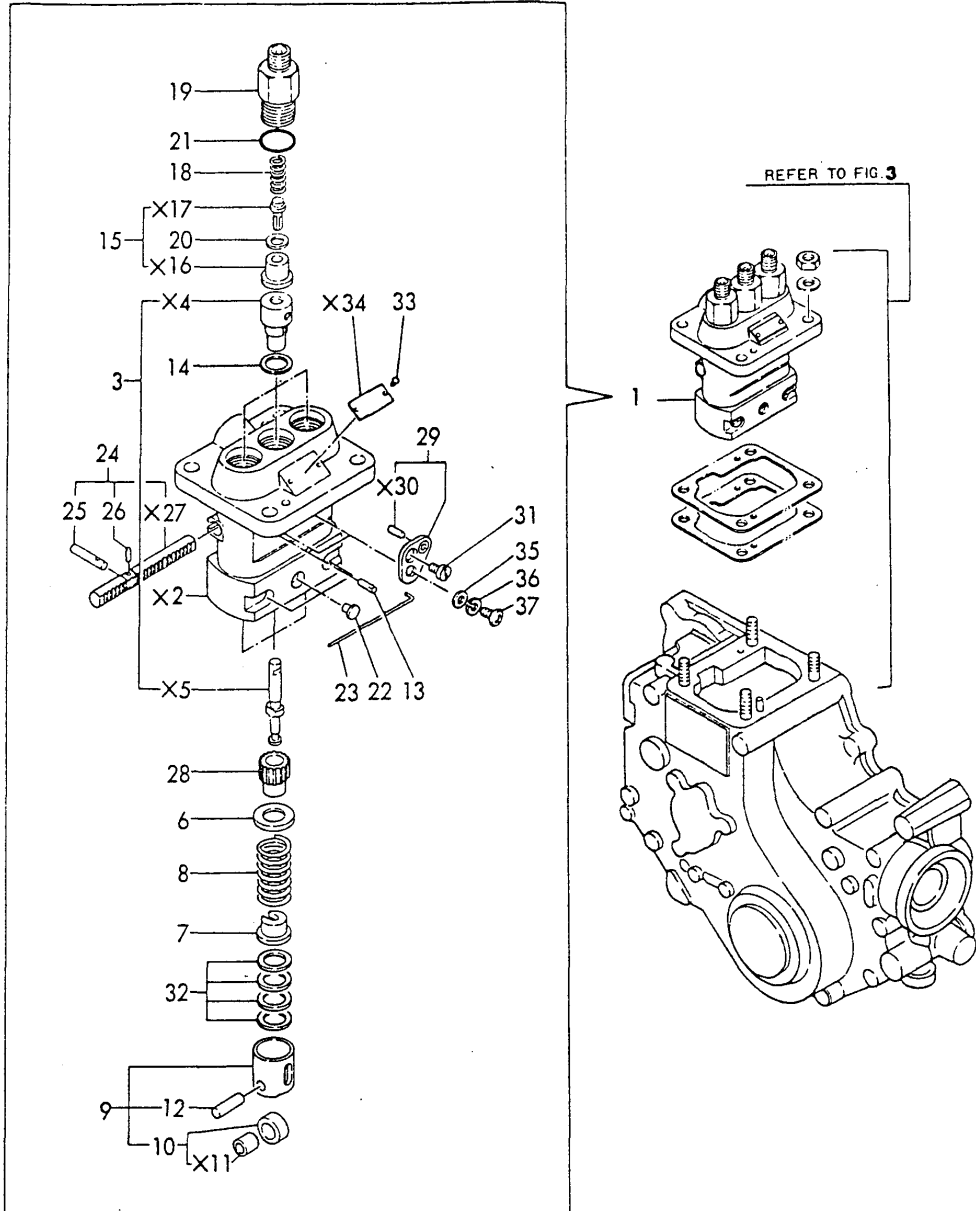
(A)=3HM35
(B)=3HM35C
(C)=3HM35F

(D)=
(E)=
(F)=

No.	Lev.	Parts No.	Description	Qty						I	R	
				(A)	(B)	(C)	(D)	(E)	(F)			
1	1	124223-49050	PIPE, WATER			1						
2	1	23000-022000	CLAMP, 22			2						

Fig.42. FUEL INJECTION PUMP

Fig. **42** FOポンプ
FUEL INJECTION PUMP



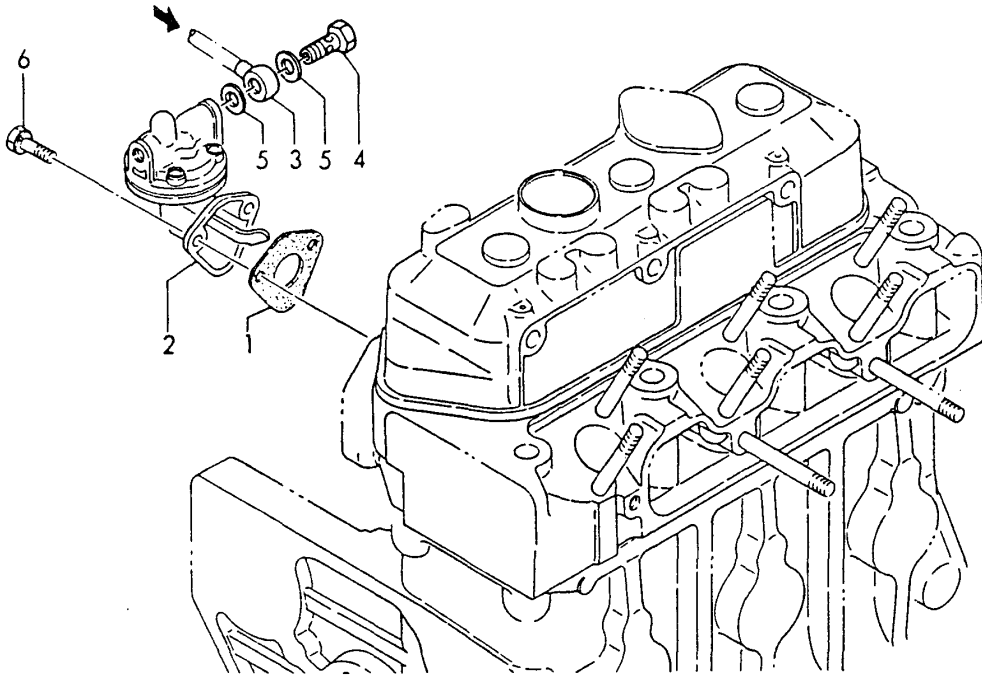
(A)=3HM35
(B)=3HM35C
(C)=3HM35F

(D)=
(E)=
(F)=

No.	Lev.	Parts No.	Description	Qty						I	R
				(A)	(B)	(C)	(D)	(E)	(F)		
1	1	728671-51100	PUMP ASSY, INJECTION	1	1	1					
3	2	128696-51100	PLUNGER ASSY	3	3	3					
6	2	174307-51170	RETAINER, SPRING A	3	3	3					
7	2	174307-51181	RETAINER, SPRING B	3	3	3					
8	2	124950-51190	SPRING, PLUNGER	3	3	3					
9	2	724550-51520	GUIDE, PLUNGER	3	3	3					
10	3	711100-51540	ROLLER ASSY	3	3	3					
12	3	174100-54120	PIN	3	3	3					
13	2	103854-51251	PIN, PLUNGER	1	1	1					
14	2	124950-51270	GASKET	3	3	3					
15	2	128696-51300	VALVE ASSY, DELIVERY	3	3	3					
18	2	124550-51320	SPRING, DELIVERY	3	3	3					
19	2	124550-51341	HOLDER, DELIVERY L43	3	3	3					
20	2	124550-51350	GASKET, DELIVERY	3	3	3					
21	2	124550-51370	O-RING	3	3	3					
22	2	124950-51450	PIECE, GUIDE	3	3	3					
23	2	121150-51460	PIN, GUIDE	1	1	1					
24	2	121450-51500	RACK, CONTROL	1	1	1					
25	3	121450-51550	PIN	1	1	1					
26	3	124550-51590	RETAINER	1	1	1					
28	2	124950-51510	PINION	3	3	3					
29	2	124950-51640	PLATE ASSY, ADJUST	2	2	2					
31	2	103854-51660	SCREW	2	2	2					
32	2	174307-51700	SHIM SET	3	3	3					
33	2	124220-51890	RIVET	2	2	2					
35	2	22117-050000	WASHER, 5	2	2	2					
36	2	22217-050000	WASHER, SPRING 5	2	2	2					
37	2	26587-050102	SCREW, M5X10	2	2	2					

Fig.43. FUEL FEED PUMP

Fig. **43** FOフィードポンプ
FUEL FEED PUMP



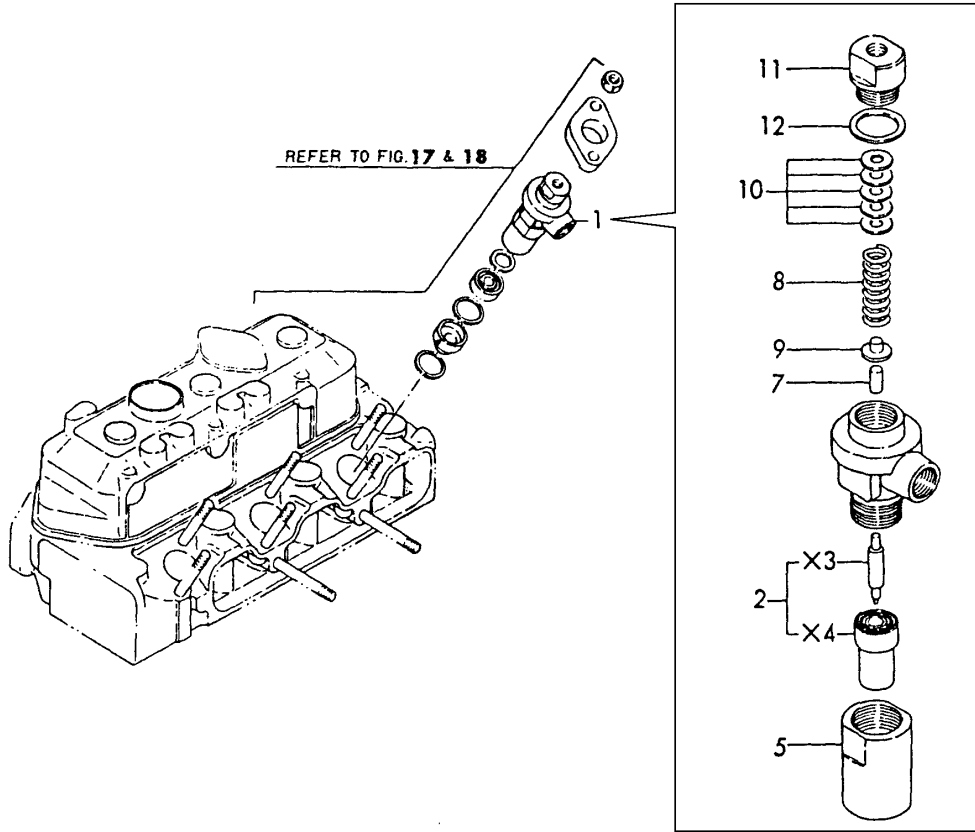
(A)=3HM35
(B)=3HM35C
(C)=3HM35F

(D)=
(E)=
(F)=

No.	Lev.	Parts No.	Description	Q'ty						I	R
				(A)	(B)	(C)	(D)	(E)	(F)		
1	1	121520-01850	GASKET	1	1	1					
2	1	129301-52020	PUMP ASSY, FUEL FEED	1	1	1					
3	1	104264-59030	JOINT, PIPE 8	1	1	1					
4	1	105582-59150	BOLT, PIPE JOINT	1	1	1					
5	1	23414-080000	GASKET, 8X1.0	2	2	2					
6	1	26013-060162	BOLT, M6X 16	2	2	2					

Fig.44. FUEL INJECTION VALVE

Fig.44 FOフンシャベン
FUEL INJECTION VALVE



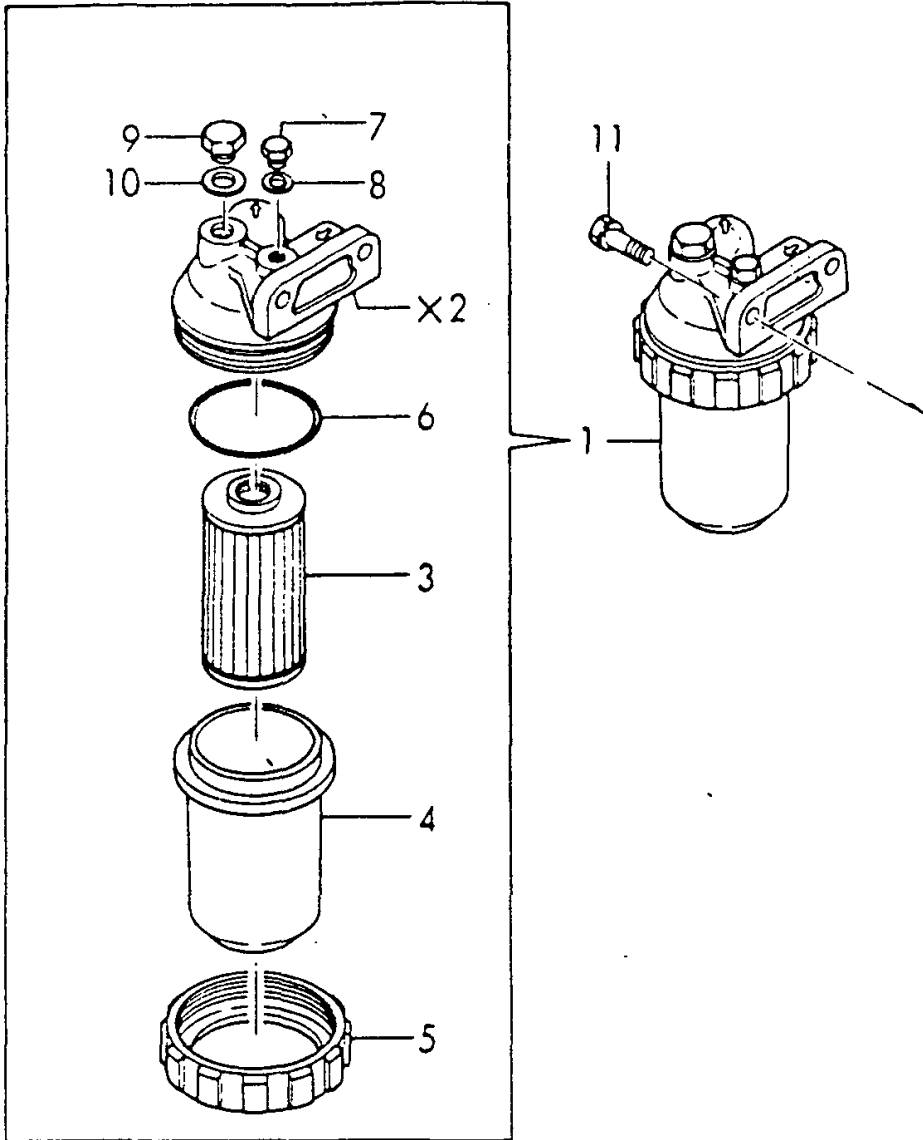
(A)=3HM35
(B)=3HM35C
(C)=3HM35F

(D)=
(E)=
(F)=

No.	Lev.	Parts No.	Description	Q'ty						I	R
				(A)	(B)	(C)	(D)	(E)	(F)		
1	1	721500-53100	VALVE ASSY,INJECTION	3	3	3					
2	2	124770-53000	VALVE ASSY,INJECTION	3	3	3					
5	2	104200-53080	NUT, NOZZLE	3	3	3					
7	2	113200-53110	SPINDLE, INTER	3	3	3					
8	2	104211-53120	SPRING, NOZZLE	3	3	3					
9	2	113200-53120	RETAINER, SPRING	3	3	3					
10	2	110250-53150	PLATE ASSY, ADJUST	3	3	3					
11	2	103854-53180	RETAINER, SPRING	3	3	3					
12	2	172100-53200	GASKET	3	3	3					

Fig.45. FUEL STRAINER

Fig. **45** FOストレーナ
FUEL STRAINER



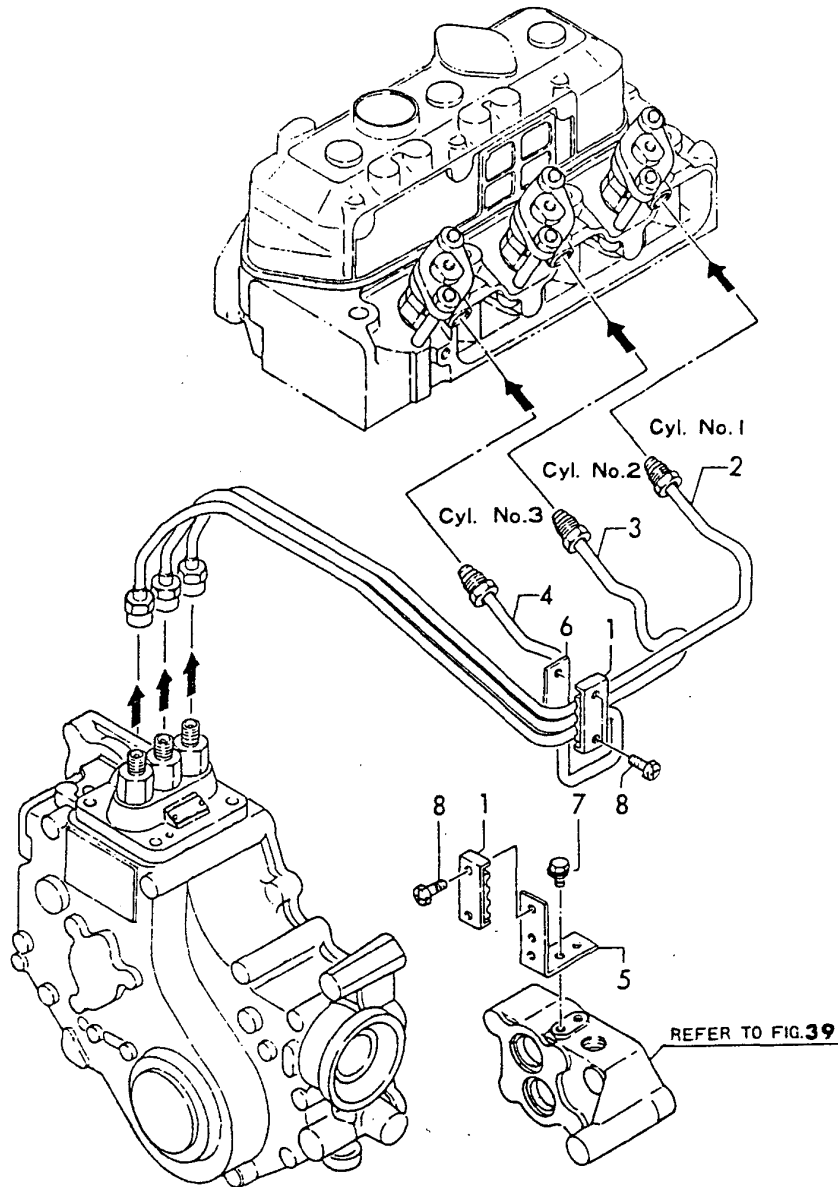
(A)=3HM35
(B)=3HM35C
(C)=3HM35F

(D)=
(E)=
(F)=

No.	Lev.	Parts No.	Description	Qty						I	R
				(A)	(B)	(C)	(D)	(E)	(F)		
1	1	124790-55601	STRAINER ASSY, FUEL	1	1	1					
3	2	104500-55710	ELEMENT	1	1	1					
4	2	121370-55730	CUP, STRAINER	1	1	1					
5	2	110250-55610	RING, RETAINING	1	1	1					
6	2	24341-000440	O-RING, 1AS44.0	1	1	1					
7	2	101720-55750	PLUG, 6	1	1	1					
8	2	23418-060000	GASKET, 6X1.0	1	1	1					
9	2	135210-51900	PLUG	1	1	1					
10	2	23414-080012	GASKET, 8X1.0	1	1	1					
11	1	26013-060162	BOLT, M6X 16	2	2	2					

Fig.46. FUEL INJECTION PIPE

Fig. **46** FOファンシャパイプ
FUEL INJECTION LINES



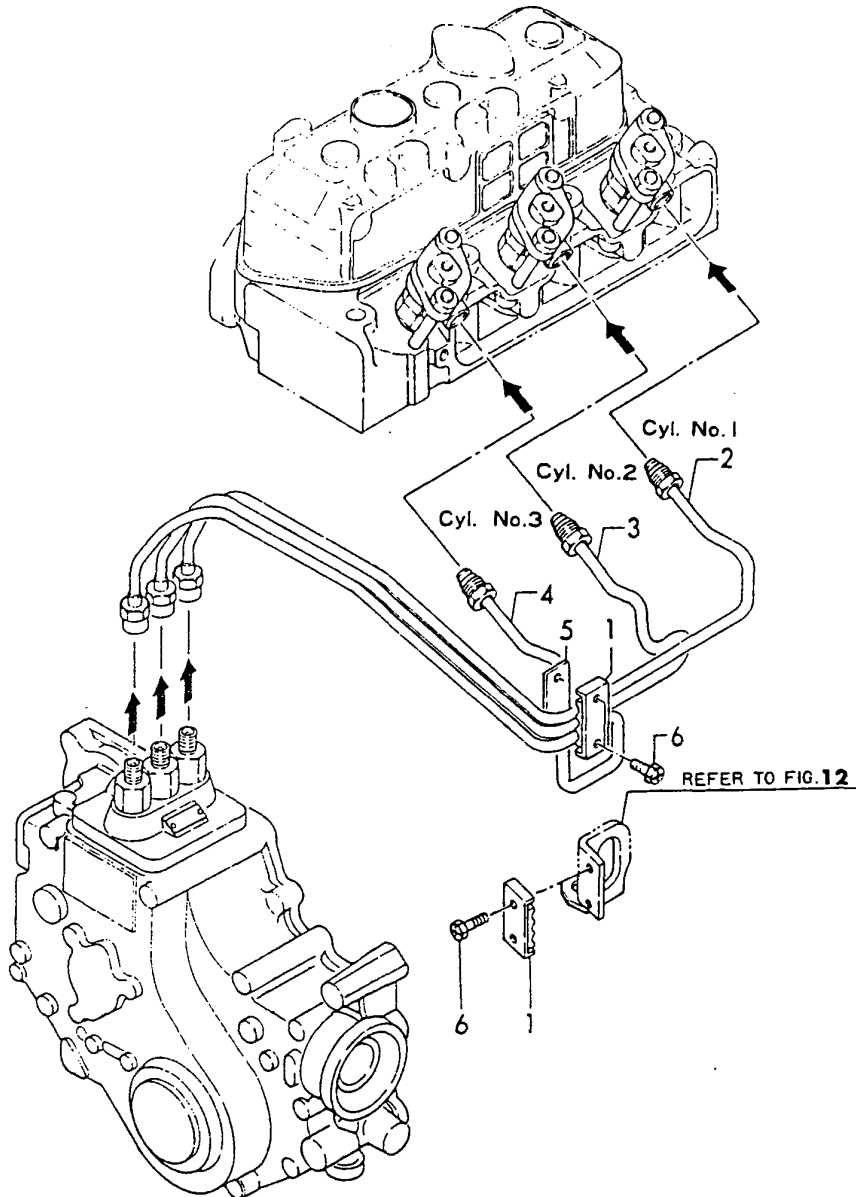
(A)=3HM35
(B)=3HM35C
(C)=3HM35F

(D)=
(E)=
(F)=

No.	Lev.	Parts No.	Description	Q'ty						I	R
				(A)	(B)	(C)	(D)	(E)	(F)		
1	1	123372-59100	RETAINER, PIPE	2	2						
2	1	121550-59810	PIPE, FUEL INJECTION	1	1						
3	1	121550-59820	PIPE ASSY, INJECTION	1	1						
4	1	121550-59830	PIPE ASSY, INJECTION	1	1						
5	1	121450-59850	BRACKET	1	1						
6	1	121250-59860	BRACKET	1	1						
7	1	26106-060102	BOLT, M6X 10 PLATED	2	2						
8	1	121465-59950	BOLT, M6X16	4	4						

Fig.47. FUEL INJECTION PIPE

Fig. **47** FOフンシャパイプ
FUEL INJECTION LINES



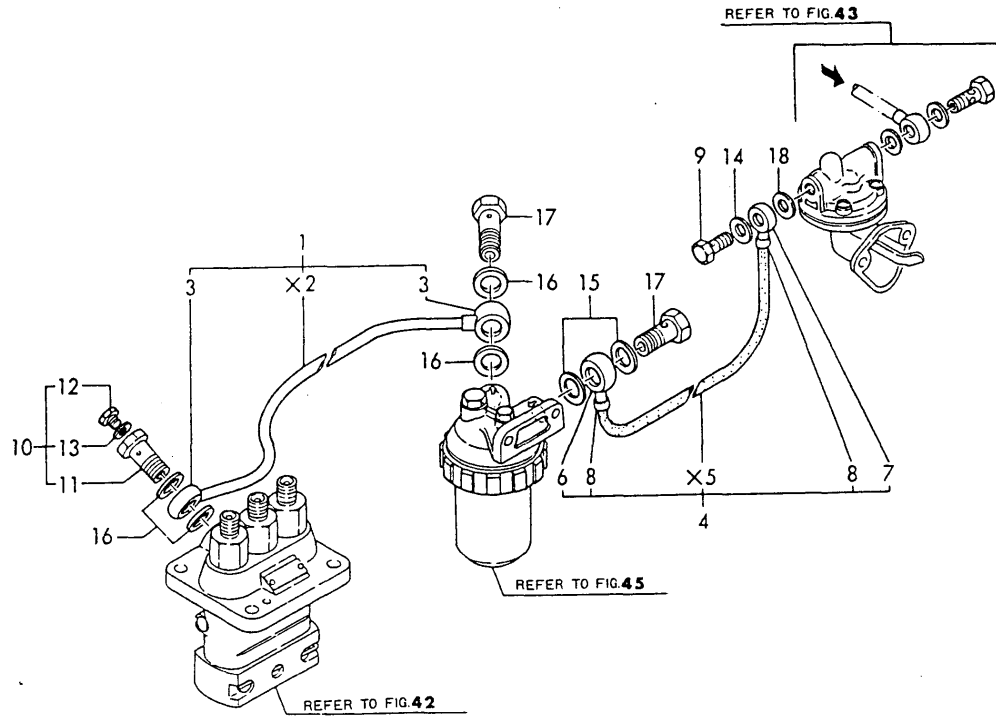
(A)=3HM35
(B)=3HM35C
(C)=3HM35F

(D)=
(E)=
(F)=

No.	Lev.	Parts No.	Description	Q'ty						I	R	
				(A)	(B)	(C)	(D)	(E)	(F)			
1	1	123372-59100	RETAINER, PIPE			2						
2	1	128695-59810	PIPE ASSY, INJECTION			1						
3	1	128695-59820	PIPE ASSY, INJECTION			1						
4	1	128695-59830	PIPE ASSY, INJECTION			1						
5	1	121250-59860	BRACKET			1						
6	1	121465-59950	BOLT, M6X16			4						

Fig.48. FUEL PIPE

Fig. **48** FOパイプ
FUEL LINES



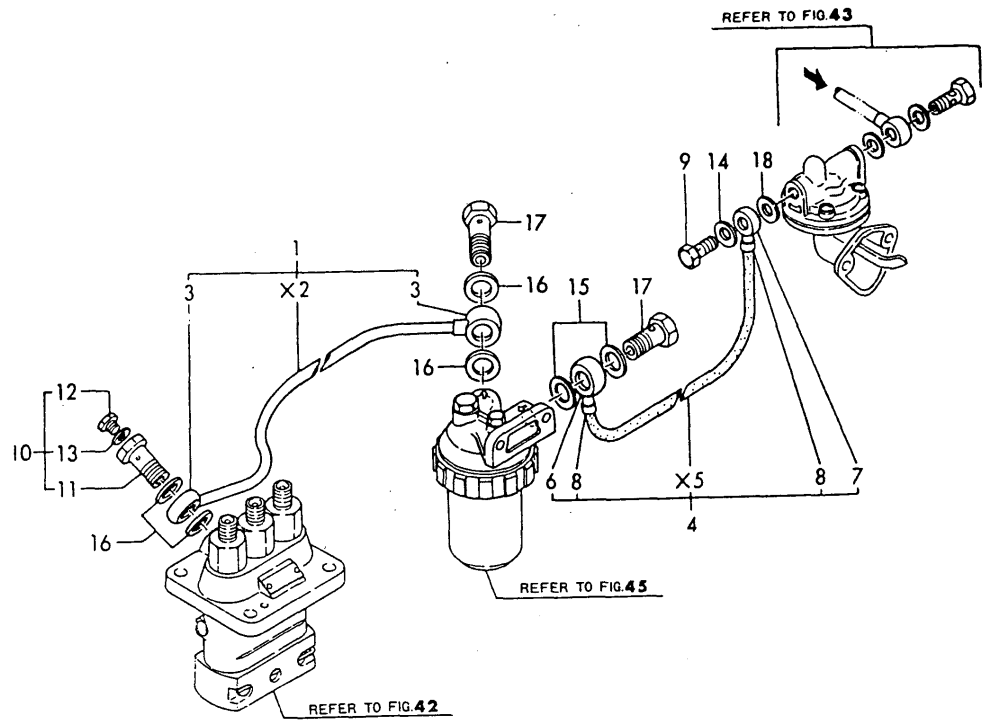
(A)=3HM35
(B)=3HM35C
(C)=3HM35F

(D)=
(E)=
(F)=

No.	Lev.	Parts No.	Description	Qty						I	R
				(A)	(B)	(C)	(D)	(E)	(F)		
1	1	128670-59010	PIPE ASSY, FUEL	1	1						
3	2	23341-060000	JOINT, PIPE 6-12	2	2						
4	1	128670-59081	PIPE ASSY, FUEL	1	1						
6	2	104264-59020	JOINT	1	1						
7	2	104264-59030	JOINT, PIPE 8	1	1						
8	2	104264-59040	CAP	2	2						
9	1	105582-59150	BOLT, PIPE JOINT	1	1						
10	1	103854-59191	BOLT ASSY, JOINT M12	1	1						
11	2	103854-59201	BOLT, PIPE JOINT M12	1	1						
12	2	101720-55750	PLUG, 6	1	1						
13	2	43400-500390	SEAL WASHER 6S	1	1						
14	1	23414-080000	GASKET, 8X1.0	1	1						
15	1	23414-120000	GASKET, 12X1.0	2	2						
16	1	23414-120000	GASKET, 12X1.0	4	4						
17	1	23857-060000	BOLT, JOINT 6	2	2						
18	1	104884-59170	GASKET	1	1						

Fig.49. FUEL PIPE

Fig. **49** FOパイプ
FUEL LINES



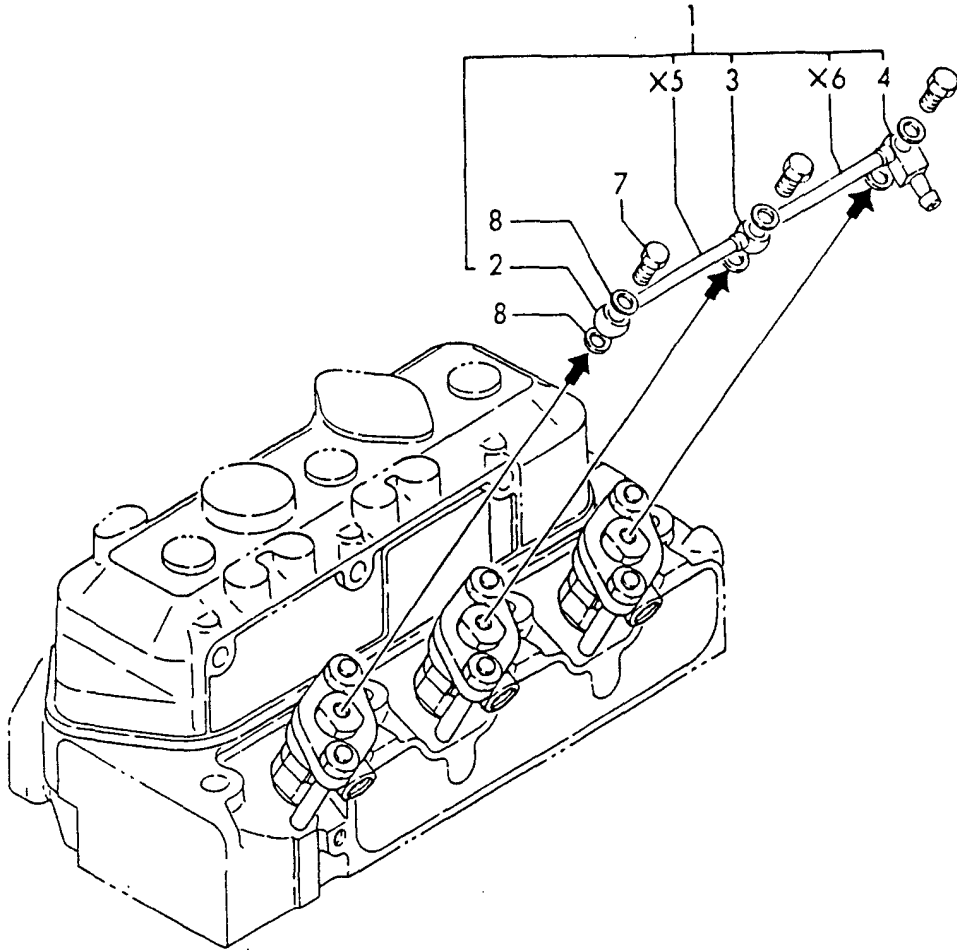
(A)=3HM35
(B)=3HM35C
(C)=3HM35F

(D)=
(E)=
(F)=

No.	Lev.	Parts No.	Description	Qty						I	R	
				(A)	(B)	(C)	(D)	(E)	(F)			
1	1	128690-59010	PIPE ASSY, FUEL			1						
3	2	23341-060000	JOINT, PIPE 6-12			2						
4	1	128370-59081	PIPE ASSY, FUEL			1						
6	2	104264-59020	JOINT			1						
7	2	104264-59030	JOINT, PIPE 8			1						
8	2	104264-59040	CAP			2						
9	1	105582-59150	BOLT, PIPE JOINT			1						
10	1	103854-59191	BOLT ASSY, JOINT M12			1						
11	2	103854-59201	BOLT, PIPE JOINT M12			1						
12	2	101720-55750	PLUG, 6			1						
13	2	43400-500390	SEAL WASHER 6S			1						
14	1	23414-080000	GASKET, 8X1.0			1						
15	1	23414-120000	GASKET, 12X1.0			2						
16	1	23414-120000	GASKET, 12X1.0			4						
17	1	23857-060000	BOLT, JOINT 6			2						
18	1	104884-59170	GASKET			1						

Fig.50. FUEL RETURN PIPE

Fig. **50** FOモドシパイプ
FUEL RETURN PIPE



(A)=3HM35
(B)=3HM35C
(C)=3HM35F

(D)=
(E)=
(F)=

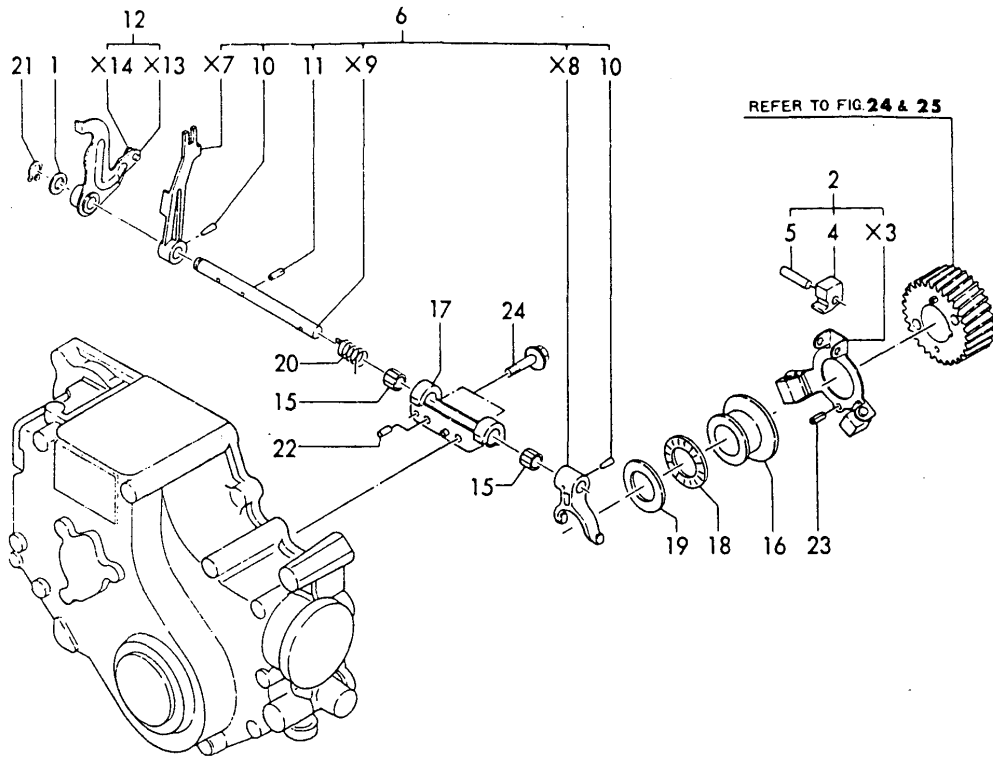
No.	Lev.	Parts No.	Description	Qty						I	R
				(A)	(B)	(C)	(D)	(E)	(F)		
1	1	121575-59500	PIPE ASSY, RETURN	1	1	1					
2	2	103288-39170	JOINT, PIPE	1	1	1					
3	2	124450-39180	JOINT, PIPE	1	1	1					
4	2	124790-59530	JOINT	1	1	1					
7	1	101147-59810	BOLT, PIPE JOINT M8	3	3	3					
8	1	23414-080000	GASKET, 8X1.0	6	6	6					

Fig.51. GOVERNOR DRIVING

(A)=3HM35
(B)=3HM35C
(C)=3HM35F

(D)=
(E)=
(F)=

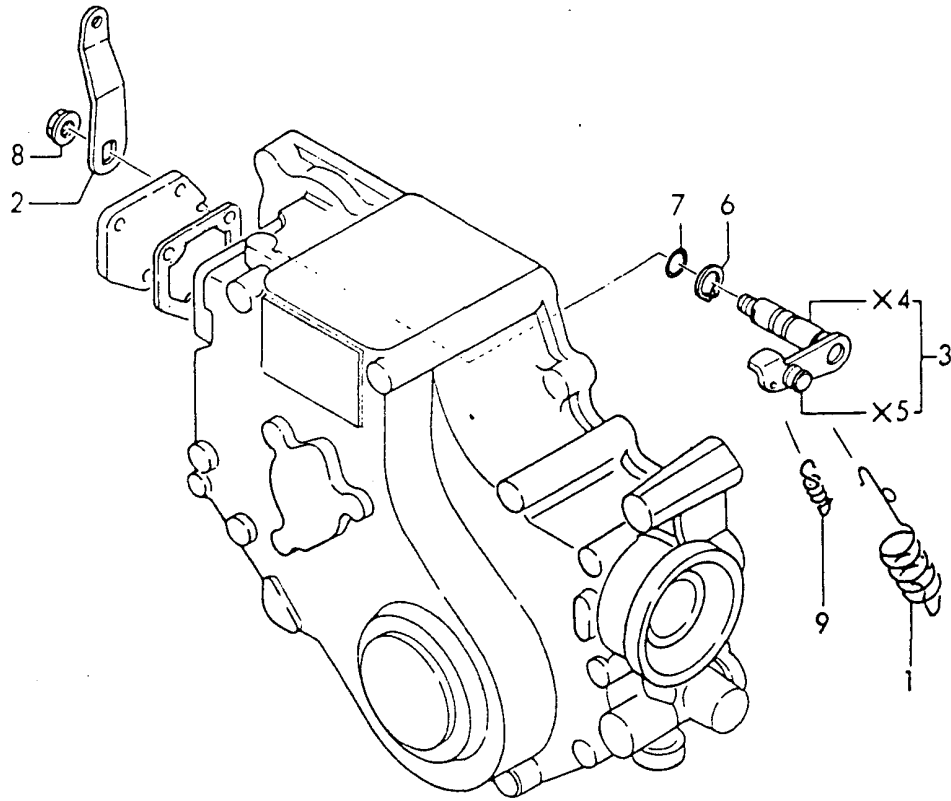
Fig.51 ガバナクドウ
GOVERNOR DRIVING



No.	Lev.	Parts No.	Description	Qty						I	R
				(A)	(B)	(C)	(D)	(E)	(F)		
1	1	104211-42130	PIECE, DISTANCE	1	1	1					
2	1	171016-61100	WEIGHT, GOVERNOR	1	1	1					
4	2	104200-61200	WEIGHT, GOVERNOR	3	3	3					
5	2	121575-61220	PIN, GOVERNOR WEIGHT	3	3	3					
6	1	721500-61560	LEVER ASSY, GOVERNOR	1	1	1					
10	2	22322-030200	PIN, TAPER 3X20	2	2	2					
11	2	22351-030012	PIN, SPRING 3.0X12	1	1	1					
12	1	121575-61160	LEVER ASSY, CONTROL	1	1	1					
15	1	122410-61650	BEARING, FJ-1010W	2	2	2					
16	1	121000-61600	SLEEVE, GOVERNOR	1	1	1					
17	1	121575-61620	SUPPORT	1	1	1					
18	1	121575-61710	BEARING, FNTA-2542	1	1	1					
19	1	121575-61720	COLLAR	1	1	1					
20	1	121575-66310	SPRING, STARTING	1	1	1					
21	1	22242-000100	RING, 10	1	1	1					
22	1	22312-040080	PIN, PARALLEL M4X 8	2	2	2					
23	1	22351-040008	PIN, SPRING 4.0X 8	2	2	2					
24	1	26106-060282	BOLT, M6X 28 PLATED	2	2	2					

Fig.52. CONTROL DEVICE

Fig. **52** ソウジュウソウチ
CONTROL DEVICE



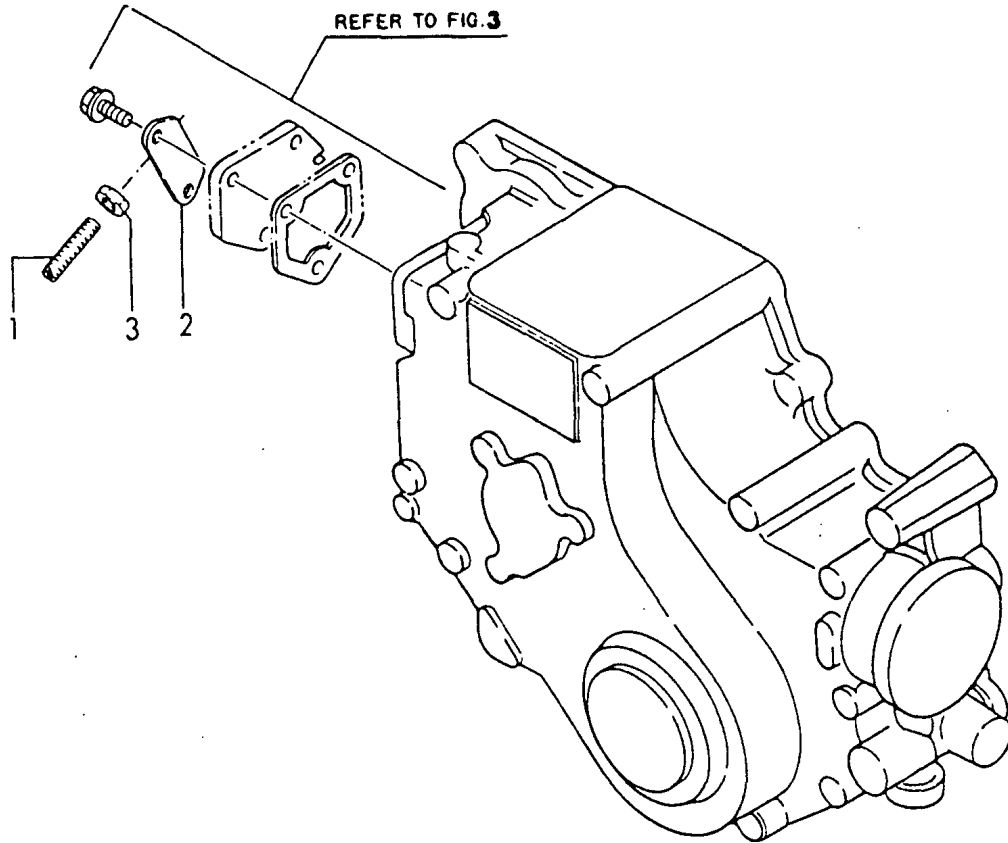
(A)=3HM35
(B)=3HM35C
(C)=3HM35F

(D)=
(E)=
(F)=

No.	Lev.	Parts No.	Description	Q'ty						I	R
				(A)	(B)	(C)	(D)	(E)	(F)		
1	1	128270-66010	SPRING, REGULATOR	1	1	1					
2	1	121575-66051	HANDLE, REGULATOR	1	1	1					
3	1	121000-66090	LEVER ASSY,REGULATOR	1	1	1					
6	1	22242-000120	RING, 12	1	1	1					
7	1	24311-000090	O-RING, 1AP9.0	1	1	1					
8	1	26399-080002	NUT M 8	1	1	1					
9	1	121575-66200	SPRING, REGULATOR	1	1	1					

Fig.53. IDLE ADJUSTER

Fig. 53 アイドルアジャスタ IDLE ADJUSTER



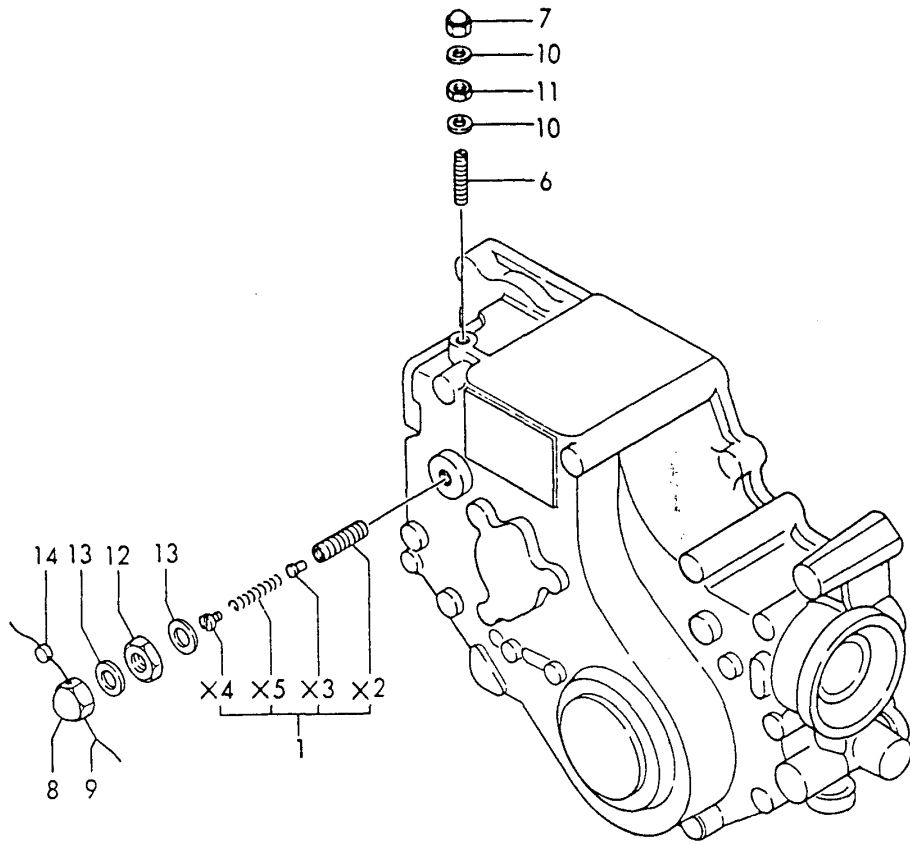
(A)=3HM35
 (B)=3HM35C
 (C)=3HM35F

(D)=
 (E)=
 (F)=

No.	Lev.	Parts No.	Description	Qty						I	R
				(A)	(B)	(C)	(D)	(E)	(F)		
1	1	121575-66800	SCREW	1	1	1					
2	1	121575-66850	RETAINER	1	1	1					
3	1	26756-060002	NUT, LOCK M6	1	1	1					

Fig.54. FUEL INJECTION CONTROLLER

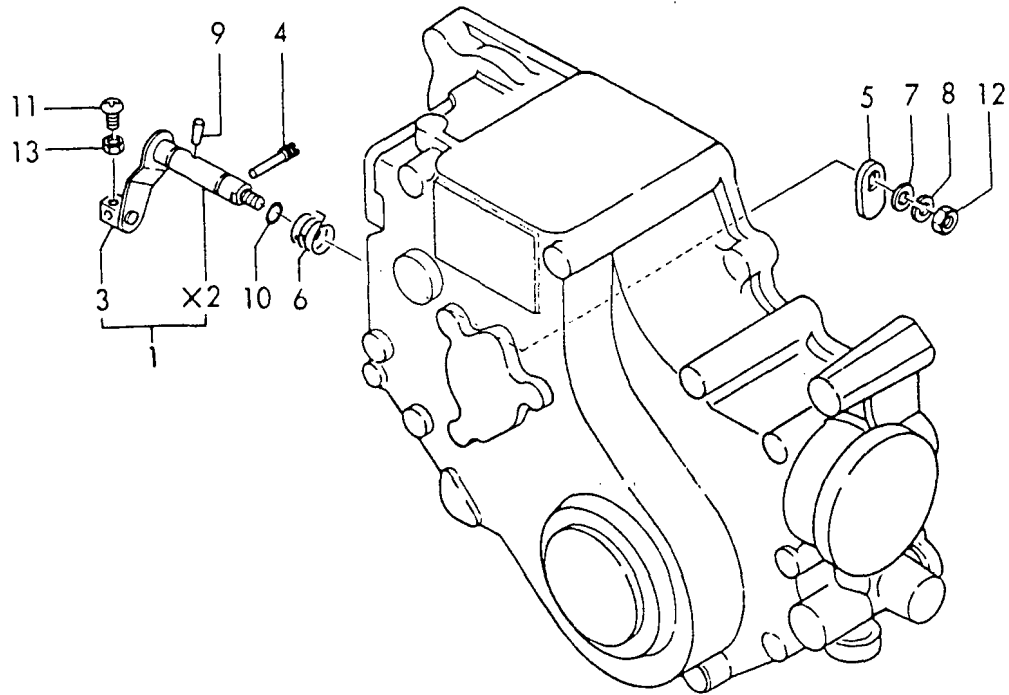
Fig. **54** セイゲンソウチ
FUEL INJECTION CONTROLLER



No.	Lev.	Parts No.	Description	Qty						I	R
				(A)	(B)	(C)	(D)	(E)	(F)		
1	1	128270-66550	LIMITER ASSY, FUEL	1	1	1					
6	1	121575-66830	SCREW	1	1	1					
7	1	128170-66870	NUT, CAP M6	1	1	1					
8	1	128170-66880	NUT, CAP M12	1	1	1					
9	1	22451-100000	WIRE, 1.0	1	1	1					
10	1	23414-060000	GASKET, 6X1.0	2	2	2					
11	1	26756-060002	NUT, LOCK M6	1	1	1					
12	1	128170-66890	NUT, M12	1	1	1					
13	1	43400-500450	SEAL WASHER 12S	2	2	2					
14	1	135210-61090	LEAD	1	1	1					

Fig.55. ENGINE STOP DEVICE

Fig.55 エンジンストップソウチ
ENGINE STOP DEVICE



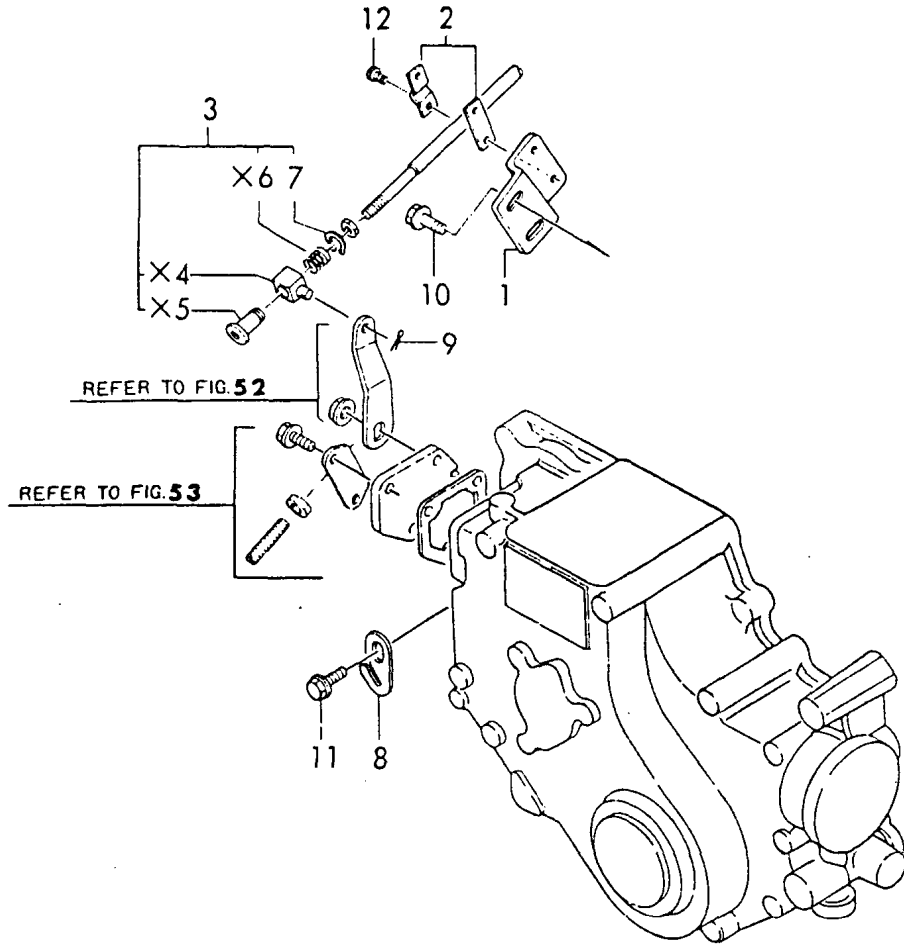
(A)=3HM35
(B)=3HM35C
(C)=3HM35F

(D)=
(E)=
(F)=

No.	Lev.	Parts No.	Description	Q'ty						I	R
				(A)	(B)	(C)	(D)	(E)	(F)		
1	1	121575-66510	LEVER ASSY, STOP	1	1	1					
3	2	104211-03770	RETAINER	1	1	1					
4	1	124250-03640	SCREW	1	1	1					
5	1	121575-66550	CAM	1	1	1					
6	1	121575-66580	SPRING, RETURN	1	1	1					
7	1	22117-060000	WASHER, 6	1	1	1					
8	1	22217-060000	WASHER, SPRING 6	1	1	1					
9	1	22322-030150	PIN, TAPER 3X15	1	1	1					
10	1	24311-000070	O-RING, 1AP7.0	1	1	1					
11	1	26557-050122	SCREW, M5X12	1	1	1					
12	1	26716-060002	NUT, M6	1	1	1					
13	1	26756-050002	NUT, LOCK M5	1	1	1					

Fig.56. SPEED REMOTE CONTROL

Fig. **56** スピードリモコン
SPEED REMOTE CONTROL



(A)=3HM35
(B)=3HM35C
(C)=3HM35F

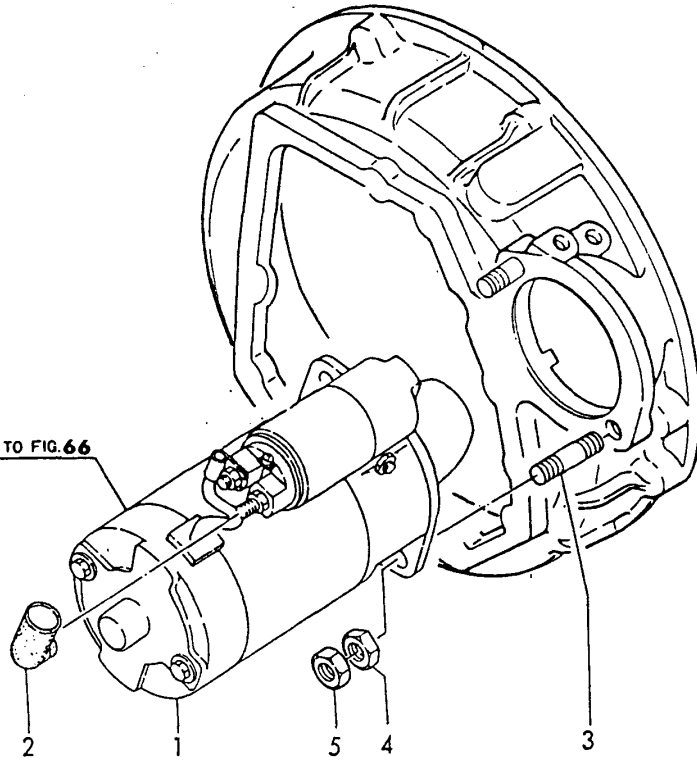
(D)=
(E)=
(F)=

No.	Lev.	Parts No.	Description	Q'ty						I	R
				(A)	(B)	(C)	(D)	(E)	(F)		
1	1	105311-67100	BRACKET, CABLE	1	1	1					
2	1	41710-000410	CLAMP	1	1	1					
3	1	105311-67200	RETAINER ASSY	1	1	1					
7	2	22242-000100	RING, 10	1	1	1					
8	1	121575-67580	BRACKET, CABLE	1	1	1					
9	1	22414-250150	PIN, COTTER 2.5X15	1	1	1					
10	1	26106-060102	BOLT, M6X 10 PLATED	2	2	2					
11	1	26106-060122	BOLT, M6X 12 PLATED	1	1	1					
12	1	26557-050122	SCREW, M5X12	2	2	2					

Fig.57. STARTING MOTOR

Fig. **57** スターティングモータ
STARTING MOTOR

インナーパーツFIG.66参照
COMPONENT PARTS REFER TO FIG.66



(A)=3HM35
(B)=3HM35C
(C)=3HM35F

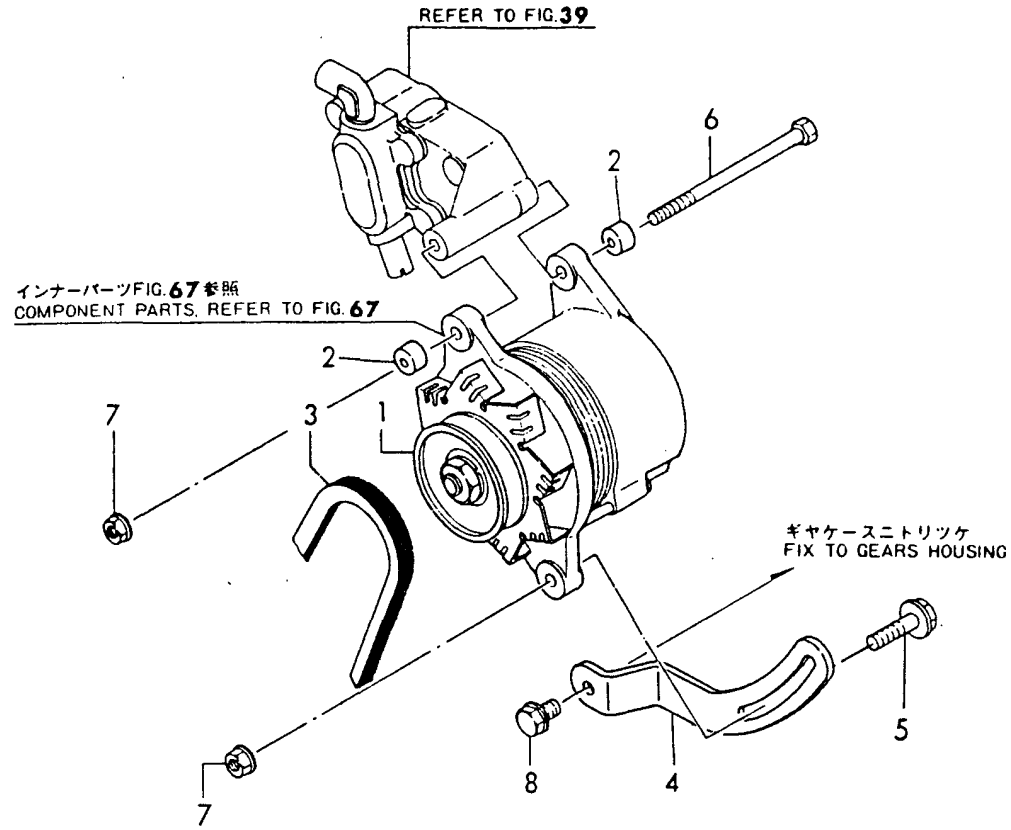
(D)=
(E)=
(F)=

No.	Lev.	Parts No.	Description	Q'ty						I	R
				(A)	(B)	(C)	(D)	(E)	(F)		
1	1	124250-77012	STARTER, S12-77A	1	1	1					A
2	1	124550-77030	COVER, TERMINAL	1	1	1					
3	1	26226-120252	STUD, M12X 25	2	2	2					
4	1	26716-120002	NUT, M12	2	2	2					
5	1	26756-080002	NUT, LOCK M8	1	1	1					

Remarks
A) MAKER'S CODE : S12-77A

Fig.58. GENERATOR

Fig. **58** ゼネレータ
GENERATOR



(A)=3HM35
(B)=3HM35C
(C)=3HM35F

(D)=
(E)=
(F)=

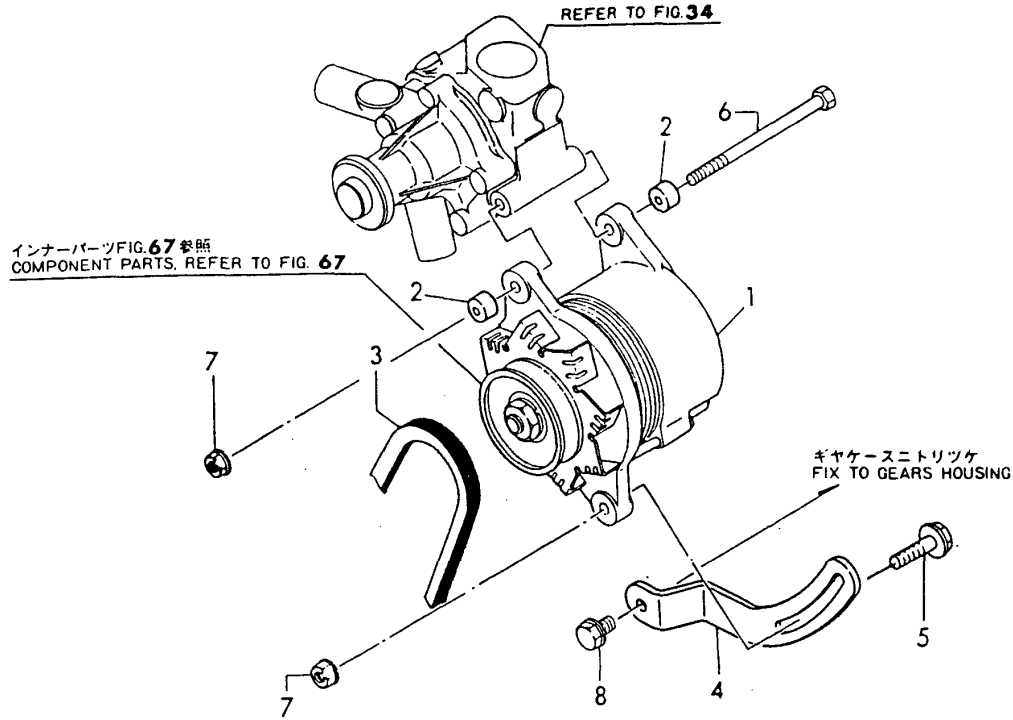
No.	Lev.	Parts No.	Description	Qty						I	R
				(A)	(B)	(C)	(D)	(E)	(F)		
1	1	129772-77200	GENERATOR(12V-55A)	1	1						
2	1	124085-01900	GUIDE	2	2						
3	1	123672-77370	V-BELT, A32	1	1						
4	1	128671-77330	ADJUSTER, BELT	1	1						
5	1	26106-080302	BOLT, M8X 30 PLATED	1	1						
6	1	128270-77340	BOLT, M8X120	1	1						
7	1	26366-080002	NUT, M8	2	2						
8	1	26106-100162	BOLT, M10X 16 PLATED	1	1						

Fig.59. GENERATOR

(A)=3HM35
(B)=3HM35C
(C)=3HM35F

(D)=
(E)=
(F)=

Fig. **59** ゼネレータ
GENERATOR



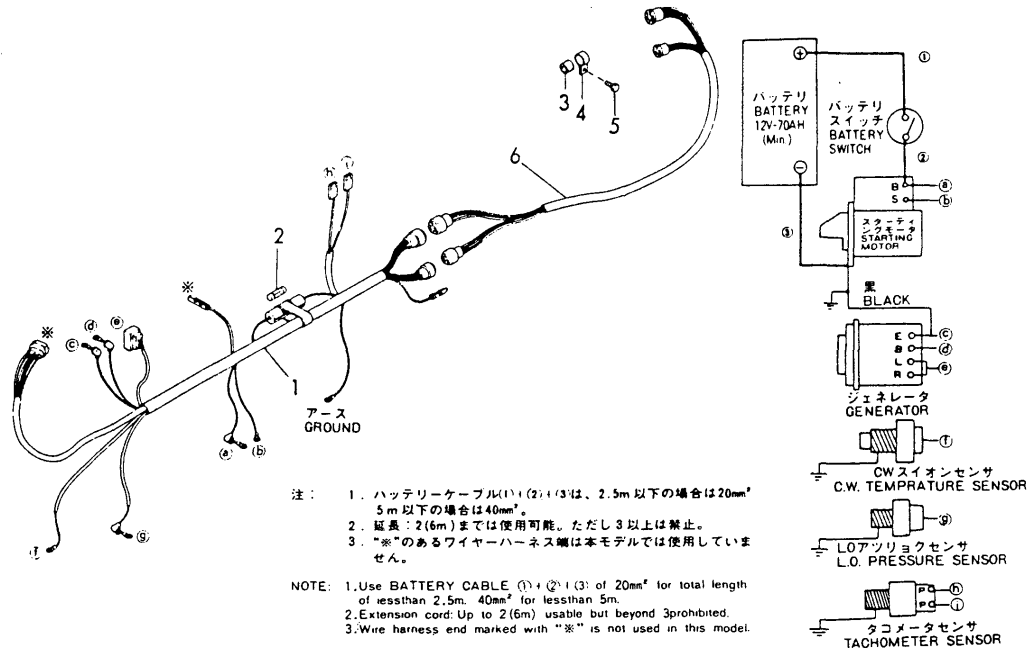
No.	Lev.	Parts No.	Description	Q'ty						I	R
				(A)	(B)	(C)	(D)	(E)	(F)		
1	1	129772-77200	GENERATOR(12V-55A)			1					
2	1	124085-01900	GUIDE			2					
3	1	121252-42290	V-BELT, A40			1					
4	1	128671-77330	ADJUSTER, BELT			1					
5	1	26106-080302	BOLT, M8X 30 PLATED			1					
6	1	128270-77340	BOLT, M8X120			1					
7	1	26366-080002	NUT, M8			2					
8	1	26106-100162	BOLT, M10X 16 PLATED			1					

Fig.60. WIRE HARNESS

(A)=3HM35
(B)=3HM35C
(C)=3HM35F

(D)=
(E)=
(F)=

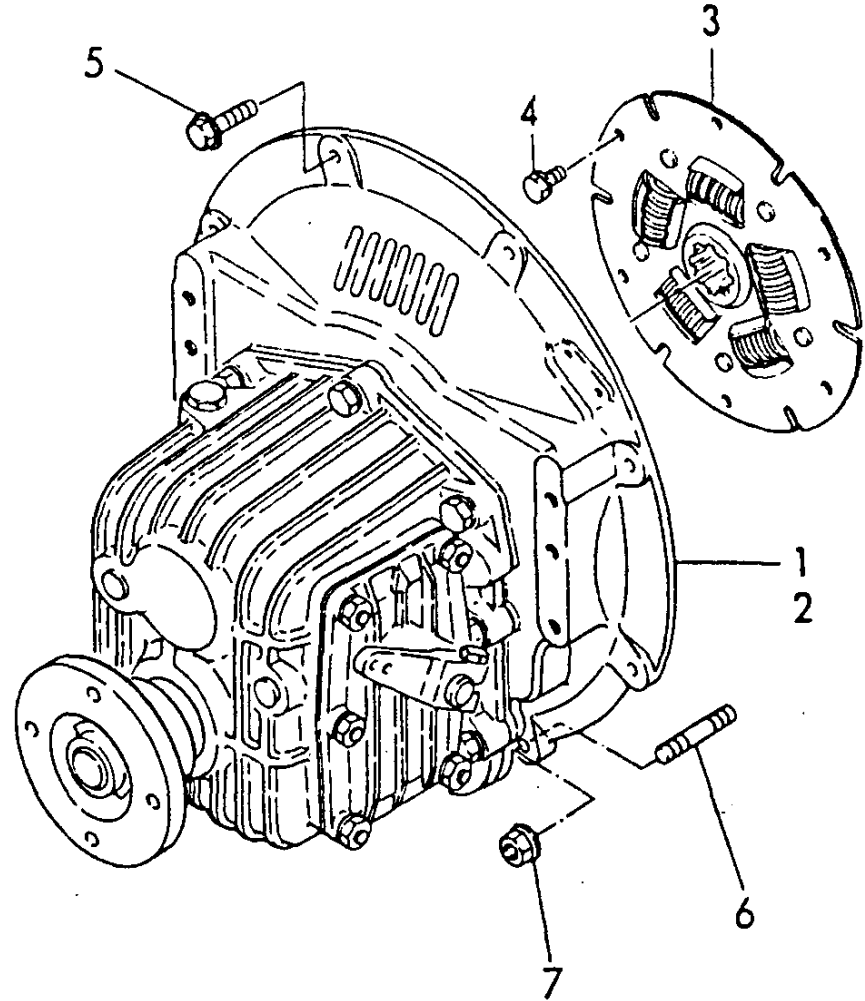
Fig. **60** ワイヤハーネス
WIRE HARNESS



No.	Lev.	Parts No.	Description	Q'ty						I	R
				(A)	(B)	(C)	(D)	(E)	(F)		
1	1	128270-77921	HARNES, WIRE	1	1	1					
2	2	29411-300000	FUSE, CARTRIDGE 30A	1	1	1					
3	1	124770-77940	PROTECTOR	1	1	1					
4	1	124070-77950	CLAMP	1	1	1					
5	1	26106-080142	BOLT, M8X 14 PLATED	1	1	1					
6	1	128170-77500	CORD, EXTENSION 3000	1	1	1					

Fig.61. CLUTCH

Fig. 61 クラッチ(KBW10-E) CLUTCH (KBW10-E)



(A)=3HM35
(B)=3HM35C
(C)=3HM35F

(D)=
(E)=
(F)=

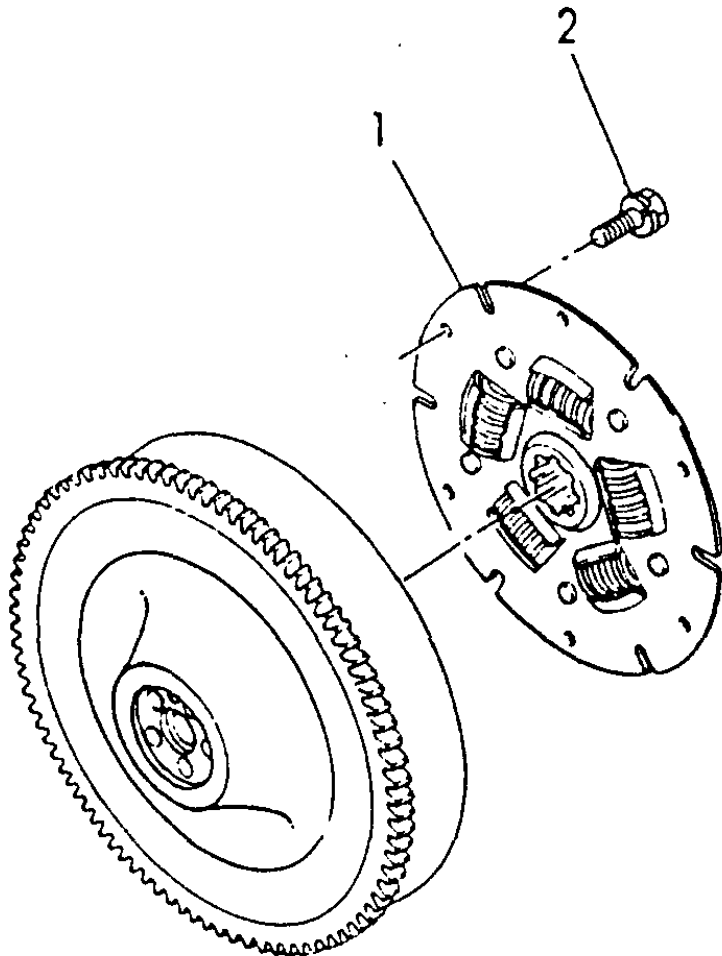
No.	Lev.	Parts No.	Description	Qty						I	R	
				(A)	(B)	(C)	(D)	(E)	(F)			
1	1	128670-81010	CLUTCH ASSY, 2.14	1		1						
2	1	128670-81020	CLUTCH ASSY, I=2.83	1		1						
3	1	177099-03500	DISK, DAMPER	1		1						
4	1	26013-080142	BOLT, M8X 14	6		6						
5	1	26106-080252	BOLT, M8X 25 PLATED	6		6						
6	1	26226-080222	STUD, M8X 22	2		2						
7	1	26366-080002	NUT, M8	2		2						

Fig.62. DAMPER DISK

(A)=3HM35
(B)=3HM35C
(C)=3HM35F

(D)=
(E)=
(F)=

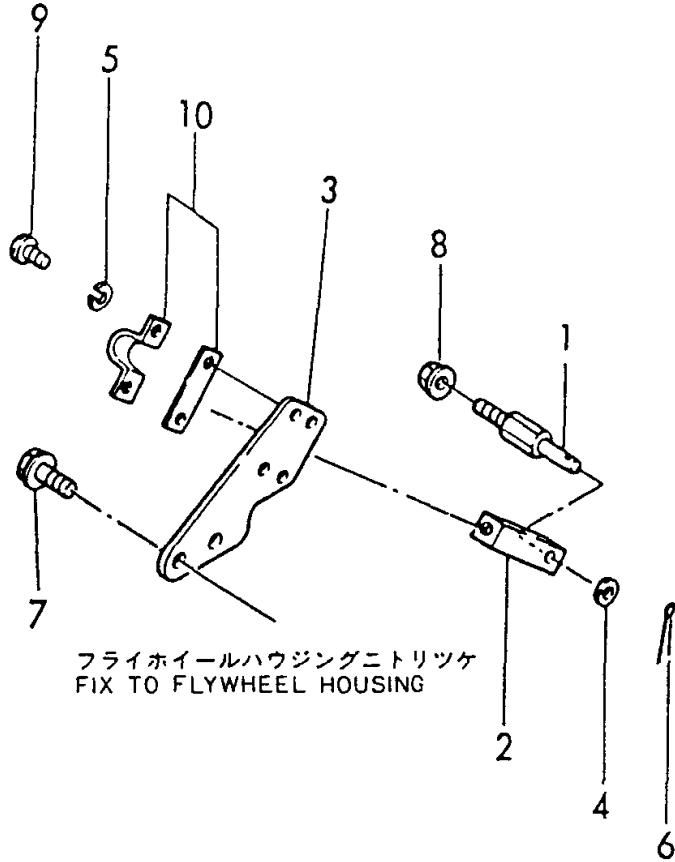
Fig. 62 ダンパディスク DUMPER DISK



No.	Lev.	Parts No.	Description	Q'ty						I	R	
				(A)	(B)	(C)	(D)	(E)	(F)			
1	1	177099-03500	DISK, DAMPER		1							
2	1	26013-080142	BOLT, M8X 14		6							

Fig.63. CLUTCH REMOTE CONTROL

Fig. 63 クラッチリモコン CLUTCH REMOTE CONTROL



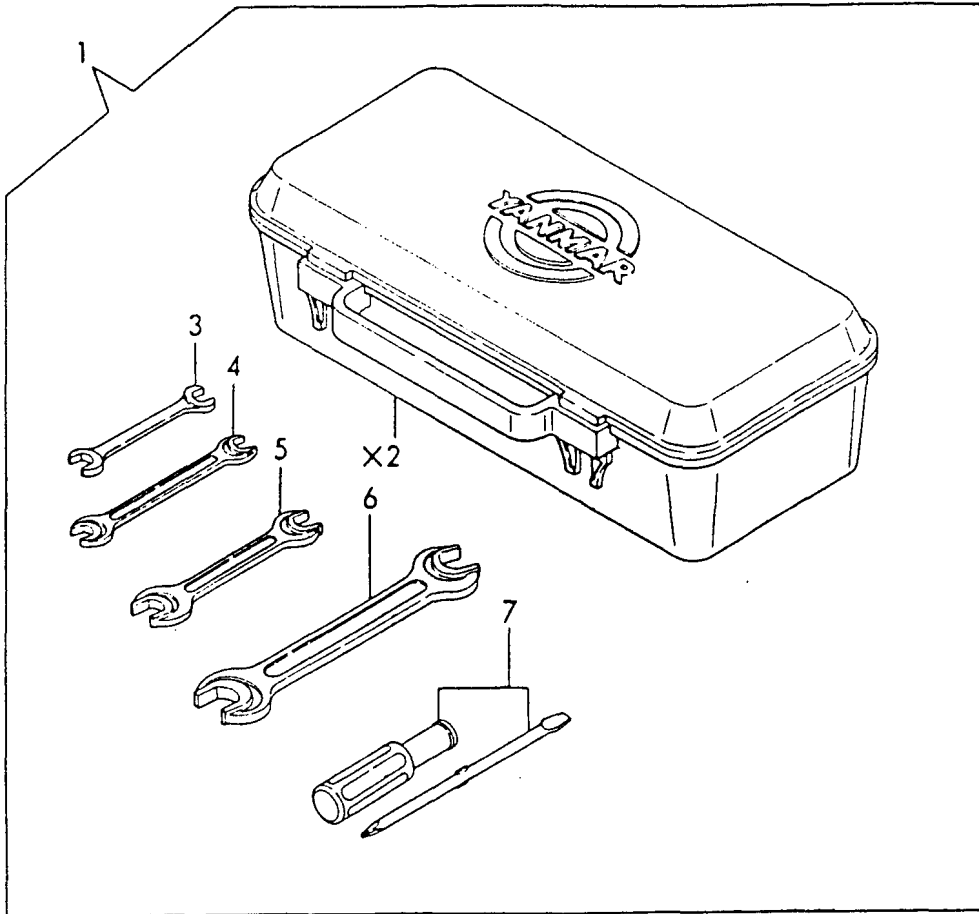
(A)=3HM35
(B)=3HM35C
(C)=3HM35F

(D)=
(E)=
(F)=

No.	Lev.	Parts No.	Description	Qty						I	R
				(A)	(B)	(C)	(D)	(E)	(F)		
1	1	128670-86250	JOINT	1		1					
2	1	128370-86280	CLEVIS, 12SQ-48L	1		1					
3	1	128670-86300	BRACKET, CABLE	1		1					
4	1	22113-060000	WASHER, 6	1		1					
5	1	22217-050000	WASHER, SPRING 5	2		2					
6	1	22414-160100	PIN, COTTER 1.6X10	1		1					
7	1	26106-060142	BOLT, M6X 14 PLATED	2		2					
8	1	26366-060002	NUT, M6	1		1					
9	1	26557-050122	SCREW, M5X12	2		2					
10	1	41710-000410	CLAMP	1		1					

Fig.64. TOOLS

Fig. **64** コウグ
TOOLS



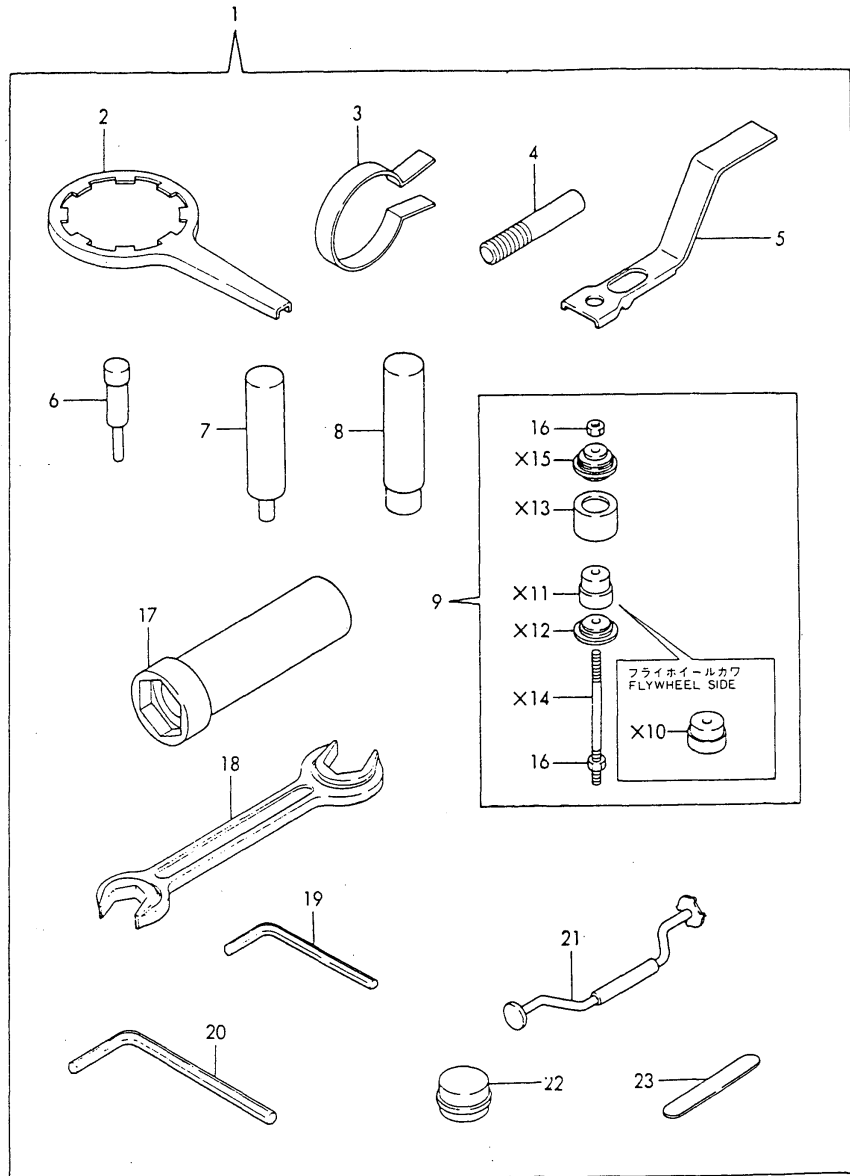
(A)=3HM35
(B)=3HM35C
(C)=3HM35F

(D)=
(E)=
(F)=

No.	Lev.	Parts No.	Description	Qty						I	R
				(A)	(B)	(C)	(D)	(E)	(F)		
1	1	704507-92100	BOX ASSY, TOOL	1	1	1					
3	2	28110-100130	SPANNER, 10X13	1	1	1					
4	2	28110-120140	SPANNER, 12X14	1	1	1					
5	2	28110-170190	SPANNER, 17X19	1	1	1					
6	2	28110-220240	SPANNER, 22X24	1	1	1					
7	2	104200-92350	DRIVER, SCREW	1	1	1					

Fig.65. SPECIAL TOOLS

Fig. **65** トクシュコウグ
SPECIAL TOOLS



(A)=3HM35
(B)=3HM35C
(C)=3HM35F

(D)=
(E)=
(F)=

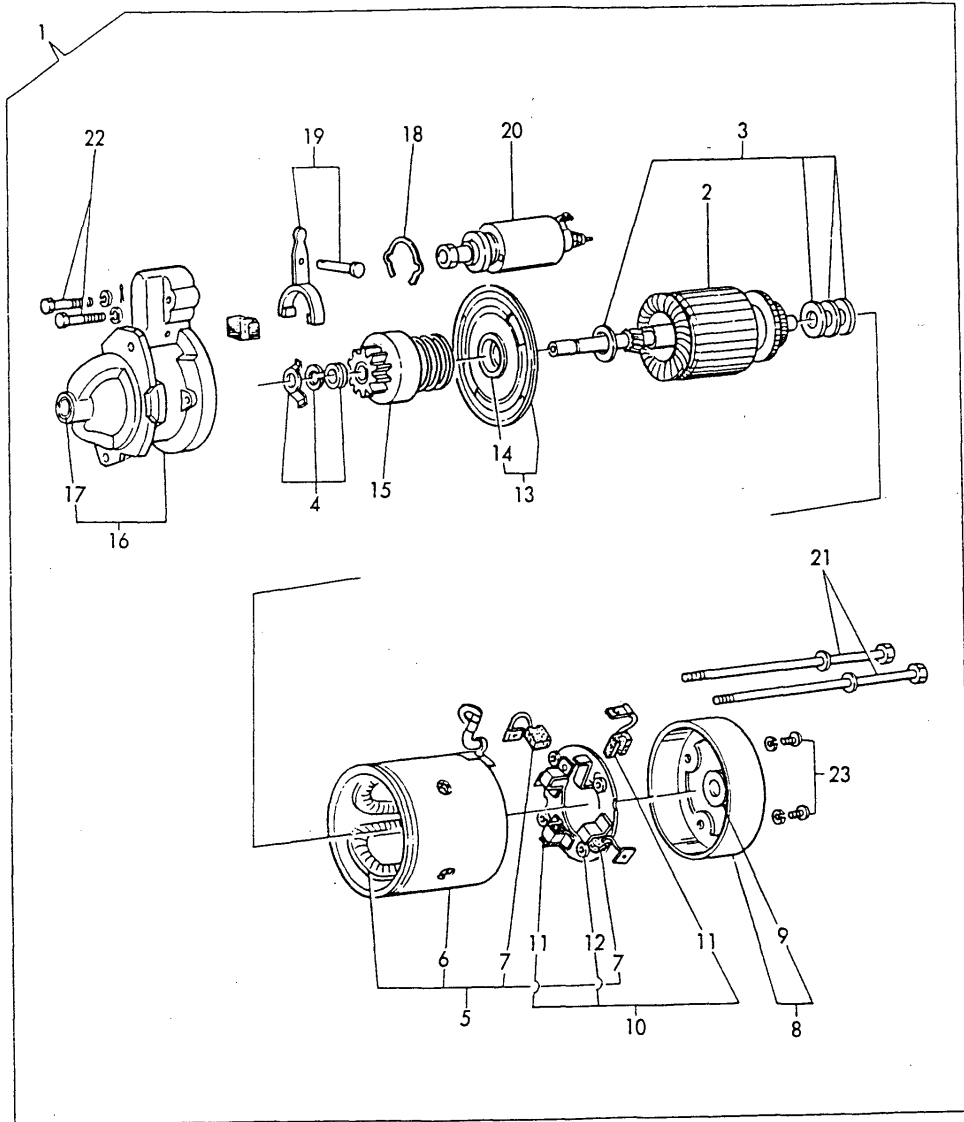
No.	Lev.	Parts No.	Description	Q'ty						I	R
				(A)	(B)	(C)	(D)	(E)	(F)		
1	1	728671-92400	TOOL ASSY, SPECIAL	1	1	1					A
2	2	124550-35350	WRENCH, FILTER	1	1	1					
3	2	102700-92140	TOOL, PISTON&RING	1	1	1					
4	2	101104-92180	TOOL, NOZZLE REMOVER	1	1	1					
5	2	124085-92210	TOOL, VALVE REMOVER	1	1	1					
6	2	124085-92250	TOOL, VALVE GUIDE	1	1	1					
7	2	128670-92260	TOOL, PISTON PIN	1	1	1					
8	2	128670-92270	TOOL, PIN BUSH	1	1	1					
9	2	128670-92400	TOOL, METAL REMOVER	1	1	1					
16	3	26716-160002	NUT, M16	2	2	2					
17	2	124085-92700	WRENCH	1	1	1					
18	2	28110-270300	SPANNER, 27X30	1	1	1					
19	2	28150-040000	WRENCH, BAR 4	1	1	1					
20	2	28150-050000	WRENCH, BAR 5	1	1	1					
21	2	28210-000031	TOOL, VALVE RAPPING	1	1	1					
22	2	28210-000070	COMPOUND	1	1	1					
23	2	28312-150750	GAUGE, 0.15X75	1	1	1					

Remarks

A)3HM35, 3HM35F : OPTIONAL PARTS

Fig.66. STARTING MOTOR INNER PARTS

Fig. 66 スターティングモータ インナーパーツ
STARTING MOTOR COMPONENT PARTS



(A)=3HM35
(B)=3HM35C
(C)=3HM35F

(D)=
(E)=
(F)=

No.	Lev.	Parts No.	Description	Qty						I	R
				(A)	(B)	(C)	(D)	(E)	(F)		
1	1	124250-77012	STARTER, S12-77A	1	1	1					A
2	2	X21207100	ARMATURE ASSY	1	1	1					
3	2	X21201115	WASHER SET, THRUST	1	1	1					
4	2	X21201110	STOPPER SET	1	1	1					
5	2	X21204259	COIL ASSY	1	1	1					
6	3	X21142215	SCREW	4	4	4					
7	3	X21209311	BRUSH (+)	2	2	2					
8	2	X212063001	REAR COVER ASSY	1	1	1					
9	3	X21204302	METAL, COVER BEARING	1	1	1					
10	2	X21205310	HOLDER ASSY, BRUSH	1	1	1					
11	3	X21207312	BRUSH (-)	2	2	2					
12	3	X21201313	SPRING, BRUSH	4	4	4					
13	2	X21205400	BEARING ASSY	1	1	1					
14	3	X21204401	METAL, CENTER BERG.	1	1	1					
15	2	X213065002	PINION ASSY	1	1	1					
16	2	X212026004	CASE ASSY, GEAR	1	1	1					
17	3	X21202601	METAL, GEAR CASE	1	1	1					
18	2	X21202602	COVER SET	1	1	1					
19	2	X21201605	LEVER SET	1	1	1					
20	2	X212037002	SWITCH, MAGNETIC	1	1	1					
21	2	X21204810	BOLT, THROUGH	2	2	2					
22	2	X21145866	BOLT	2	2	2					
23	2	X0630412	BOLT M 4X 12	2	2	2					

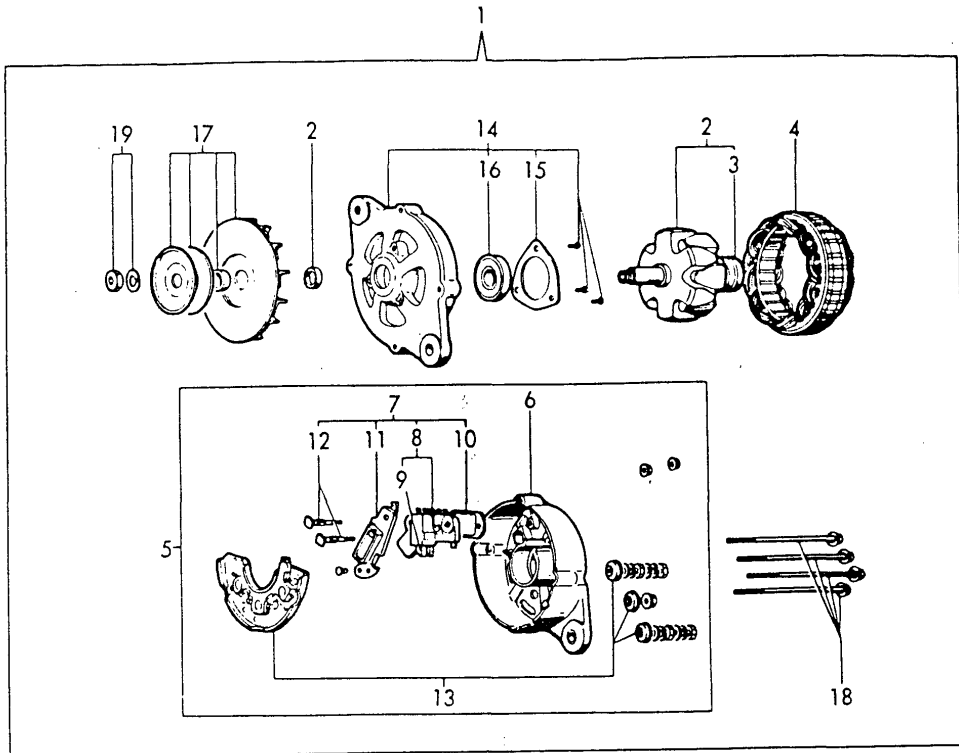
Remarks

A) MAKER'S CODE : S12-77A

N:Old $\xrightarrow{\text{Yes}}$ New, Q:Old $\xrightarrow{\text{No}}$ New, R:Old $\xrightarrow{\text{Yes}}$ New, S:Old $\xrightarrow{\text{No}}$ New, W:Add, Z:Discontinued, F:Interchangeable by set, K:Qty Change

Fig.67. GENERATOR INNER PARTS

Fig.67 ゼネレータ インナーパーツ
GENERATOR COMPONENT PARTS



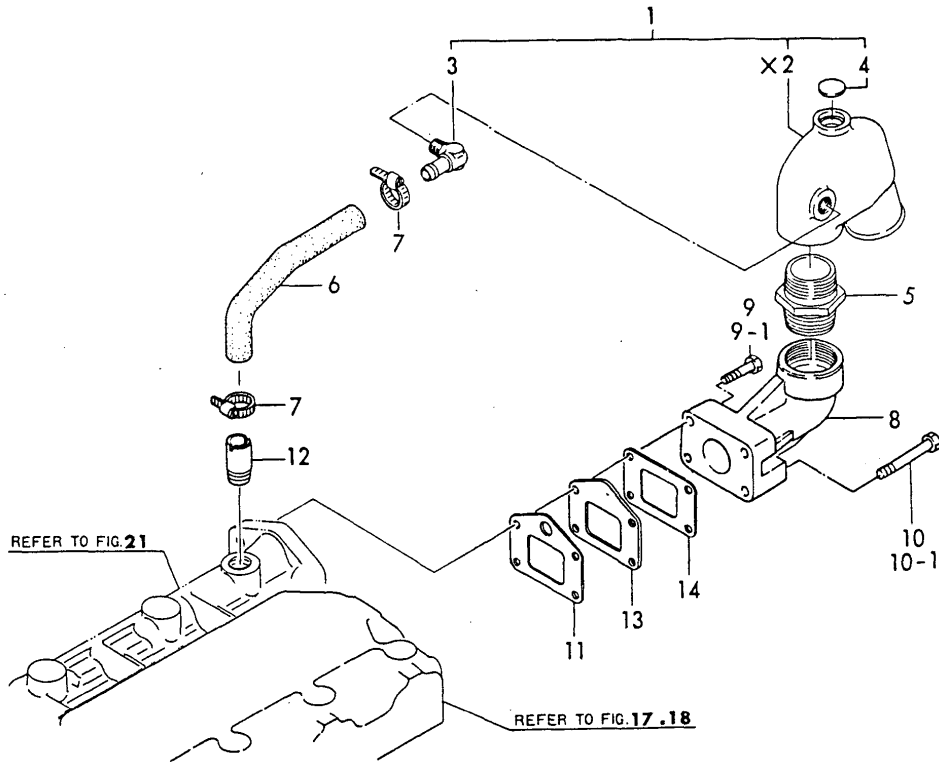
(A)=3HM35
(B)=3HM35C
(C)=3HM35F

(D)=
(E)=
(F)=

No.	Lev.	Parts No.	Description	Qty						I	R
				(A)	(B)	(C)	(D)	(E)	(F)		
1	1	129772-77200	GENERATOR(12V-55A)	1	1	1					
2	2	XL15571001	ROTOR ASSY	1	1	1					
3	3	X6201SD	BALL BEARING	1	1	1					
4	2	XL15542001	STATOR ASSY	1	1	1					
5	2	XL15553002	COVER ASSY, REAR	1	1	1					
6	3	XL22553012	COVER, REAR	1	1	1					
7	3	XL1556315	REGULATOR ASSY,BRUSH	1	1	1					
8	4	XL2255330	BRUSH ASSY	1	1	1					A
9	4	XL12013262	BRUSH	2	2	2					
10	4	XTR1Z63	REGULATOR	1	1	1					
11	4	XL2251318	CONDENSER ASSY	1	1	1					
12	4	XL13513134	BOLT M5	2	2	2					
13	3	XL2253320	DIODE ASSY	1	1	1					
14	2	XL2253400	FRONT COVER ASSY	1	1	1					
15	3	XL15014042	BEARING RETAINER	1	1	1					
16	3	X6203BM	BALL BEARING	1	1	1					
17	2	XL22555001	PULLEY ASSY	1	1	1					
18	2	XL15018015	BOLT, THROUGH	4	4	4					
19	2	XL1501810	NUT ASSY, PULLEY	1	1	1					
20	2	XL15028001	SCREW ASSY	1	1	1					

Fig.68. MIXING ELBOW

Fig.68 ミキシングエルボ
MIXING ELBOW



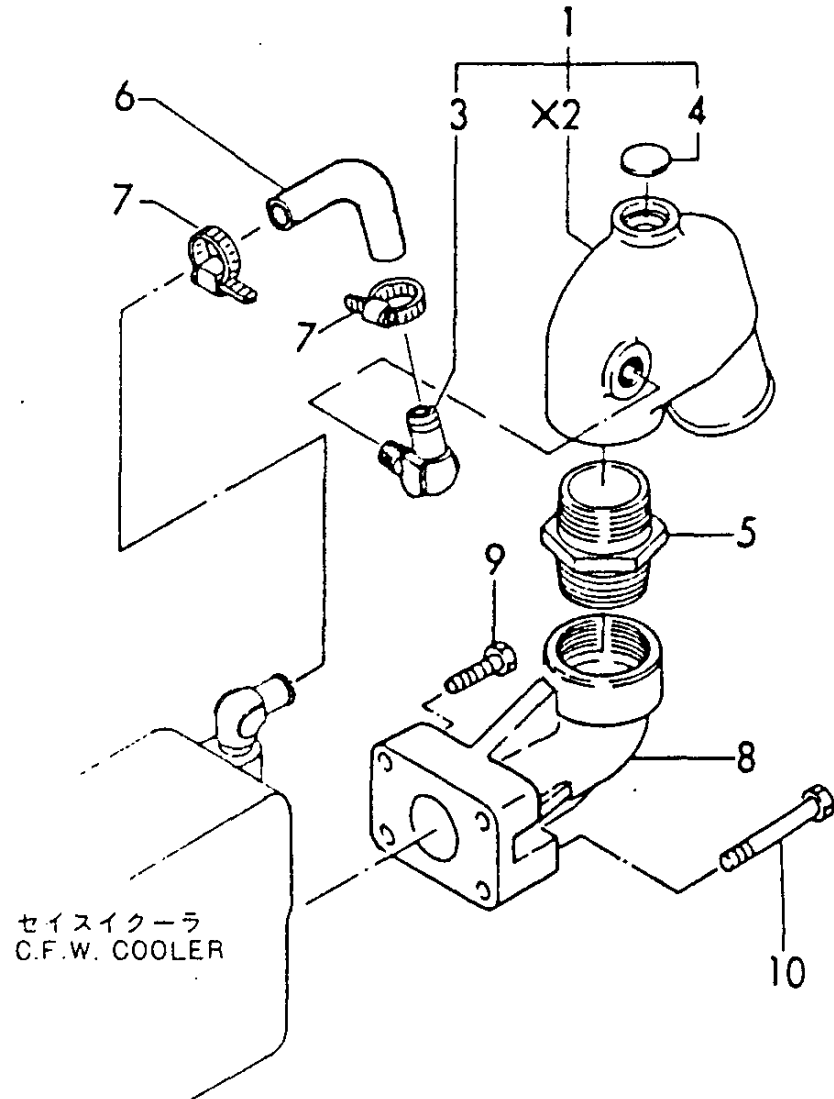
(A)=3HM35
(B)=3HM35C
(C)=3HM35F

(D)=
(E)=
(F)=

No.	Lev.	Parts No.	Description	Q'ty						I	R
				(A)	(B)	(C)	(D)	(E)	(F)		
1	1	124070-13520	ELBOW	1	1						
3	2	124070-13300	ELBOW, PT3/8	1	1						
4	2	27233-250000	PLUG, 25	1	1						
5	1	104214-13580	JOINT	1	1						
6	1	128370-49250	PIPE, WATER	1	1						
7	1	23000-025000	CLAMP, 25	2	2						
8	1	128370-13610	ELBOW	1	1						
9	1	26116-080402	BOLT, M8X 40 PLATED	2	2						
9-1	1	26203-080452	BOLT, M8X 45 PLATED	2	2						S
		(A=E00726)									
10	1	26116-080602	BOLT, M8X 60 PLATED	2	2						
10-1	1	26203-080652	BOLT, M8X 65 PLATED	2	2						S
		(A=E00726)									
11	1	128370-13230	GASKET	1	1						W
		(A=E00726)									
12	2	121575-49300	JOINT, PIPE	1	1						W
		(A=E00726)									
13	2	128370-13220	SPACER	1	1						W
		(A=E00726)									
14	1	128370-13200	GASKET	1	1						

Fig.69. MIXING ELBOW

Fig. **69** ミキシングエルボ
MIXING ELBOW



(A)=3HM35
(B)=3HM35C
(C)=3HM35F

(D)=
(E)=
(F)=

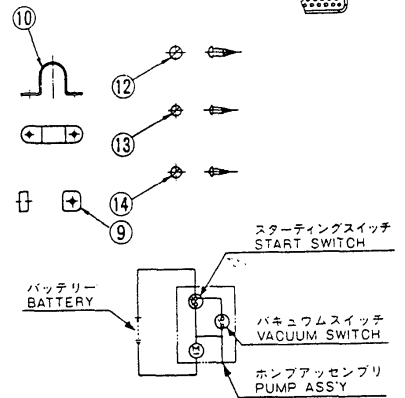
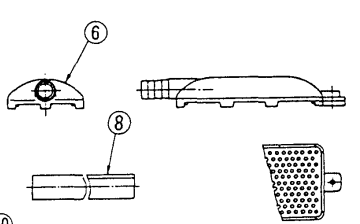
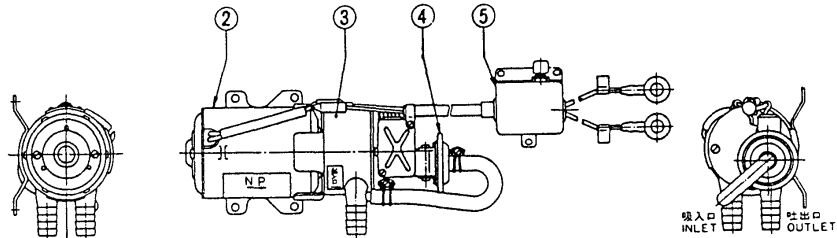
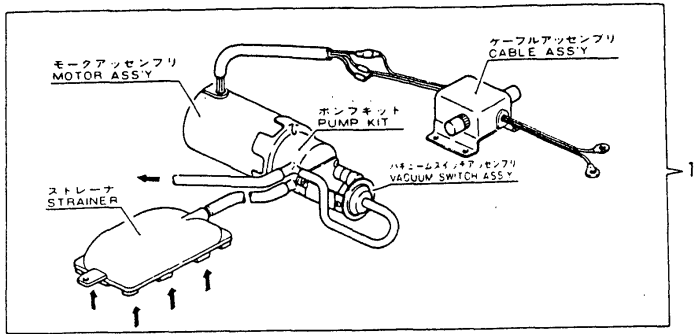
No.	Lev.	Parts No.	Description	Qty						I	R	
				(A)	(B)	(C)	(D)	(E)	(F)			
1	1	124070-13520	ELBOW			1						
3	2	124070-13300	ELBOW, PT3/8			1						
4	2	27233-250000	PLUG, 25			1						
5	1	104214-13580	JOINT			1						
6	1	128690-49250	PIPE, WATER			1						
7	1	23000-025000	CLAMP, 25			2						
8	1	128370-13610	ELBOW			1						
9	1	26116-080402	BOLT, M8X 40 PLATED			2						
10	1	26116-080602	BOLT, M8X 60 PLATED			2						

Fig.71. BILGE PUMP 12V

Fig.71 ビルジポンプ 12V
BILGE PUMP 12V

(A)=3HM35
(B)=3HM35C
(C)=3HM35F

(D)=
(E)=
(F)=



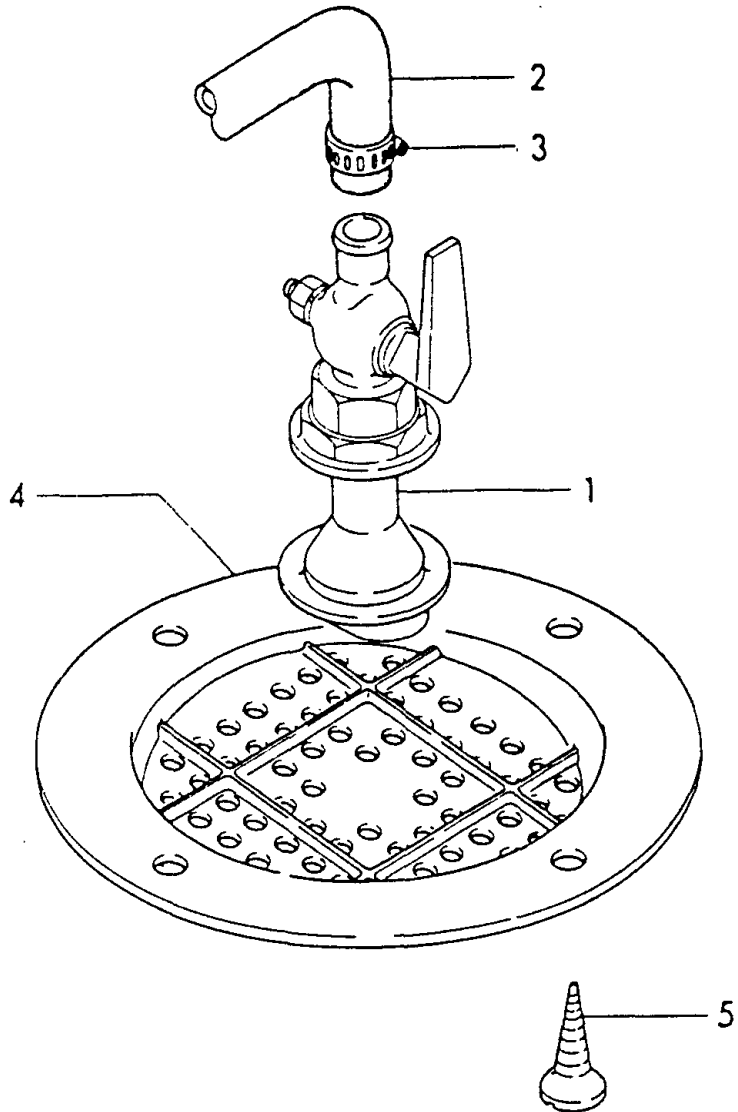
結線図
CONNECT. WIRE PLAN

部番 No	名 称 Part name	数量 Qty	メーカー部番 Maker No.
①	ポンプアッセンブリ PUMP ASSY	1	B P 190-1110
②	モータアッセンブリ MOTOR ASSY	1	B P 190-2200
③	ポンプキット PUMP KIT	1	B P 190-1300
④	バキュームスイッチアッセンブリ VACUUM SWITCH ASSY	1	B P 190-2400
⑤	ケーブルアッセンブリ CABLE ASSY	1	B P 190-5500
⑥	ストレーナ STRAINER	1	B P 190-2810
⑦	トシユツクテ OUTLET	1	B P 190-1820
⑧	ホース HOSE	1	B P 190-1830
⑨	スペーサ SPACER	1	B P 190-1910
⑩	クランプ CLAMP	1	B P 190-1920
⑪	スクリユースセット SCREW SET	1	B P 190-1950
⑫	φ5.1×16スクリユ- φ5.1×16SCREW	4	
⑬	φ4.1×20スクリユ- φ4.1×20SCREW	1	
⑭	φ4.0×10スクリユ- φ4.0×10SCREW	5	
⑮	インペラキット IMPELLER KIT	1	B P 190-1310

No.	Lev.	Parts No.	Description	Q'ty						I	R
				(A)	(B)	(C)	(D)	(E)	(F)		
1	1	977782-00121	PUMP ASSY, W/TIMMER	1	1	1					
2	2	977782-00300	IMPELLER	1	1	1					

Fig.72. KINGSTON COCK

Fig. **72** キングストンコック
KINGSTON COCK



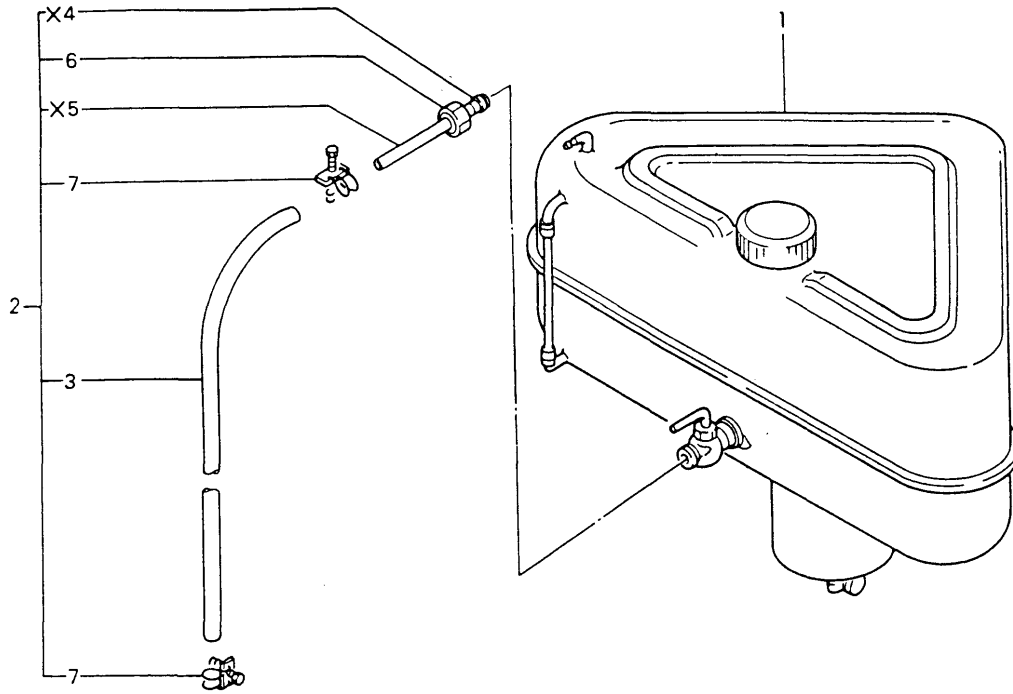
(A)=3HM35
(B)=3HM35C
(C)=3HM35F

(D)=
(E)=
(F)=

No.	Lev.	Parts No.	Description	Qty						I	R	
				(A)	(B)	(C)	(D)	(E)	(F)			
1	1	43662-015020	COCK	1		1						
2	1	124223-49050	PIPE, WATER	1		1						
3	1	23000-025000	CLAMP, 25			2						
4	1	43666-020951	COVER, STRAINER	1		1						
5	1	22724-800380	SCREW, 8.0X38			4						

Fig.73. FUEL TANK

Fig. **73** FOタンク
FUEL TANK



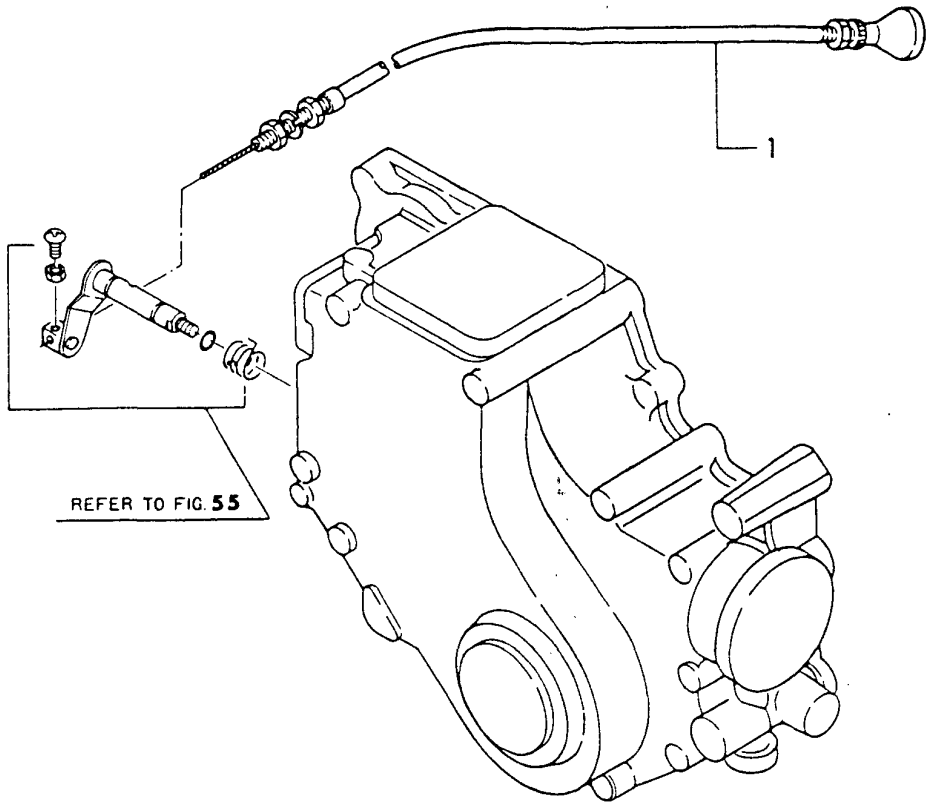
(A)=3HM35
(B)=3HM35C
(C)=3HM35F

(D)=
(E)=
(F)=

No.	Lev.	Parts No.	Description	Q'ty						I	R
				(A)	(B)	(C)	(D)	(E)	(F)		
1	1	83213-003012	TANK (30L), FUEL	1	1	1					
2	1	124070-59060	PIPE ASSY, FUEL	1	1	1					
3	2	124070-59130	PIPE, FUEL 2M	1	1	1					
6	2	138603-59380	CAP NUT	1	1	1					
7	2	23010-014000	CLAMP, 14	2	2	2					

Fig.74. ENGINE STOP CABLE

Fig. **74** ストップケーブル
ENGINE STOP CABLE



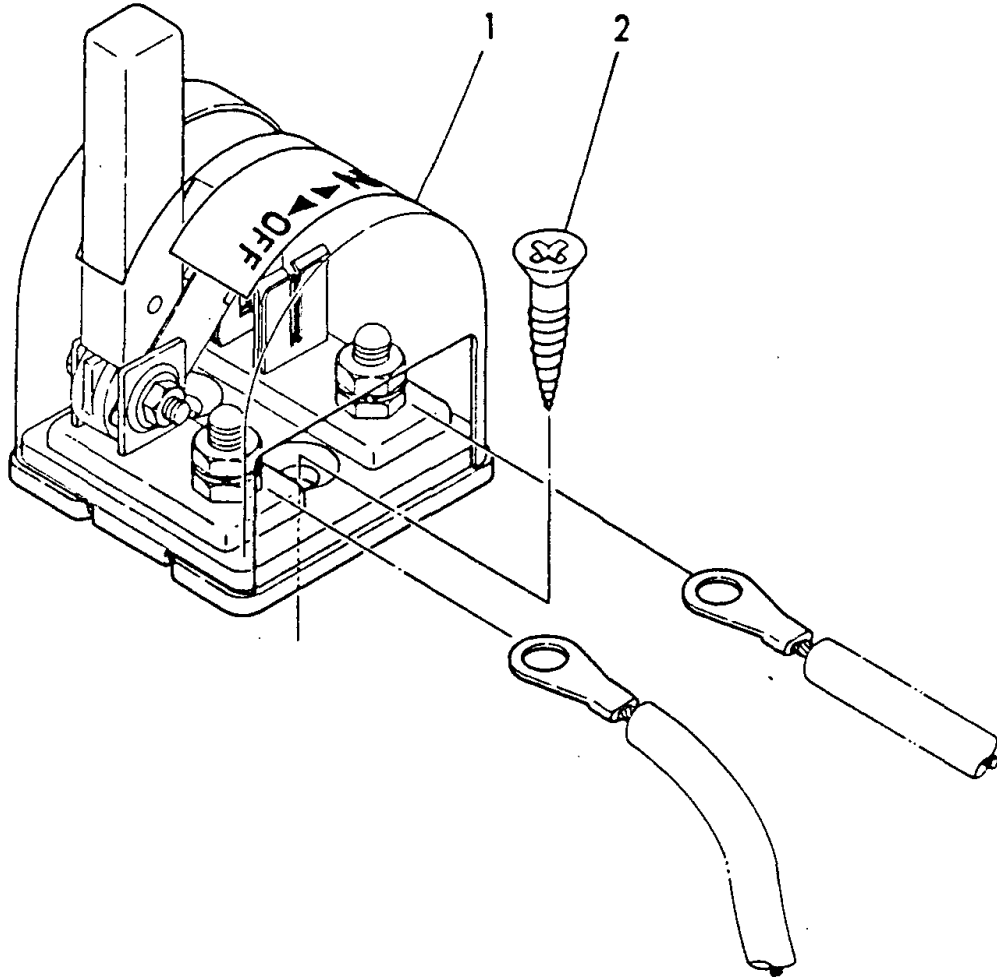
(A)=3HM35
(B)=3HM35C
(C)=3HM35F

(D)=
(E)=
(F)=

No.	Lev.	Parts No.	Description	Q'ty						I	R
				(A)	(B)	(C)	(D)	(E)	(F)		
1	1	104271-67550	CABLE, STOP L=3000	1	1	1					

Fig.75. BATTERY SWITCH

Fig.75 バッテリスイッチ
BATTERY SWITCH



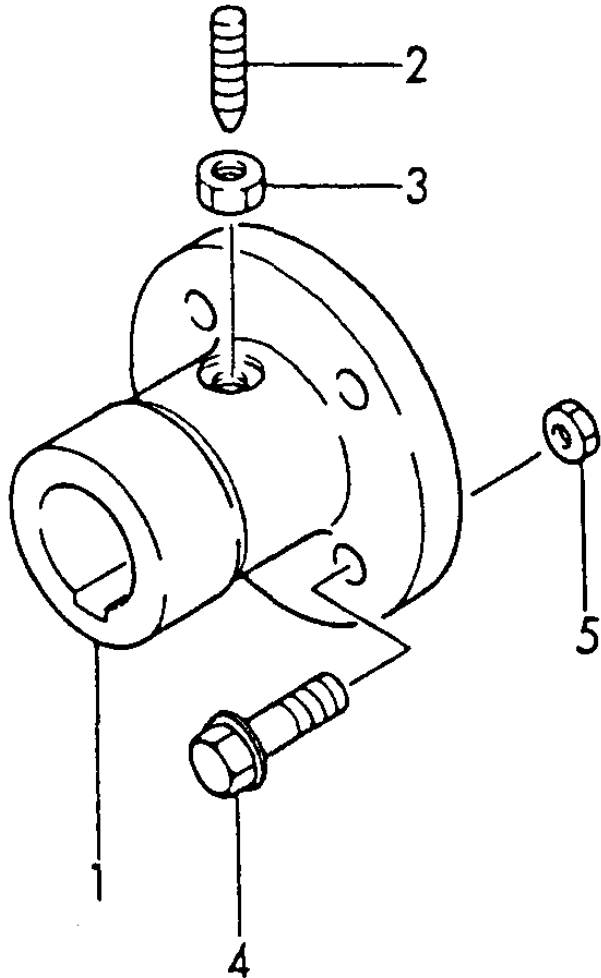
(A)=3HM35
(B)=3HM35C
(C)=3HM35F

(D)=
(E)=
(F)=

No.	Lev.	Parts No.	Description	Qty						I	R
				(A)	(B)	(C)	(D)	(E)	(F)		
1	1	123310-77640	SWITCH, BATTERY	1	1	1					
2	1	22724-800380	SCREW, 8.0X38	2	2	2					

Fig.76. TAPER COUPLING

Fig. 76 テーパーカップリング TAPER COUPLING



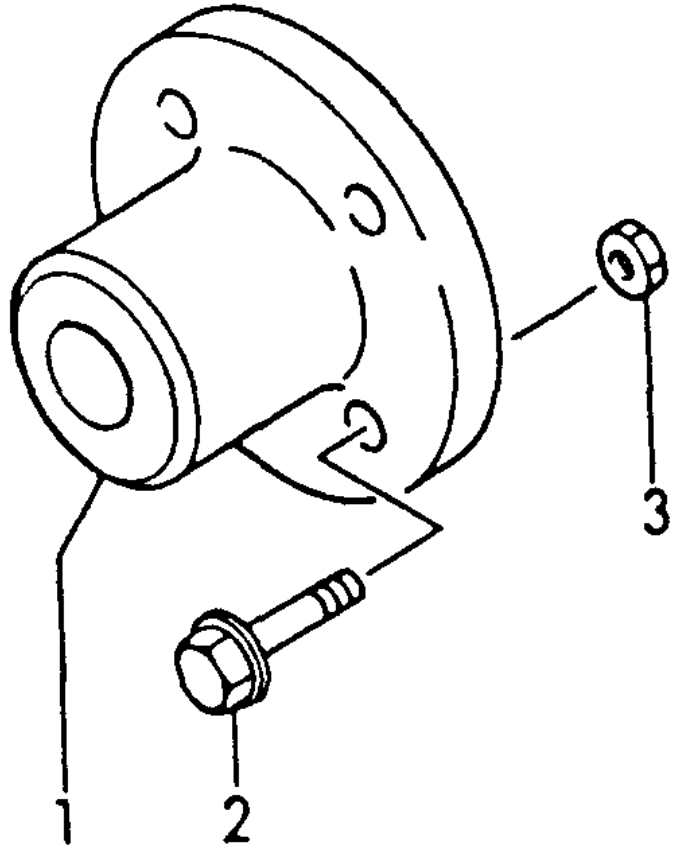
(A)=3HM35
(B)=3HM35C
(C)=3HM35F

(D)=
(E)=
(F)=

No.	Lev.	Parts No.	Description	Q'ty						I	R	
				(A)	(B)	(C)	(D)	(E)	(F)			
1	1	48110-032502	COUPLING, 30	1		1						
2	1	48110-032411	SCREW	1		1						
3	1	26756-080002	NUT, LOCK M8	1		1						
4	1	26106-100322	BOLT, M10X 32 PLATED	4		4						
5	1	26706-100002	NUT, M10	4		4						

Fig.77. COUPLING

Fig. 77 カップリング COUPLING



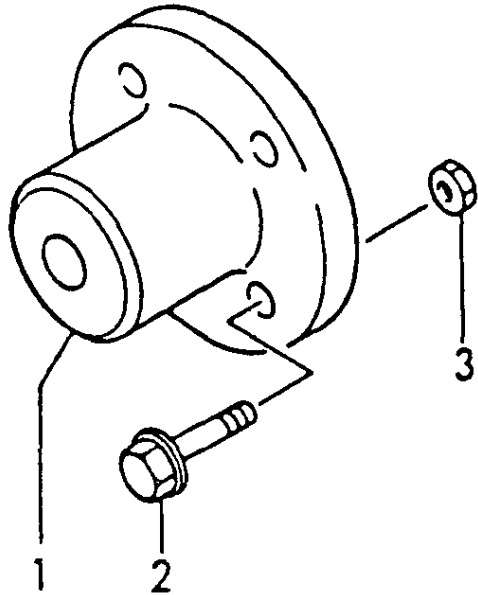
(A)=3HM35
(B)=3HM35C
(C)=3HM35F

(D)=
(E)=
(F)=

No.	Lev.	Parts No.	Description	Qty						I	R	
				(A)	(B)	(C)	(D)	(E)	(F)			
1	1	105583-85900	COUPLING, 22	1		1						
2	1	26106-100352	BOLT, M10X 35 PLATED	4		4						
3	1	26706-100002	NUT, M10	4		4						

Fig.78. STRAIGHT COUPLING

Fig. **78** ストレートカップリング
STRAIGHT COUPLING



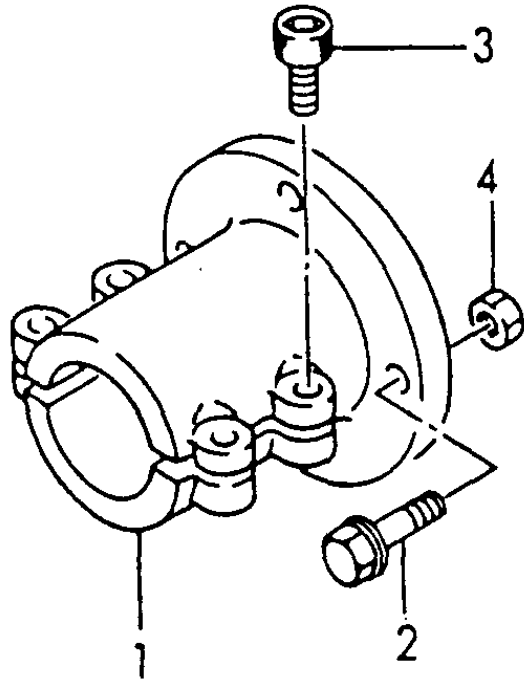
(A)=3HM35
(B)=3HM35C
(C)=3HM35F

(D)=
(E)=
(F)=

No.	Lev.	Parts No.	Description	Q'ty						I	R	
				(A)	(B)	(C)	(D)	(E)	(F)			
1	1	45414-500260	COUPLING, 16MM	1		1						
2	1	26106-100322	BOLT, M10X 32 PLATED	4		4						
3	1	26706-100002	NUT, M10	4		4						

Fig.79. SLIT COUPLING

Fig. 79 スリットカップリング SLIT COUPLING



(A)=3HM35
(B)=3HM35C
(C)=3HM35F

(D)=
(E)=
(F)=

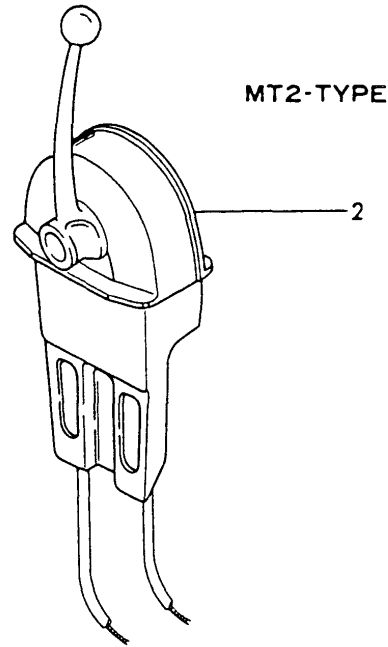
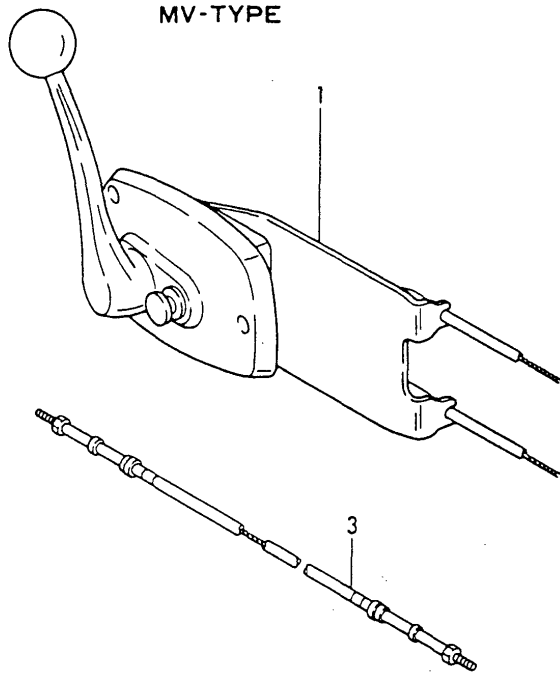
No.	Lev.	Parts No.	Description	Q'ty						I	R	
				(A)	(B)	(C)	(D)	(E)	(F)			
1	1	104214-83980	COUPLING	1		1						
2	1	26106-100322	BOLT, M10X 32 PLATED	4		4						
3	1	26450-080282	BOLT, M8X 28	4		4						
4	1	26706-100002	NUT, M10	4		4						

Fig.80. SINGLE LEVER CONTROL

(A)=3HM35
(B)=3HM35C
(C)=3HM35F

(D)=
(E)=
(F)=

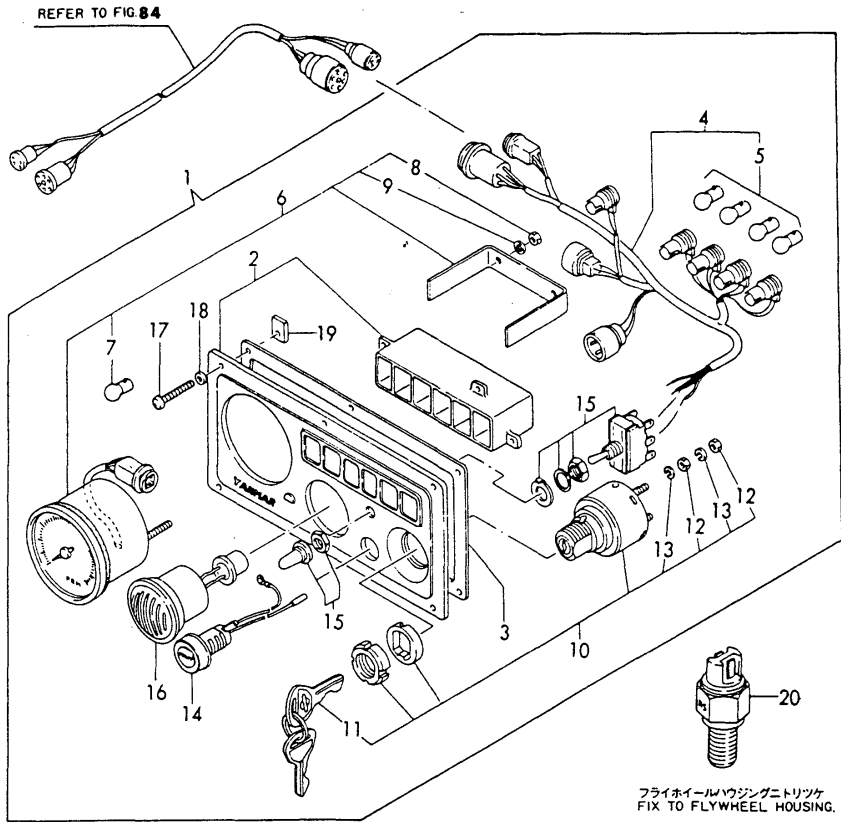
Fig. **80** シングルレバーコントロール
SINGLE LEVER CONTROL



No.	Lev.	Parts No.	Description	Q'ty						I	R	
				(A)	(B)	(C)	(D)	(E)	(F)			
1	1	128170-86500	CONTROLLER	1	1	1						
2	1	196311-34250	HEAD, REMOTE-CONTROL	1	1	1						
3	1	41710-000380	CABLE L=4000	2	2	2						

Fig.81. INSTRUMENT PANEL

Fig.81 ケイキバン(オオガタ)
INSTRUMENT PANEL



(A)=3HM35
(B)=3HM35C
(C)=3HM35F

(D)=
(E)=
(F)=

No.	Lev.	Parts No.	Description	Qty						I	R
				(A)	(B)	(C)	(D)	(E)	(F)		
1	1	128670-91001	PANEL ASSY	1	1	1					
2	2	128170-91010	BODY, PANEL	1	1	1					
3	2	128170-91020	GASKET	1	1	1					
4	2	128170-91031	HARNES, WIRE	1	1	1					
5	3	46150-001110	BULB(12V3W/G11.BA9S)	4	4	4					
6	2	128670-91100	TACHOMETER	1	1	1					
7	3	46150-001110	BULB(12V3W/G11.BA9S)	1	1	1					
8	3	26716-050002	NUT, M5	2	2	2					
9	3	22217-050000	WASHER, SPRING 5	2	2	2					
10	2	124070-91250	SWITCH, KEY	1	1	1					
11	3	124070-91290	KEY, SWITCH	1	1	1					
12	3	26716-050002	NUT, M5	4	4	4					
13	3	22217-050000	WASHER, SPRING 5	4	4	4					
14	2	124070-91300	SWITCH	1	1	1					
15	2	128170-91310	SWITCH	1	1	1					
16	2	104271-91351	BUZZER	1	1	1					
17	2	128170-91810	SCREW, M5X35	6	6	6					
18	2	128170-91820	WASHER, 5	6	6	6					
19	2	128170-91830	NUT, M5	6	6	6					
20	1	128170-91160	SENSOR	1	1	1					

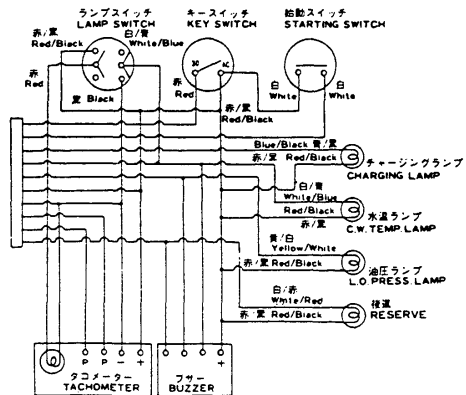
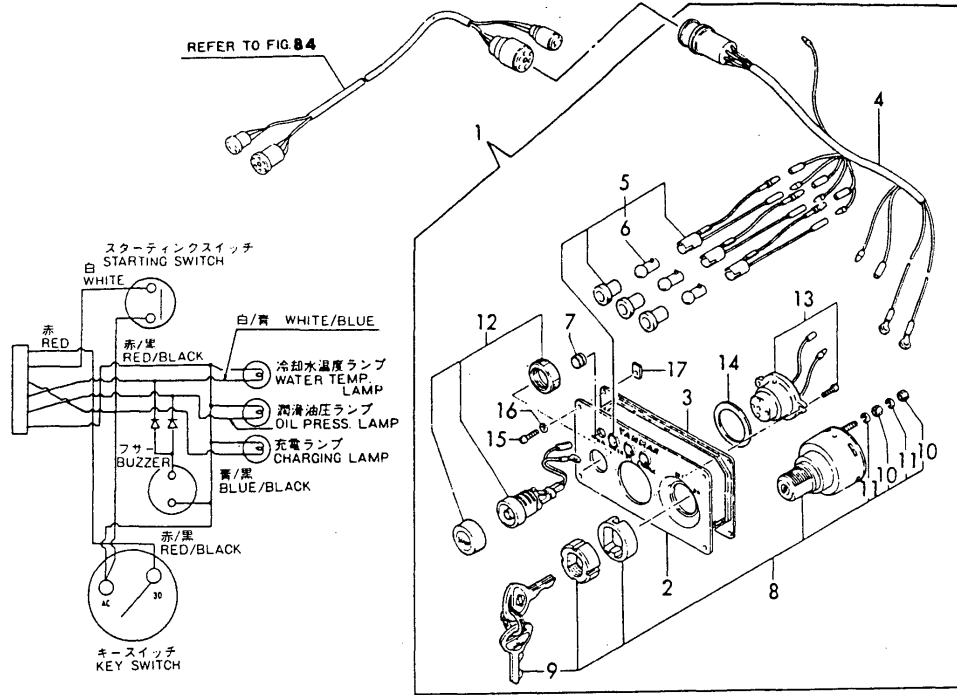


Fig.82. INSTRUMENT PANEL

Fig.82 ケイキバン(コガタ)
INSTRUMENT PANEL



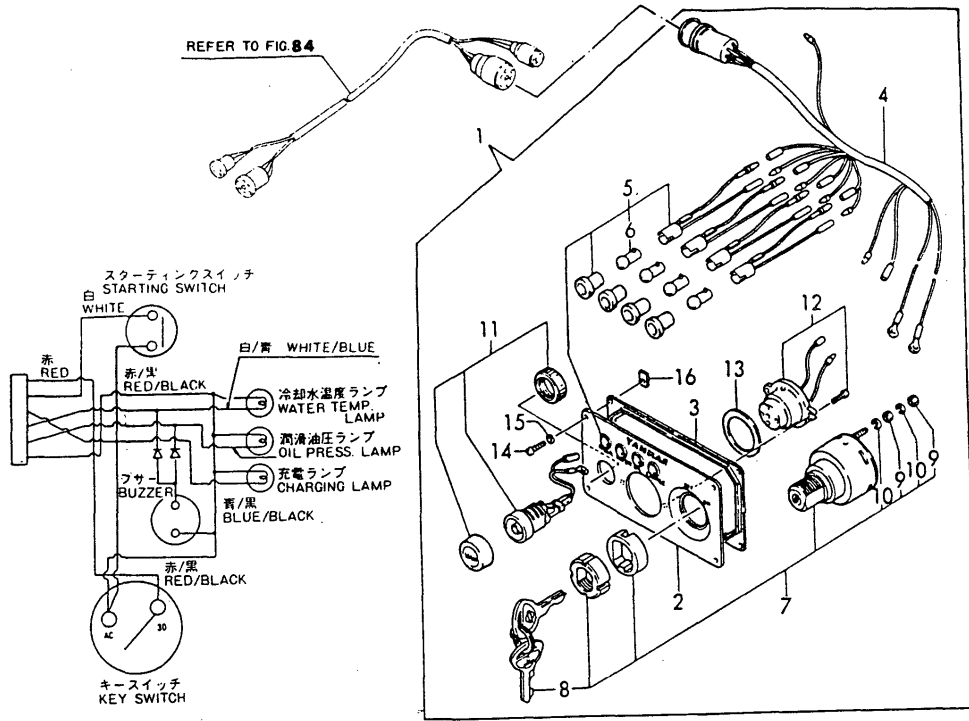
(A)=3HM35
(B)=3HM35C
(C)=3HM35F

(D)=
(E)=
(F)=

No.	Lev.	Parts No.	Description	Qty						I	R
				(A)	(B)	(C)	(D)	(E)	(F)		
1	1	128270-91001	PANEL ASSY	1		1					
2	2	128270-91010	BODY, PANEL	1		1					
3	2	128270-91020	GASKET	1		1					
4	2	128270-91031	HARNES, WIRE	1		1					
5	2	128270-91040	LAMP, PILOT	3		3					
6	3	46150-001110	BULB(12V3W/G11.BA9S)	3		3					
7	2	128270-91230	COVER, BLIND	1		1					
8	2	124070-91250	SWITCH, KEY	1		1					
9	3	124070-91290	KEY, SWITCH	1		1					
10	3	26716-050002	NUT, M5	4		4					
11	3	22217-050000	WASHER, SPRING 5	4		4					
12	2	124070-91300	SWITCH	1		1					
13	2	128270-91350	BUZZER, ALARM	1		1					
14	2	128270-91360	GASKET	1		1					
15	2	128170-91810	SCREW, M5X35	4		4					
16	2	128170-91820	WASHER, 5	4		4					
17	2	128170-91830	NUT, M5	4		4					

Fig.83. INSTRUMENT PANEL

Fig. 83 ケイキバン(コガタ)
INSTRUMENT PANEL



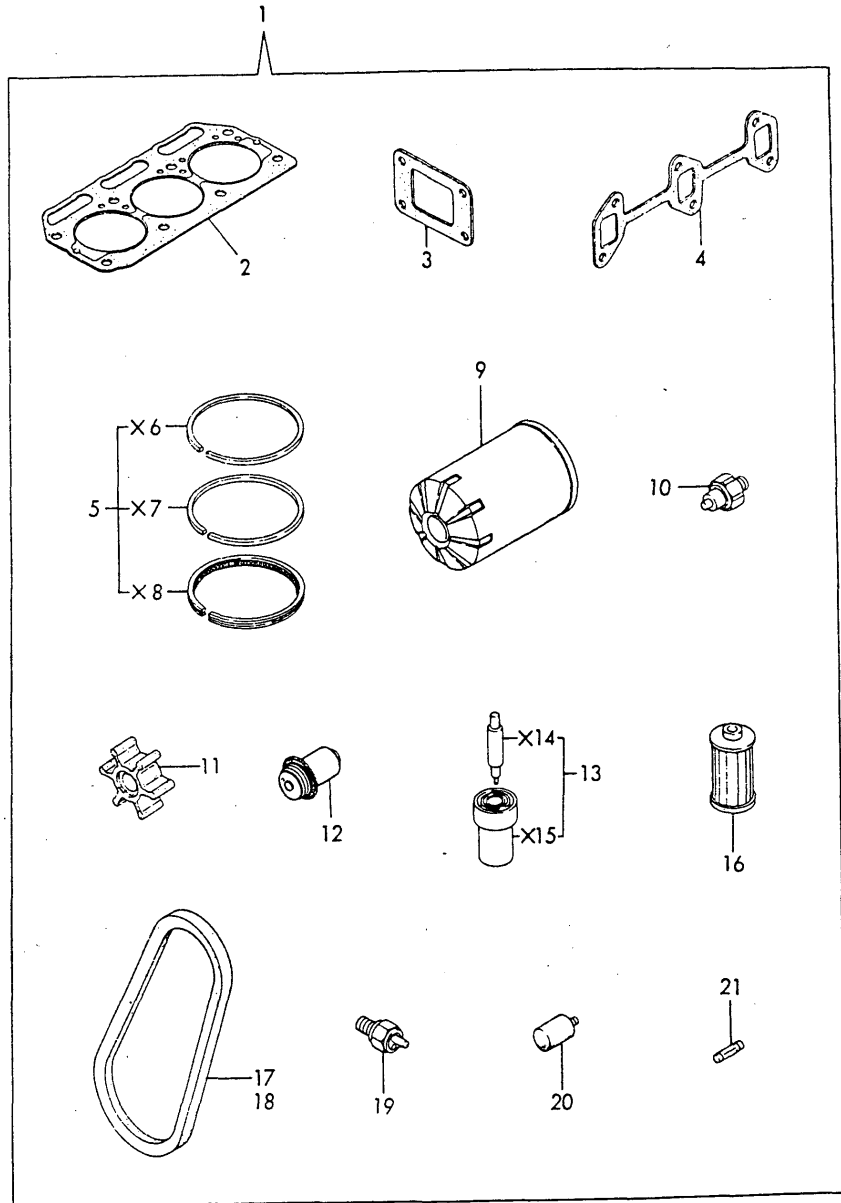
(A)=3HM35
(B)=3HM35C
(C)=3HM35F

(D)=
(E)=
(F)=

No.	Lev.	Parts No.	Description	Q'ty						I	R
				(A)	(B)	(C)	(D)	(E)	(F)		
1	1	128371-91000	PANEL ASSY		1						
2	2	128270-91010	BODY, PANEL		1						
3	2	128270-91020	GASKET		1						
4	2	128371-91030	HARNES, WIRE		1						
5	2	128270-91040	LAMP, PILOT		4						
6	3	46150-001110	BULB(12V3W/G11.BA9S)		4						
7	2	124070-91250	SWITCH, KEY		1						
8	3	124070-91290	KEY, SWITCH		1						
9	3	26716-050002	NUT, M5		4						
10	3	22217-050000	WASHER, SPRING 5		4						
11	2	124070-91300	SWITCH		1						
12	2	128270-91350	BUZZER, ALARM		1						
13	2	128270-91360	GASKET		1						
14	2	128170-91810	SCREW, M5X35		4						
15	2	128170-91820	WASHER, 5		4						
16	2	128170-91830	NUT, M5		4						

Fig.85. REPAIR SET

Fig. **85** スペアパーツ
REPAIR SET



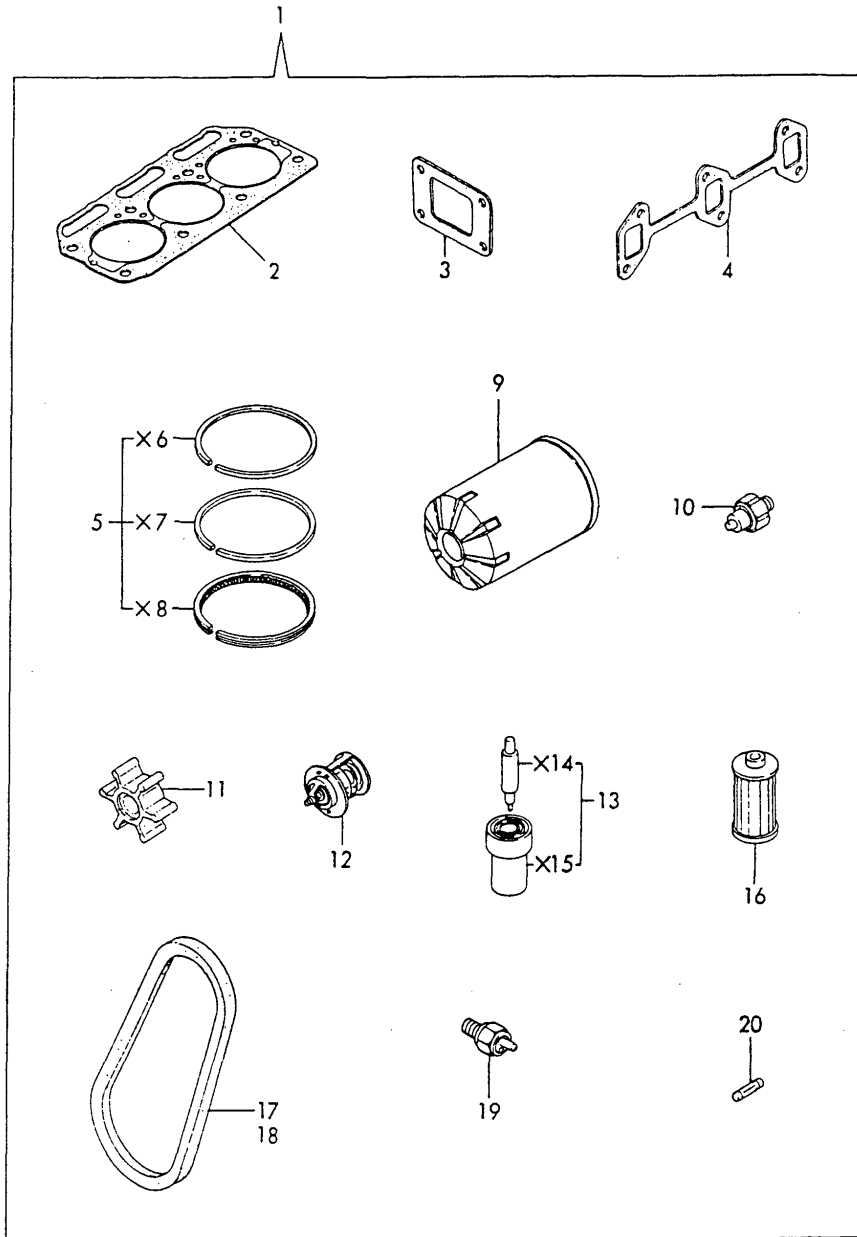
(A)=3HM35
(B)=3HM35C
(C)=3HM35F

(D)=
(E)=
(F)=

No.	Lev.	Parts No.	Description	Qty						I	R
				(A)	(B)	(C)	(D)	(E)	(F)		
1	1	728671-92500	PARTS KIT, SPARE	1	1						
2	2	128671-01330	GASKET, HEAD	1	1						
3	2	128370-13200	GASKET	1	1						
4	2	121550-13520	GASKET	1	1						
5	2	728671-22500	RING SET, PISTON	3	3						
9	2	124550-35110	ELEMENT	1	1						
10	2	124060-39451	SWITCH, 0.2KG	1	1						
11	2	124223-42091	IMPELLER	1	1						
12	2	105582-49200	THERMOSTAT	2	2						
13	2	124770-53000	VALVE ASSY,INJECTION	3	3						
16	2	104500-55710	ELEMENT	1	1						
17	2	123672-77370	V-BELT, A32	1	1						
18	2	104511-78780	V-BELT, M/19	1	1						
19	2	128275-91340	SWITCH, 65	1	1						
20	2	27210-200300	ZINC, SCREW20X30	3	3						
21	2	29411-300000	FUSE, CARTRIDGE 30A	1	1						

Fig.86. REPAIR SET

Fig. **86** スペアパーツ
REPAIR SET



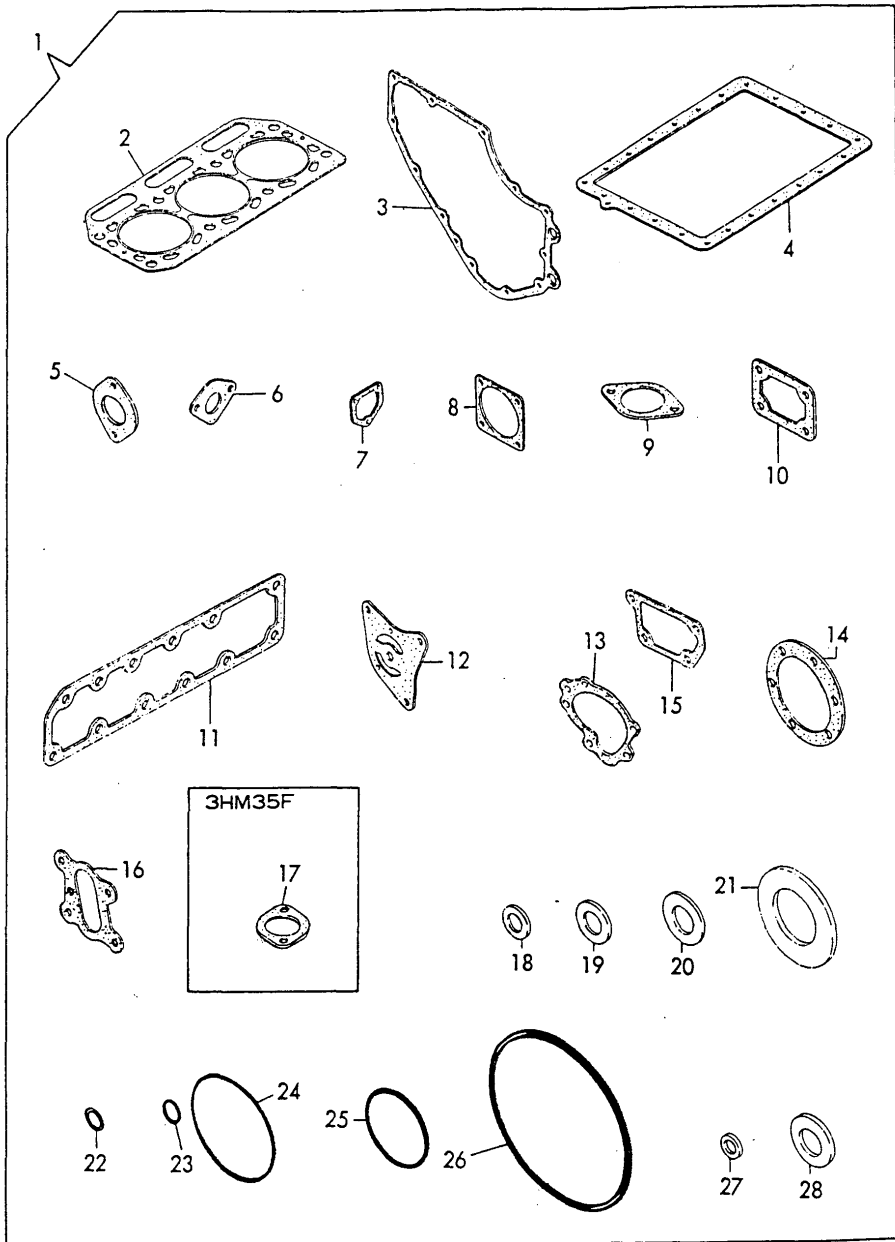
(A)=3HM35
(B)=3HM35C
(C)=3HM35F

(D)=
(E)=
(F)=

No.	Lev.	Parts No.	Description	Qty						I	R
				(A)	(B)	(C)	(D)	(E)	(F)		
1	1	728691-92500	PARTS KIT, SPARE			1					
2	2	128671-01330	GASKET, HEAD			1					
3	2	128370-13200	GASKET			1					
4	2	121550-13520	GASKET			1					
5	2	728671-22500	RING SET, PISTON			3					
9	2	124550-35110	ELEMENT			1					
10	2	124060-39451	SWITCH, 0.2KG			1					
11	2	124223-42091	IMPELLER			1					
12	2	121750-49800	THERMOSTAT			1					
13	2	124770-53000	VALVE ASSY,INJECTION			3					
16	2	104500-55710	ELEMENT			1					
17	2	121252-42290	V-BELT, A40			1					
18	2	104500-55710	ELEMENT			1					
19	2	127610-91350	SWITCH, 95			1					
20	2	29411-300000	FUSE, CARTRIDGE 30A			1					

Fig.87. GASKET SET

Fig. **87** パッキンセット
GASKET SET

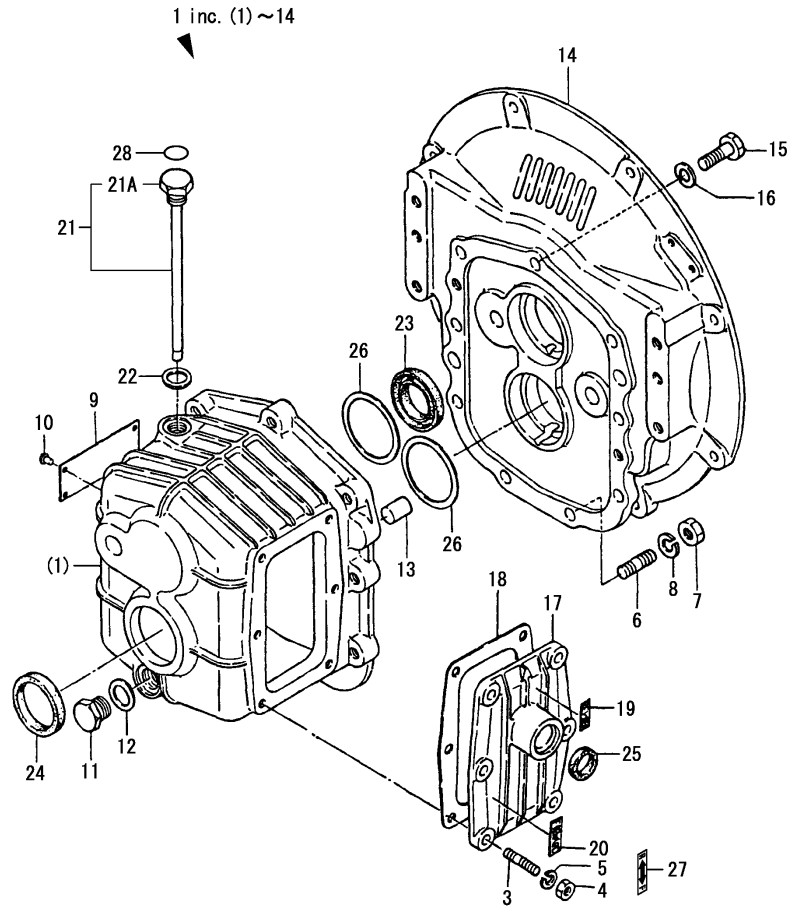


(A)=3HM35
(B)=3HM35C
(C)=3HM35F

(D)=
(E)=
(F)=

No.	Lev.	Parts No.	Description	Q'ty						I	R
				(A)	(B)	(C)	(D)	(E)	(F)		
1	1	728670-92601	GASKET SET	1	1	1					
2	2	128671-01330	GASKET, HEAD	1	1	1					
3	2	121575-01510	GASKET, GEAR CASE	1	1	1					
4	2	121575-01750	GASKET, OIL SUMP	1	1	1					
5	2	128695-01840	GASKET	1	1	1					
6	2	121520-01850	GASKET	1	1	1					
7	2	121575-01860	GASKET	1	1	1					
8	2	124240-01882	GASKET	1	1	1					
9	2	121450-03071	GASKET	1	1	1					
10	2	121450-11680	GASKET	1	1	1					
11	2	128670-13180	GASKET	1	1	1					
12	2	121450-32021	GASKET, PUMP	1	1	1					
13	2	121000-42051	GASKET, WATER PUMP	1	1	1					
14	2	124223-42110	GASKET, WATER PUMP	1	1	1					
15	2	121450-44410	GASKET	1	1	1					
16	2	121575-49160	GASKET	1	1						
17	2	129350-49540	GASKET							1	
18	2	23414-080000	GASKET, 8X1.0	20	20	20					
19	2	23414-100000	GASKET, 10X1.0	5	5	5					
20	2	23414-120000	GASKET, 12X1.0	20	20	20					
21	2	23414-250000	GASKET, 25X1.0	5	5	5					
22	2	24311-000100	O-RING, 1AP10.0	2	2	2					
23	2	24311-000160	O-RING, 1AP16.0	1	1	1					
24	2	24311-000700	O-RING, 1AP70.0	2	2	2					
25	2	24321-000350	O-RING, 1AG35.0	1	1	1					
26	2	24341-001350	O-RING, 1AS135.0	1	1	1					
27	2	43400-500390	SEAL WASHER 6S	2	2	2					
28	2	43400-500450	SEAL WASHER 12S	2	2	2					

Fig.88. CLUTCH HOUSING



(A)=KBW10-E

(B)=

(C)=

(D)=

(E)=

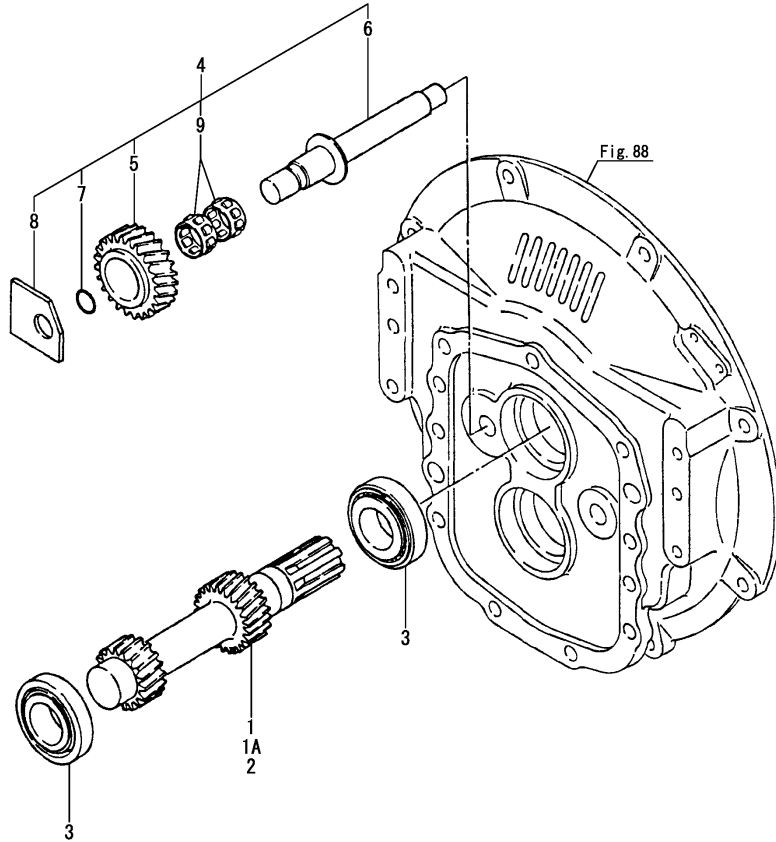
(F)=

No.	Lev.	Parts No.	Description	Qty						I	R
				(A)	(B)	(C)	(D)	(E)	(F)		
1	1	777099-02550	HOUSING ASSY, CLUTCH	1							
3	2	26286-080222	STUD M 8X 22 PLATED	6							
4	2	26716-080002	NUT, M8	6							
5	2	22287-080000	WASHER, 8	6							
6	2	26223-100222	STUD, M10X 22	4							
7	2	26703-100002	NUT, M10	4							
8	2	22133-100000	WASHER, 10	4							
9	2	177099-02421	LABEL	1							
9-1	2	177099-02422	LABEL	1							N
(A=CXXXXX)											
10	2	102210-07990	RIVET	4							
11	2	23884-160002	PLUG 16,HEX.	1							
12	2	23414-160021	GASKET, 16X1.0	1							
13	2	177099-02130	PIN, PARALLEL	2							
14	2	177080-02030	FLANGE, MOUNTING	1							
15	1	26116-100302	BOLT, M10X 30 PLATED	9							
16	1	22287-100000	WASHER, 10	5							
17	1	177099-02081	COVER	1							
18	1	177099-02091	GASKET	1							
19	1	177090-02630	LABEL	1							Z
(A=CXXXXX)											
20	1	177090-02620	LABEL	1							Z
(A=CXXXXX)											
21	1	177099-02450	DIPSTICK	1							
21A	2	177099-02470	COVER	1							
22	1	23414-160021	GASKET, 16X1.0	1							
23	1	177099-02950	SEAL TC30 52 8, OIL	1							
24	1	177099-02960	SEAL TC40 52 8, OIL	1							
24-1	1	24421-405208	SEAL, OIL TC405208	1							R
(A=CXXXXX)											
25	1	177095-02980	SEAL, OIL	1							
26	1	177099-02250	SHIM SET	2							
27	1	177088-02430	LABEL	1							W
(A=CXXXXX)											
28	1	177075-02550	LABEL, OIL	1							W
(A=CXXXXX)											
28-1	1	177075-02551	LABEL, OIL	1							N
(A=CXXXXX)											

Fig.89. INPUT SHAFT & IDLE GEAR SHAFT

(A)=KBW10-E
(B)=
(C)=

(D)=
(E)=
(F)=

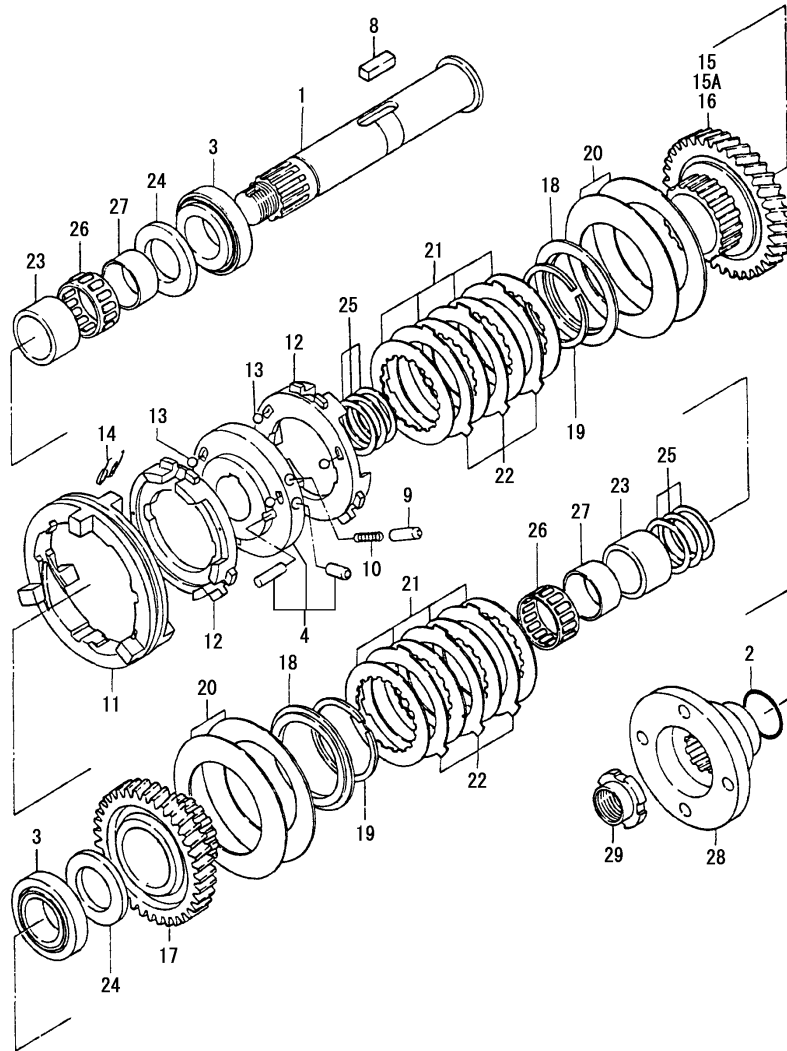


No.	Lev.	Parts No.	Description	Q'ty						I	R
				(A)	(B)	(C)	(D)	(E)	(F)		
1	1	177099-03011	SHAFT, INPUT l=2.14	1							
1A	1	177099-03360	SHAFT, INPUT l=2.45	1							
2	1	177099-03411	SHAFT, INPUT l=2.83	1							
3	1	177099-03920	ROLLER BEARING	2							
4	1	777099-03021	SHAFT ASSY	1							
5	2	177099-03301	GEAR, IDLE Z=25	1							
6	2	177099-03980	SHAFT, GEAR	1							
7	2	24341-000150	O-RING, 1AS15.0	1							
8	2	177099-03321	WASHER	1							
9	2	177099-03901	NEEDLE BEARING	2							

Fig.90. OUTPUT SHAFT

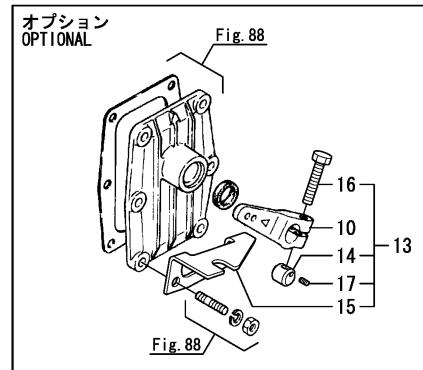
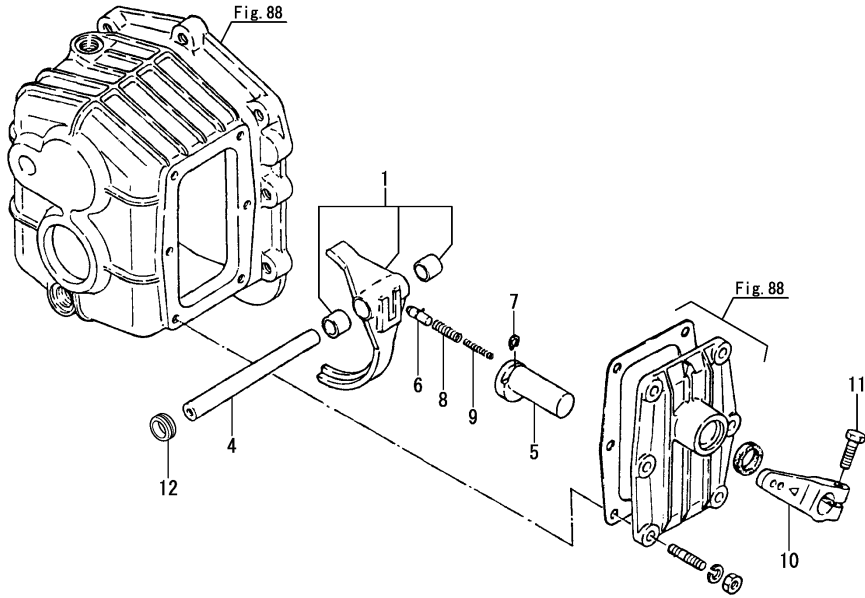
(A)=KBW10-E
(B)=
(C)=

(D)=
(E)=
(F)=



No.	Lev.	Parts No.	Description	Q'ty						I	R
				(A)	(B)	(C)	(D)	(E)	(F)		
1	1	177099-03021	SHAFT, OUTPUT	1							
2	1	24341-000300	O-RING, 1AS30.0	1							
3	1	177099-03920	ROLLER BEARING	2							
4	1	177099-03040	PLATE ASSY, DRIVE	2							
8	1	177090-03230	KEY	1							
9	1	177095-03190	PIN	3							
10	1	177095-03200	SPRING	3							
11	1	177099-03070	RING, SHIFT	1							
12	1	177099-03080	PLATE, PRESSURE	2							
13	1	177090-03180	BALL, STEEL	6							
14	1	177095-03210	SPRING	3							
15	1	177099-03101	GEAR, Z=47 I=2.14	1							
15A	1	177099-03370	GEAR, Z=49 I=2.45	1							
16	1	177099-03431	GEAR, Z=51 I=2.83	1							
17	1	177099-03111	GEAR, Z=45	1							
18	1	177090-03110	RETAINER	2							
19	1	177095-03280	CIRCLIP	2							
20	1	177090-03121	SPRING	2							
21	1	177090-03080	DISK, D78 T1.7	8							
22	1	177090-03090	PLATE, STEEL	6							
23	1	177099-03161	SPACER	2							
24	1	177090-03270	COLLAR, THRUST	2							
25	1	177095-03800	SHIM SET	2							
26	1	177095-03900	ROLLER BEARING	2							
27	1	177099-03470	RACE, INNER	2							
28	1	177099-03550	COUPLING	1							
29	1	177099-03540	NUT, LOCK	1							

Fig.91. REMOTE CONTROL DEVICE



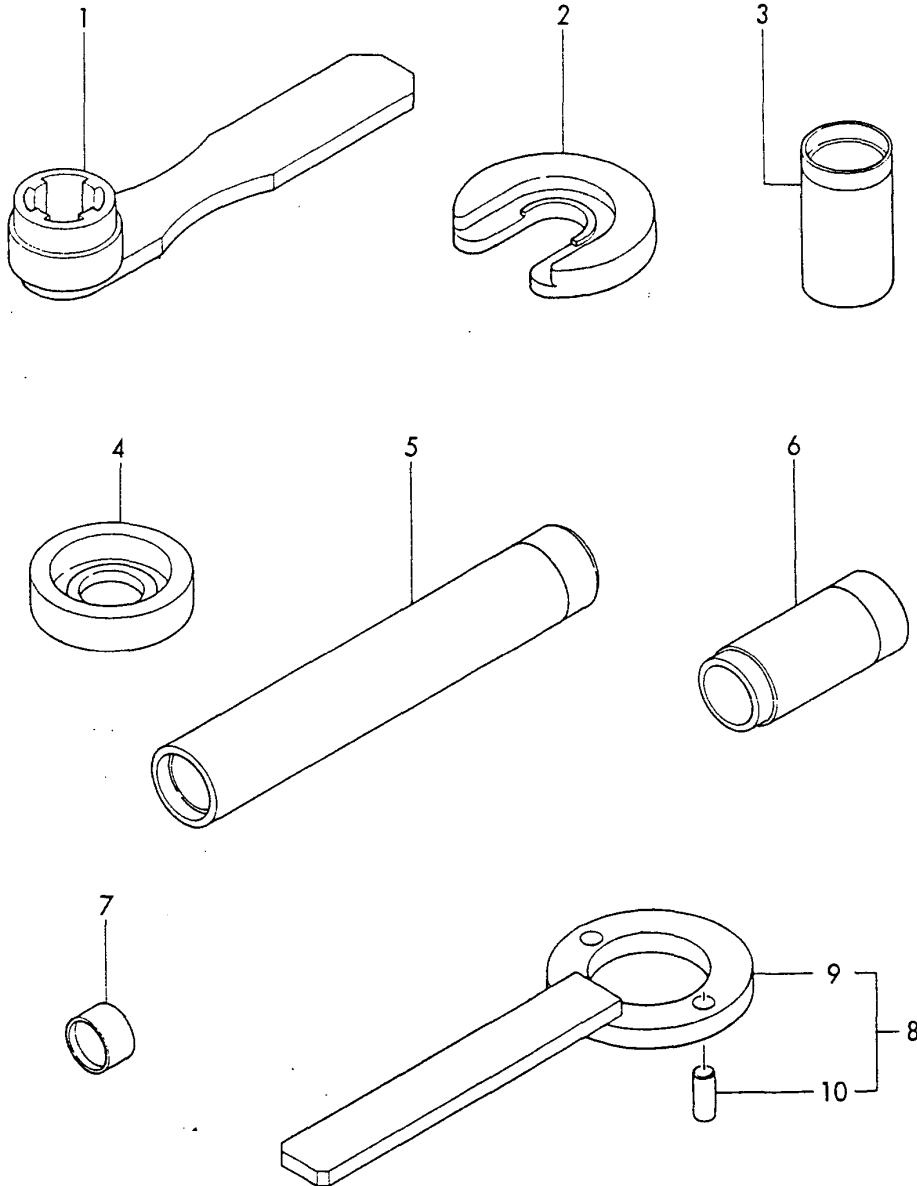
(A)=KBW10-E
(B)=
(C)=

(D)=
(E)=
(F)=

No.	Lev.	Parts No.	Description	Q'ty						I	R
				(A)	(B)	(C)	(D)	(E)	(F)		
1	1	177099-06010	FORK ASSY	1							
4	1	177099-06041	SHAFT, SHIFT	1							
5	1	177095-06030	CAM, SHIFT	1							
6	1	177095-06050	PIN	1							
7	1	177095-06140	CIRCLIP	1							
8	1	177095-03200	SPRING	1							
9	1	177095-06060	SPRING	1							
10	1	177095-06040	LEVER	1							
10-1	1	177095-06041	LEVER	1							R
(A=CXXXXX)											
11	1	26116-080252	BOLT, M8X 25 PLATED	1							
12	1	177099-06050	PLUG	1							
13	1	177084-06340	STAY ASSY, SWITCH	1							W
(A=CXXXXX)											
14	2	177074-06300	CONTACT	1							W
(A=CXXXXX)											
15	2	177084-06350	STAY, SWITCH	1							W
(A=CXXXXX)											
16	2	26116-080404	BOLT, M8X 40 PLATED	1							W
(A=CXXXXX)											
17	2	26979-040082	SCREW, M4X 8	1							W
(A=CXXXXX)											

Fig.92. TOOLS(OPTIONAL PARTS)

Fig. **92** コウグ(トクベツチュウモンブヒン)
TOOLS (OPTIONAL PARTS)



(A)=KBW10-E
(B)=
(C)=

(D)=
(E)=
(F)=

No.	Lev.	Parts No.	Description	Q'ty						I	R
				(A)	(B)	(C)	(D)	(E)	(F)		
1	1	177099-09010	WRENCH	1							
2	1	177099-09030	RETAINER	1							
3	1	177095-09070	SPRING	1							
4	1	177090-09010	SPACER	1							
5	1	177095-09020	TOOL, REPLACER	1							
6	1	177099-09040	PIPE	1							
7	1	177095-09170	TOOL, REPLACER	1							
8	1	177099-09080	STOPPER ASSY	1							
9	2	177099-09020	WRENCH	1							
10	2	22312-100200	PIN, PARALLEL M10X20	2							

Parts No. Index

Parts No.	Fig. No.	Ref. No.
*REF. 5= 2	1	15
	2	16
*REF. 6=15	1	16
	2	17
*REF. 8	19	4
*REF. 16= 1	1	17
*REF. 16= 2	1	18
	17	24
*REF. 16= 3	17	25
*REF. 16= 4	17	26
*REF. 16= 5	1	19
	17	27
*REF. 20=10	17	28
	18	24
*REF. 20=11	17	29
	18	25
	17	30
*REF. 21=12	17	31
*REF. 21=13	17	32
*REF. 21=14	17	32
*REF. 35=31	18	26
*REF. 35=32	18	27
101104-92180	65	4
101147-11900	17	61
	18	56
101147-59810	50	7
101158-11230	17	46
		52
	18	41
		47
101720-55750	45	7
	48	12
	49	12
102210-07990	88	10
102700-92140	65	3
103288-39170	32	3
	50	2
103338-11430	17	56
	18	51
103854-51251	42	13
103854-51660	42	31
103854-53180	44	11
103854-59191	48	10
	49	10
103854-59201	48	11
	49	11
104200-11920	21	8
104200-14200	23	8
104200-22300	26	7
104200-53080	44	5
104200-61200	51	4

Parts No.	Fig. No.	Ref. No.
104200-92350	64	7
104211-03770	55	3
104211-11100	17	3
	18	3
104211-11110	17	4
	18	4
104211-11180	17	8
	18	8
104211-11370	17	11
	18	11
104211-42130	51	1
104211-53120	44	8
104214-13580	68	5
	69	5
104214-83980	79	1
104264-59020	48	6
	49	6
104264-59030	43	3
	48	7
	49	7
104264-59040	48	8
	49	8
104271-67550	74	1
104271-91351	81	16
104500-55710	45	3
	85	16
	86	16
		18
104511-78780	33	22
	85	18
104884-59170	48	18
	49	18
105212-21600	24	11
	25	11
105225-11350	17	12
	18	12
105311-01090	1	4
	2	4
105311-67100	56	1
105311-67200	56	3
105582-49200	39	7
	85	12
105582-59150	43	4
	48	9
	49	9
105583-85900	77	1
110250-53150	44	10
110250-55610	45	5
113200-53110	44	7
113200-53120	44	9

Parts No.	Fig. No.	Ref. No.
120130-49350	1	21
	2	19
	35	27
120345-13160	35	3
120445-44540	36	2
120445-44620	10	6
121000-01850	3	11
121000-11050	17	17
	18	17
121000-14110	23	7
121000-42051	34	2
	87	13
121000-42100	34	3
121000-61600	51	16
121000-66090	52	3
121150-51460	42	23
121250-02070	6	7
		12
121250-11550	20	10
121250-35320	31	3
121250-35330	31	4
121250-35340	31	5
121250-59860	46	6
	47	5
121252-42290	59	3
	86	17
121370-35080	30	2
121370-49040	37	3
121370-55730	45	4
121450-01210	1	7
	2	7
121450-01220	1	8
	2	8
121450-01560	3	3
121450-01801	3	8
121450-01951	3	13
121450-03071	9	4
	87	9
121450-03610	8	1
121450-11260	17	36
	18	31
121450-11270	17	37
	18	32
121450-11670	18	19
121450-11680	17	20
	18	20
	87	10
121450-21540	24	8
	25	8
121450-32021	28	1

Parts No.	Fig. No.	Ref. No.
121450-32021	87	12
121450-32050	28	4
121450-32200	28	10
121450-42240	34	6
121450-42260	34	7
121450-42310	34	8
121450-44410	34	16
	39	3
	87	15
121450-51500	42	24
121450-51550	42	25
121450-59850	46	5
121462-03740	8	2
121465-59950	46	8
	47	6
121520-01850	43	1
	87	6
121520-02100	6	15
121520-02310	6	24
121550-02110	6	3
121550-02300	6	16
121550-02320	6	19
121550-02330	6	20
121550-02350	6	22
121550-03760	8	3
121550-11240	17	33
	18	28
121550-11280	17	38
	18	33
121550-11290	17	39
	18	34
121550-11310	19	3
121550-11451	17	58
	18	53
121550-13520	21	11
	35	34
	85	4
	86	4
121550-14400	23	9
121550-23200	27	4
121550-23380	27	7
121550-35100	1	13
	2	14
121550-35111	1	14
	2	15
121550-59810	46	2
121550-59820	46	3
121550-59830	46	4
121551-02220	6	4
121551-12710	20	8

Parts No. Index

Parts No.	Fig. No.	Ref. No.
121574-01600	5	6
121574-01630	5	5
121574-21500	24	12
	25	12
121575-01200	1	6
	2	6
121575-01510	3	7
	87	3
121575-01750	4	5
	87	4
121575-01860	3	12
	87	7
121575-03770	8	4
121575-07230	11	1
121575-07240	11	2
121575-11121	17	5
	18	5
121575-11421	17	54
	18	49
121575-11670	17	19
121575-12700	20	5
121575-14090	23	5
121575-32090	28	2
121575-35090	30	3
121575-39200	32	2
121575-42000	33	1
121575-42120	33	16
121575-42150	33	13
121575-49020	37	2
121575-49100	39	4
121575-49150	39	5
121575-49160	39	6
	87	16
121575-49300	21	7
	33	18
	68	12
121575-49310	38	3
121575-59500	50	1
121575-61160	51	12
121575-61220	51	5
121575-61620	51	17
121575-61710	51	18
121575-61720	51	19
121575-66051	52	2
121575-66200	52	9
121575-66310	51	20
121575-66510	55	1
121575-66550	55	5
121575-66580	55	6
121575-66800	53	1

Parts No.	Fig. No.	Ref. No.
121575-66830	54	6
121575-66850	53	2
121575-67580	56	8
121750-49800	40	3
	86	12
122410-61650	51	15
122780-09320	16	3
123210-09310	16	2
123310-77640	75	1
123372-59100	46	1
	47	1
123672-77370	58	3
	85	17
123682-07850	10	4
123682-44190	35	13
123682-44200	35	12
123682-44210	35	14
123682-44220	35	15
124000-03200	9	5
124060-01050	1	3
	2	3
	3	6
124060-11220	17	44
		50
	18	39
		45
124060-11800	17	6
	18	6
124060-11810	17	7
	18	7
124060-23100	27	3
124060-39451	32	10
	85	10
	86	10
124070-13300	1	24
	21	6
	39	1
	68	3
	69	3
124070-13520	68	1
	69	1
124070-42400	33	17
124070-42420	33	6
124070-59060	73	2
124070-59130	73	3
124070-77950	60	4
124070-91250	81	10
	82	8
	83	7
124070-91290	81	11

Parts No.	Fig. No.	Ref. No.
124070-91290	82	9
	83	8
124070-91300	81	14
	82	12
	83	11
124085-01900	1	10
	2	10
	58	2
	59	2
124085-35300	31	1
124085-35350	31	7
124085-92210	65	5
124085-92250	65	6
124085-92700	65	17
124160-01751	19	5
124160-11360	19	6
124160-39140	32	1
124160-39540	32	8
124160-49480	2	25
	35	19
124220-09340	10	5
124220-51890	42	33
124223-42040	33	9
124223-42070	33	10
124223-42080	33	8
124223-42091	33	3
	85	11
	86	11
124223-42110	33	14
	87	14
124223-49050	41	1
	72	2
124223-49750	21	9
124240-01871	1	25
	2	20
124240-01882	1	26
	2	21
	87	8
124250-03640	55	4
124250-77012	57	1
	66	1
124323-42100	33	19
124450-11320	20	6
124450-35070	30	1
124450-35110	30	7
124450-39180	32	4
	50	3
124450-39240	32	9
124460-77680	1	29
	2	26

Parts No.	Fig. No.	Ref. No.
124460-77680	35	29
124500-01950	1	11
	2	12
124550-35110	30	6
	85	9
	86	9
124550-35350	65	2
124550-51320	42	18
124550-51341	42	19
124550-51350	42	20
124550-51370	42	21
124550-51590	42	26
124550-59820	32	11
124550-77030	57	2
124722-59050	35	28
124736-07900	12	2
124770-11770	20	7
124770-12500	20	1
124770-12530	20	3
124770-12540	20	4
124770-49040	38	2
124770-53000	44	2
	85	13
	86	13
124770-77940	60	3
124772-08341	15	5
124790-44470	35	17
124790-44560	36	3
124790-55601	45	1
124790-59530	50	4
124950-11340	17	10
	18	10
124950-51190	42	8
124950-51270	42	14
124950-51450	42	22
124950-51510	42	28
124950-51640	42	29
126630-07370	10	3
127610-42130	39	2
127610-91350	40	4
	86	19
127611-07350	10	2
128170-66870	54	7
128170-66880	54	8
128170-66890	54	12
128170-77500	60	6
	84	1
128170-86500	80	1
128170-91010	81	2
128170-91020	81	3

Parts No. Index

Parts No.	Fig. No.	Ref. No.
128170-91031	81	4
128170-91160	81	20
128170-91310	81	15
128170-91810	81	17
	82	15
	83	14
128170-91820	81	18
	82	16
	83	15
128170-91830	81	19
	82	17
	83	16
128270-09300	16	1
128270-42150	33	21
128270-49050	37	4
128270-66010	52	1
128270-66550	54	1
128270-77340	58	6
	59	6
128270-77921	60	1
128270-91001	82	1
128270-91010	82	2
	83	2
128270-91020	82	3
	83	3
128270-91031	82	4
128270-91040	82	5
	83	5
128270-91230	82	7
128270-91350	82	13
	83	12
128270-91360	82	14
	83	13
128275-11490	17	59
	18	54
128275-39710	70	2
128275-91340	39	8
	85	19
128370-13200	22	1
	68	14
	85	3
	86	3
128370-13220	68	13
128370-13230	22	1 -1
	68	11
128370-13530	22	2
128370-13550	22	2 -1
128370-13610	68	8
	69	8
128370-49250	68	6

Parts No.	Fig. No.	Ref. No.
128370-59081	49	4
128370-86280	63	2
128371-91000	83	1
128371-91030	83	4
128670-01450	1	23
128670-01600	5	1
128670-03010	9	1
128670-03030	9	2
128670-03040	9	3
128670-08100	13	1
128670-08120	13	2
128670-08130	13	3
128670-08150	14	1
128670-08160	14	2
128670-08400	15	2
128670-13160	21	3
128670-13180	21	4
	87	11
128670-21590	24	9
	25	9
128670-21650	24	13
128670-49010	37	1
128670-59010	48	1
128670-59081	48	4
128670-81010	61	1
128670-81020	61	2
128670-86250	63	1
128670-86300	63	3
128670-91001	81	1
128670-91100	81	6
128670-92260	65	7
128670-92270	65	8
128670-92400	65	9
128671-01330	1	22
	2	24
	85	2
	86	2
	87	2
128671-22090	26	1
128671-77330	58	4
	59	4
128690-49010	38	1
128690-49250	69	6
128690-49310	35	6
128690-59010	49	1
128695-01840	3	10
	87	5
128695-07230	12	1
128695-11410	17	57
	18	52

Parts No.	Fig. No.	Ref. No.
128695-11500	17	60
	18	55
128695-21650	25	13
128695-34800	29	1
128695-42010	34	1
128695-42350	34	15
128695-44050	35	4
128695-44070	35	10
128695-44090	35	11
128695-44400	35	16
128695-44480	35	18
128695-49520	38	4
128695-49530	38	5
	6	
128695-49550	40	1
128695-59810	47	2
128695-59820	47	3
128695-59830	47	4
128696-51100	42	3
128696-51300	42	15
129301-52020	43	2
129350-01230	1	20
	2	18
129350-14100	23	6
129350-21200	24	7
	25	7
129350-42200	34	5
129350-49540	40	2
	87	17
129772-77200	58	1
	59	1
	67	1
135210-51900	45	9
135210-61090	54	14
138603-59380	73	6
160110-66011	8	5
171016-01550	3	9
171016-61100	51	2
171051-01921	2	11
172100-22400	26	8
172100-53200	44	12
174100-54120	42	12
174307-51170	42	6
174307-51181	42	7
174307-51700	42	32
177074-06300	91	14
177075-02550	88	28
177075-02551	88	28 -1
177080-02030	88	14
177084-06340	91	13

Parts No.	Fig. No.	Ref. No.
177084-06350	91	15
177088-02430	10	1
	88	27
177090-02620	88	20
177090-02630	88	19
177090-03080	90	21
177090-03090	90	22
177090-03110	90	18
177090-03121	90	20
177090-03180	90	13
177090-03230	90	8
177090-03270	90	24
177090-09010	92	4
177095-02980	88	25
177095-03190	90	9
177095-03200	90	10
	91	8
177095-03210	90	14
177095-03280	90	19
177095-03800	90	25
177095-03900	90	26
177095-06030	91	5
177095-06040	91	10
177095-06041	91	10 -1
177095-06050	91	6
177095-06060	91	9
177095-06140	91	7
177095-09020	92	5
177095-09070	92	3
177095-09170	92	7
177099-02081	88	17
177099-02091	88	18
177099-02130	88	13
177099-02250	88	26
177099-02421	88	9
177099-02422	88	9 -1
177099-02450	88	21
177099-02470	88	21 A
177099-02950	88	23
177099-02960	88	24
177099-03011	89	1
177099-03021	90	1
177099-03040	90	4
177099-03070	90	11
177099-03080	90	12
177099-03101	90	15
177099-03111	90	17
177099-03161	90	23
177099-03301	89	5
177099-03321	89	8

Parts No. Index

Parts No.	Fig. No.	Ref. No.
177099-03360	89	1 A
177099-03370	90	15 A
177099-03411	89	2
177099-03431	90	16
177099-03470	90	27
177099-03500	61	3
	62	1
177099-03540	90	29
177099-03550	90	28
177099-03901	89	9
177099-03920	89	3
	90	3
177099-03980	89	6
177099-06010	91	1
177099-06041	91	4
177099-06050	91	12
177099-09010	92	1
177099-09020	92	9
177099-09030	92	2
177099-09040	92	6
177099-09080	92	8
196311-34250	80	2
196420-02310	15	1
22113-060000	63	4
22117-050000	8	6
	42	35
22117-060000	55	7
22133-100000	88	8
22137-100000	17	14
	18	14
22217-050000	42	36
	63	5
	81	9
		13
	82	11
	83	10
22217-060000	34	17
	55	8
22217-080000	21	13
		15
	22	3
	39	9
22217-120000	15	3
22242-000100	51	21
	56	7
22242-000120	52	6
22242-000140	17	40
	18	35
22242-000150	33	11
22252-000350	33	12

Parts No.	Fig. No.	Ref. No.
22287-080000	8	7
	88	5
22287-100000	88	16
22312-030220	8	8
22312-040080	51	22
22312-080160	5	2
	24	3
	25	3
22312-100200	92	10
22322-030150	55	9
22322-030200	51	10
22351-030012	51	11
22351-040008	39	10
	51	23
22351-040010	3	5
22351-060012	1	5
	2	5
22414-160100	63	6
22414-250150	56	9
22451-100000	54	9
22512-070180	24	4
		5
	25	4
		5
22512-070300	23	4
22724-800380	72	5
	75	2
23000-022000	37	5
	41	2
23000-025000	37	6
		6 -1
	38	7
	68	7
	69	7
	72	3
23000-041000	38	8
23010-013000	36	4
23010-014000	73	7
23061-070200	1	30
	2	27
23061-070300	35	30
23061-100500	21	10
23080-013000	9	7
23080-018000	70	3
23341-060000	48	3
	49	3
23414-050000	35	9
23414-060000	54	10
23414-080000	1	27
	2	22

Parts No.	Fig. No.	Ref. No.
23414-080000	32	12
	43	5
	48	14
	49	14
	50	8
	87	18
23414-080012	45	10
23414-100000	32	13
	87	19
23414-120000	48	15
		16
	49	15
		16
	87	20
23414-130000	4	3
23414-160021	88	12
		22
23414-170022	35	20
23414-250000	16	4
	87	21
23418-060000	45	8
23857-060000	48	17
	49	17
23871-020000	17	23
	18	23
	34	12
23871-030000	21	7 -1
23873-030000	17	18
	18	18
	34	9
		13
23884-160002	88	11
23887-180002	5	4
23893-020002	4	4
23893-030002	35	21
24101-062054	7	1
24101-063054	3	14
24107-062024	33	7
24190-100001	31	6
24311-000070	8	9
	55	10
24311-000090	52	7
24311-000100	1	9
		9
	2	9
	87	22
24311-000120	19	7
24311-000160	35	7
	87	23
24311-000700	35	22
	87	24

Parts No.	Fig. No.	Ref. No.
24321-000350	19	8
	87	25
24341-000150	89	7
24341-000300	90	2
24341-000440	45	6
24341-001350	6	17
	87	26
24421-405208	88	24 -1
26013-060162	43	6
	45	11
26013-080142	9	6
	61	4
	62	2
26013-080202	6	18
	39	11
26013-080252	21	5
26013-080502	39	12
26013-120302	13	4
	14	3
26016-060142	20	9
26106-060102	34	19
	46	7
	56	10
26106-060122	3	15
		17
	56	11
26106-060142	3	16
	30	8
	35	23
	63	7
26106-060202	28	11
26106-060222	4	6
26106-060282	51	24
26106-060322	34	14
26106-080122	18	21
	33	23
26106-080142	1	28
	2	23
	60	5
26106-080162	18	22
26106-080202	35	24
26106-080252	61	5
26106-080302	3	18
	17	21
		22
	40	5
	58	5
	59	5
26106-080652	40	6
26106-080852	3	19

Parts No. Index

Parts No.	Fig. No.	Ref. No.
26106-080902	3	20
	34	18
	35	31
26106-081102	34	20
26106-100162	58	8
	59	8
26106-100252	5	3
26106-100282	13	5
26106-100322	76	4
	78	2
	79	2
26106-100352	77	2
26115-080202	22	4
26115-080802	21	16
26116-080252	91	11
26116-080402	68	9
	69	9
26116-080404	91	16
26116-080602	39	13
	68	10
	69	10
26116-081152	3	21
		22
26116-100302	88	15
26203-080452	68	9 -1
26203-080652	68	10 -1
26213-080802	21	12
26216-060202	35	25
26216-080702	17	15
	18	15
26216-080902	35	32
26223-100222	88	6
26226-080222	61	6
26226-120252	57	3
26286-080222	88	3
26347-080002	33	5
26366-060002	8	10
	35	26
	63	8
26366-080002	3	4
	17	16
	18	16
	20	11
	35	33
	58	7
	59	7
	61	7
26399-080002	52	8
26450-080282	79	3
26554-040082	33	15

Parts No.	Fig. No.	Ref. No.
26554-040102	33	20
26554-050102	35	8
26557-050122	8	11
	55	11
	56	12
	63	9
26587-050102	42	37
26587-080102	7	2
26703-100002	88	7
26706-080002	21	14
26706-100002	76	5
	77	3
	78	3
	79	4
26716-050002	81	8
		12
	82	10
	83	9
26716-060002	55	12
26716-080002	88	4
26716-120002	15	4
	57	4
26716-160002	65	16
26756-050002	8	12
	55	13
26756-060002	53	3
	54	11
26756-080002	17	47
		53
	18	42
		48
	57	5
	76	3
26776-100002	17	13
	18	13
26776-120002	11	3
	12	3
26776-180002	24	14
	25	14
26921-080102	17	41
	18	36
26979-040082	91	17
27210-200300	16	5
	85	20
27233-250000	68	4
	69	4
27243-300000	1	12
	2	13
27310-070001	17	9
	18	9

Parts No.	Fig. No.	Ref. No.
28110-100130	64	3
28110-120140	64	4
28110-170190	64	5
28110-220240	64	6
28110-270300	65	18
28150-040000	65	19
28150-050000	65	20
28210-000031	65	21
28210-000070	65	22
28210-000080	70	1
28312-150750	65	23
29411-300000	60	2
	85	21
	86	20
41710-000380	80	3
41710-000410	56	2
	63	10
42222-003550	10	7
43400-500390	48	13
	49	13
	87	27
43400-500450	54	13
	87	28
43662-015020	72	1
43666-020951	72	4
45414-500260	78	1
46150-001110	81	5
		7
	82	6
	83	6
48110-032411	76	2
48110-032502	76	1
704507-92100	64	1
711100-51540	42	10
720445-44200	36	1
721450-11650	17	42
	18	37
721450-11660	17	48
	18	43
721500-14580	23	1
721500-53100	44	1
721500-61560	51	6
721550-02500	6	1
721550-02610	6	5
721550-02620	6	10
721550-02800	6	8
721550-02810	6	13
721550-23100	27	1
721550-23600	27	5
721575-01540	4	1

Parts No.	Fig. No.	Ref. No.
721575-11702	17	1
	18	1
721575-42500	33	4
724550-51520	42	9
728370-01610	3	1
728670-11521	19	1
728670-13500	21	1
728670-13501	21	1 -1
728670-92601	87	1
728671-01560	1	1
	2	1
728671-21700	24	1
	25	1
728671-22500	26	3
	85	5
	86	5
728671-51100	42	1
728671-92400	65	1
728671-92500	85	1
728690-44710	35	5
728691-92500	86	1
728695-43500	34	10
728695-44502	35	1
777099-02550	88	1
777099-03021	89	4
83213-003012	73	1
977782-00121	71	1
977782-00300	71	2
X0630412	66	23
X21142215	66	6
X21145866	66	22
X21201110	66	4
X21201115	66	3
X21201313	66	12
X21201605	66	19
X212026004	66	16
X21202601	66	17
X21202602	66	18
X212037002	66	20
X21204259	66	5
X21204302	66	9
X21204401	66	14
X21204810	66	21
X21205310	66	10
X21205400	66	13
X212063001	66	8
X21207100	66	2
X21207312	66	11
X21209311	66	7
X213065002	66	15

Parts No. Index

Parts No.	Fig. No.	Ref. No.
X6201SD	67	3
X6203BM	67	16
XL12013262	67	9
XL13513134	67	12
XL15014042	67	15
XL15018015	67	18
XL1501810	67	19
XL15028001	67	20
XL15542001	67	4
XL15553002	67	5
XL1556315	67	7
XL15571001	67	2
XL2251318	67	11
XL2253320	67	13
XL2253400	67	14
XL22553012	67	6
XL2255330	67	8
XL22555001	67	17
XTR1Z63	67	10

Parts No.	Fig. No.	Ref. No.
-----------	----------	----------

Parts No.	Fig. No.	Ref. No.
-----------	----------	----------

Parts No.	Fig. No.	Ref. No.
-----------	----------	----------